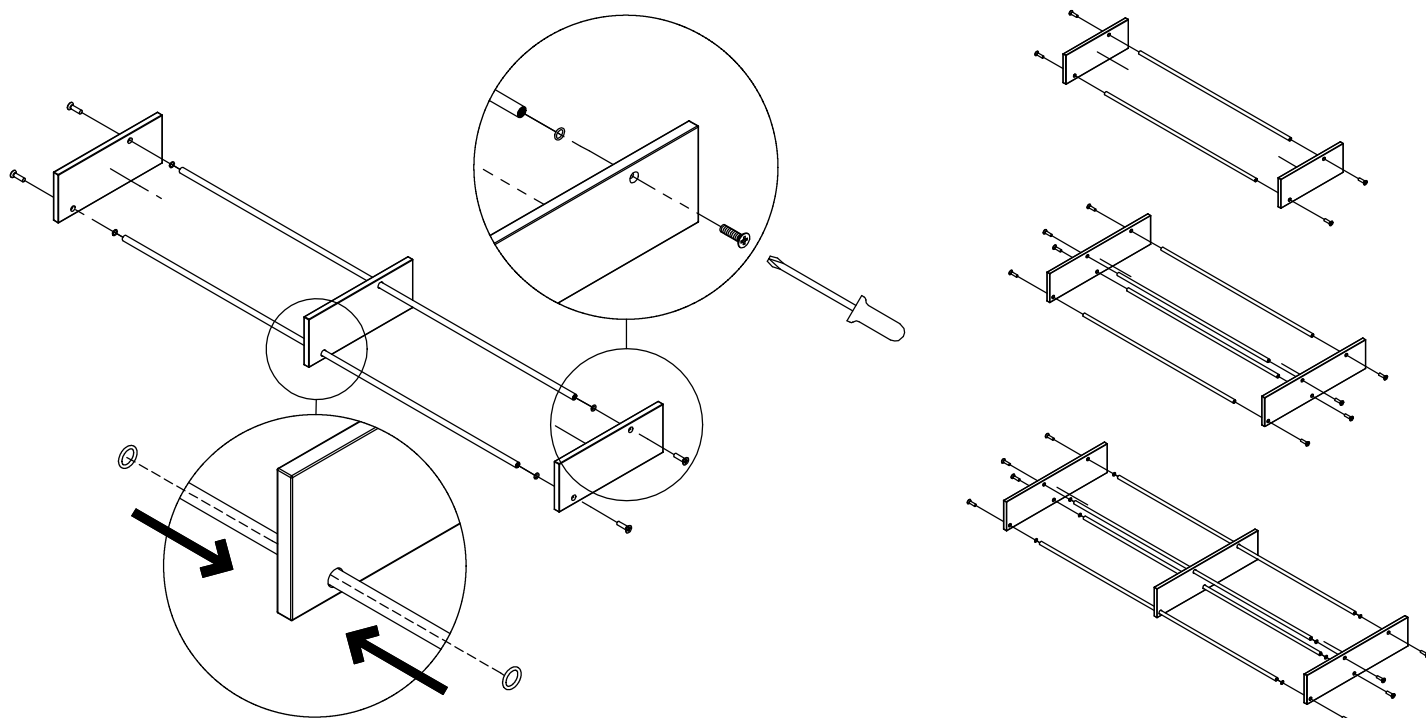
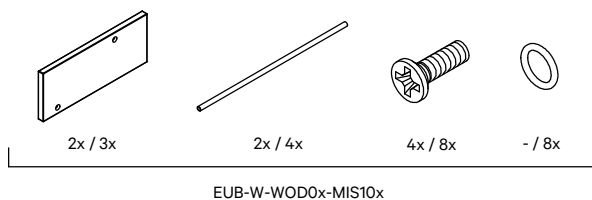


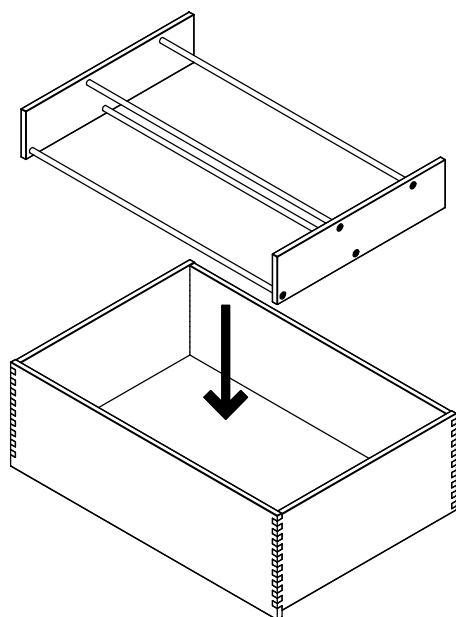
INSTRUCTION GUIDE

SHOE RACK



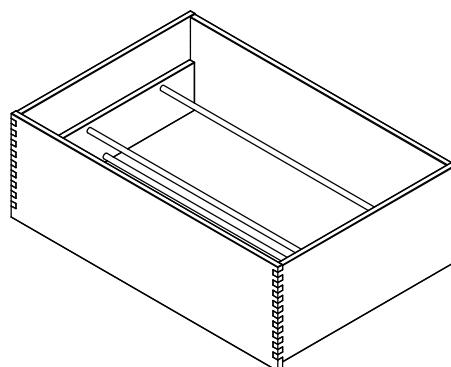
1

Assemble your shoe rack by connecting the metal rods to the wooden plate using screws. In case you have a wide shoe rack, use rubber rings to fix the middle part from both sides.



2

Insert the shoe rack inside a drawer.



3

You made it.