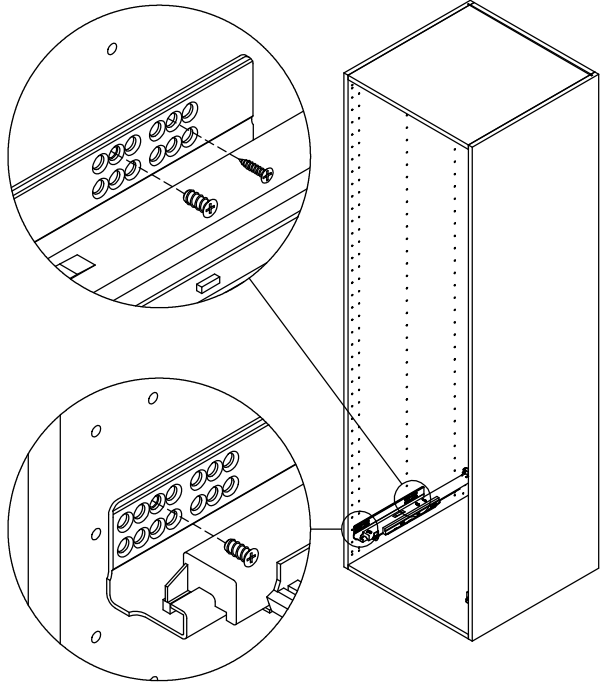
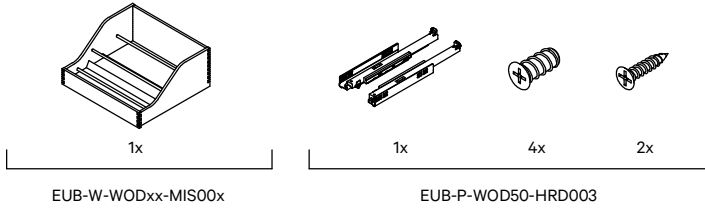
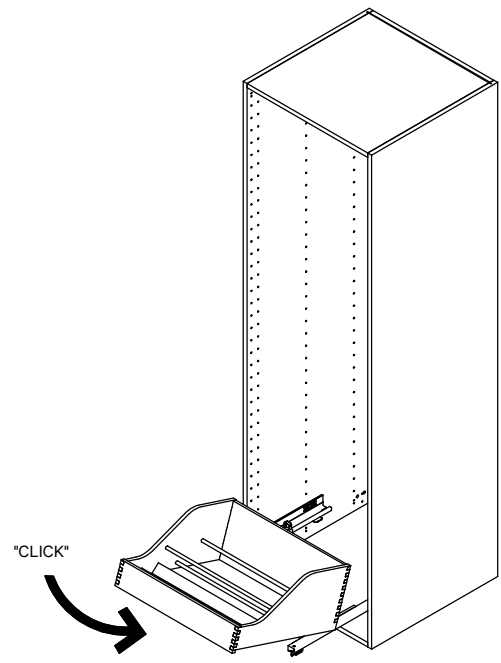


INSTRUCTION GUIDE

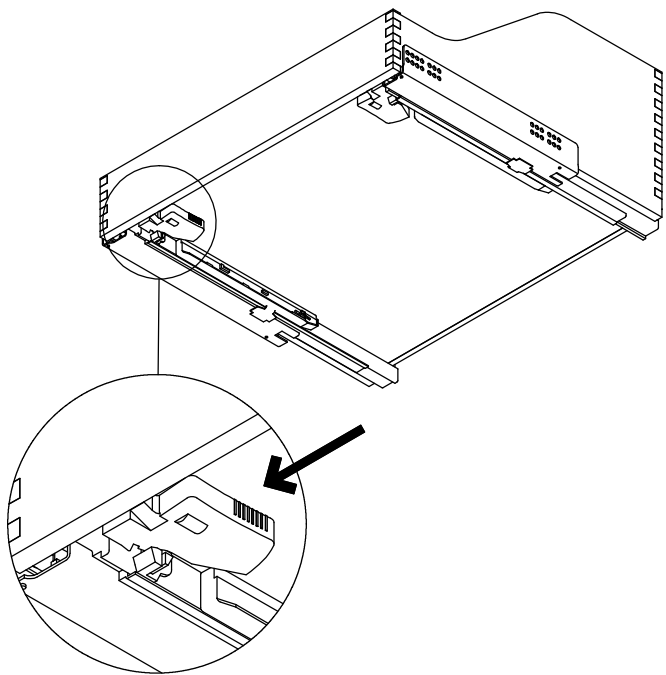
SHOE DRAWER



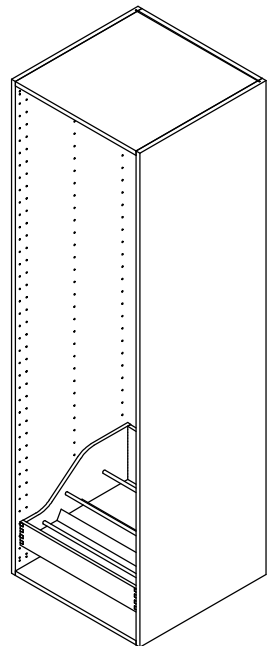
1
Install your drawer slides. Align the holes and screws as shown above. Ensure that your wardrobe interior does not collide with the door hinges.



2
Place the back of the trousers hanger onto the drawers slides and push it into the cabinet until you hear a click.



3
To remove the shoe drawer, press on the two orange levers simultaneously and lift it up.



4
You made it.