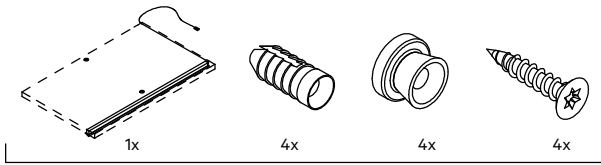
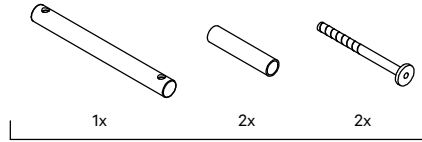


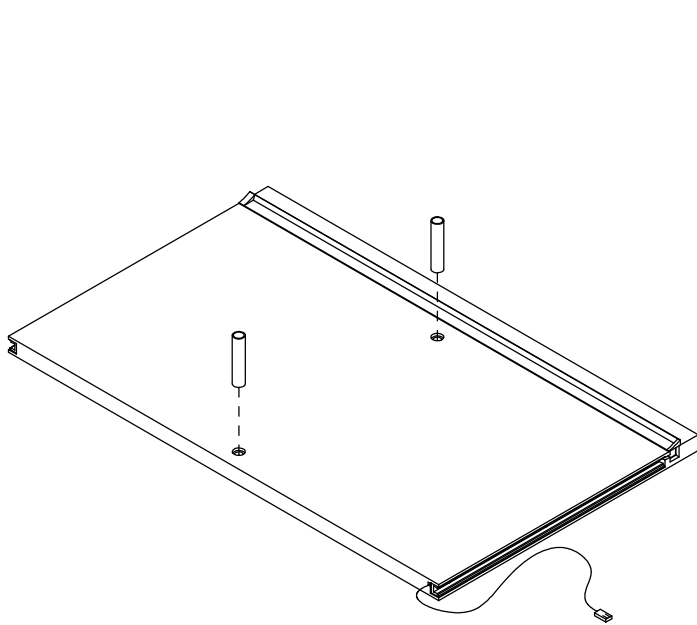
SHELF WITH CLOTHING ROD AND INTEGRATED LINEAR LIGHT



EUB-C-CABxx-SLF8xx

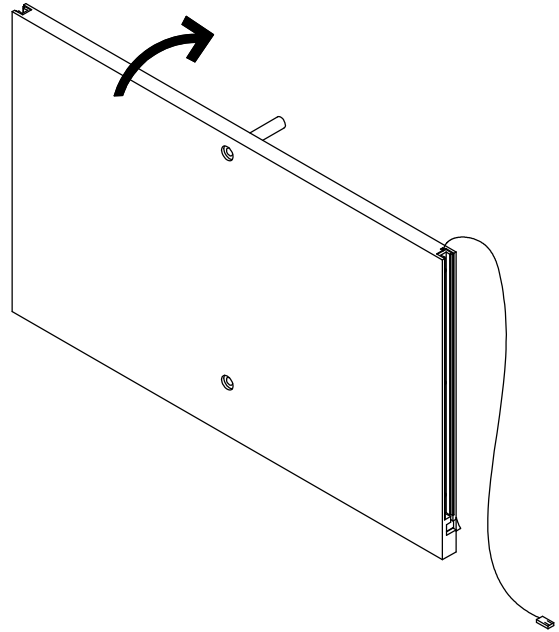


EUB-W-WODxx-MIS007



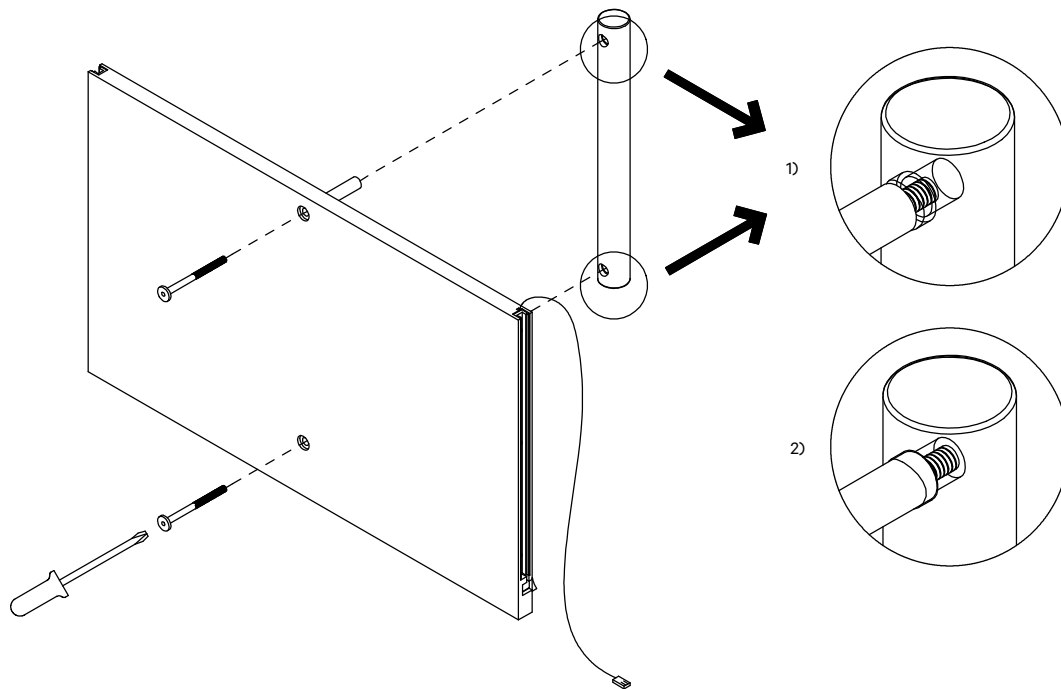
1

Identify the bottom side of the shelf by the integrated linear light. Then firmly press the tubes in the shelf.



2

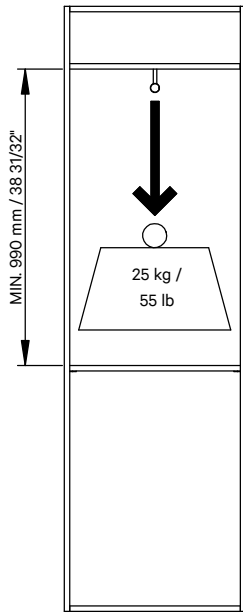
Lift the shelf on one side.



3

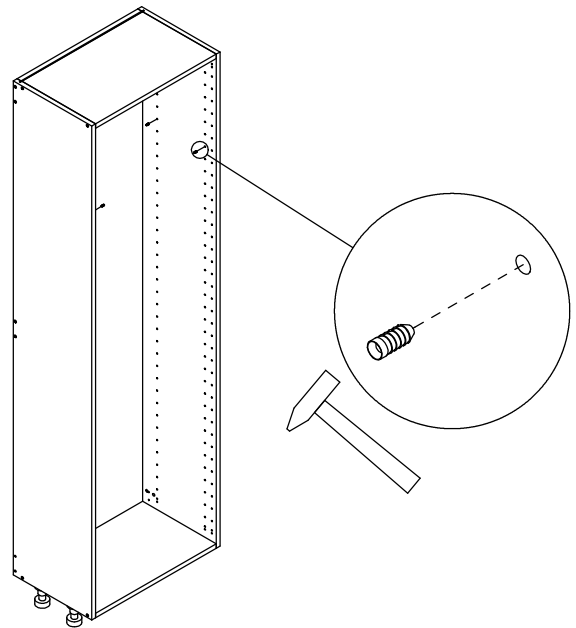
To avoid misalignment, first, screw both screws halfway in and only then screw them all the way in.

SHELF WITH CLOTHING ROD AND INTEGRATED LINEAR LIGHT



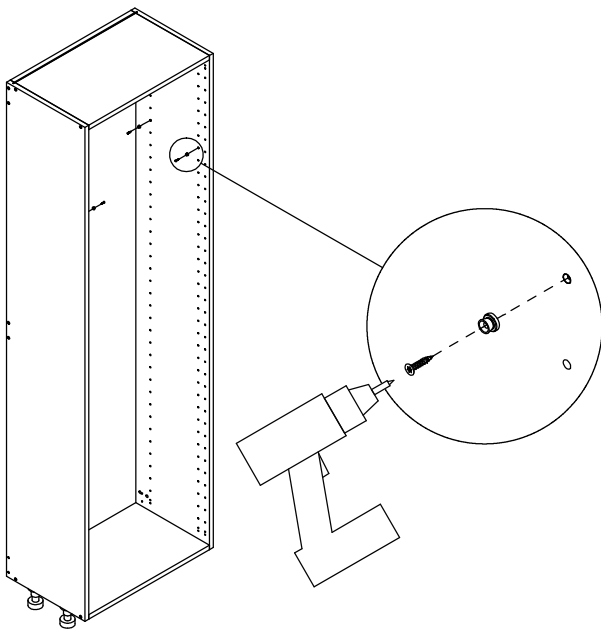
4

Measure the space required for the clothing rod. Do not install the doors before the shelf is in place. Consider hinge placement when planning the location of your shelf.



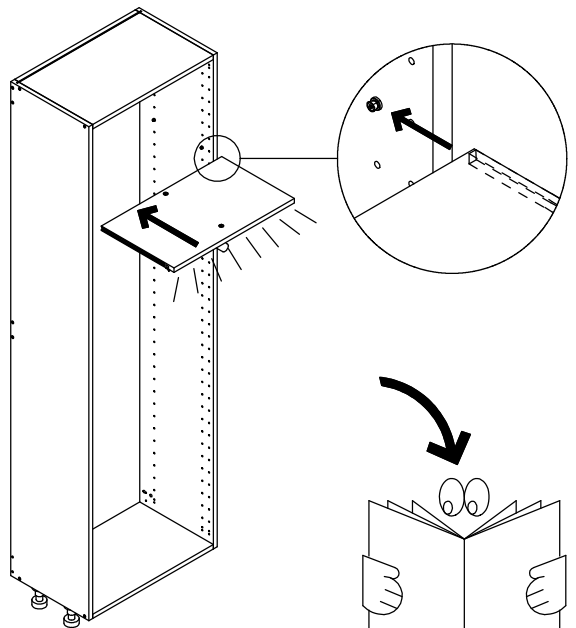
5

Knock in the bushings to your desired height by using a hammer .



6

Fasten the screw through the plastic sleeve.



7

Slide the shelf onto the plastic sleeves.
Follow the linear light installation guide to root the wire.