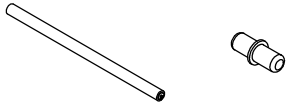


INSTRUCTION GUIDE

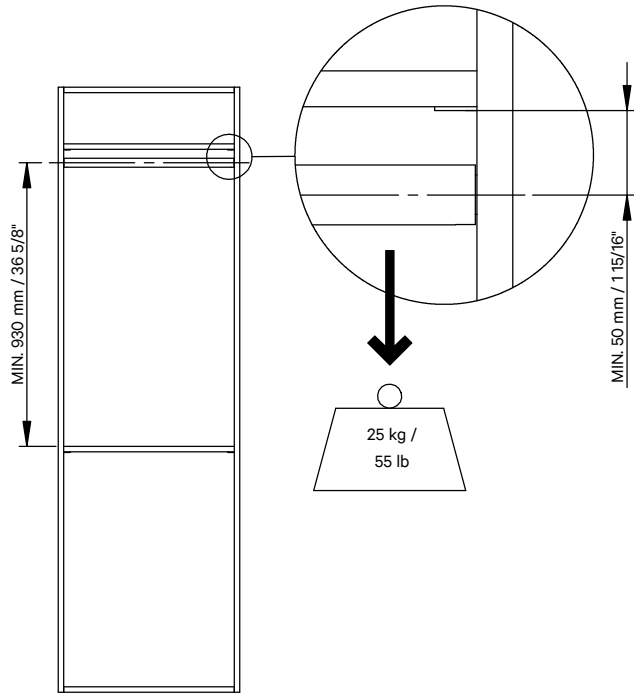
CLOTHING ROD



1x

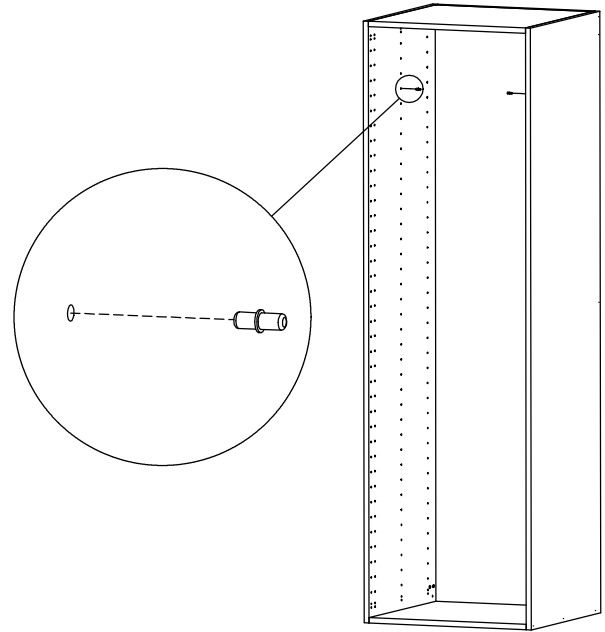
2x

EUB-W-WODxx-MIS00x



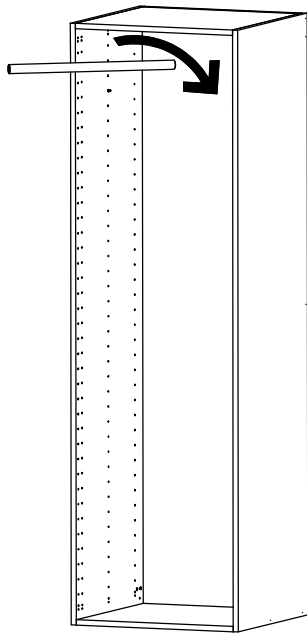
1

Measure the space required for the clothing rod.



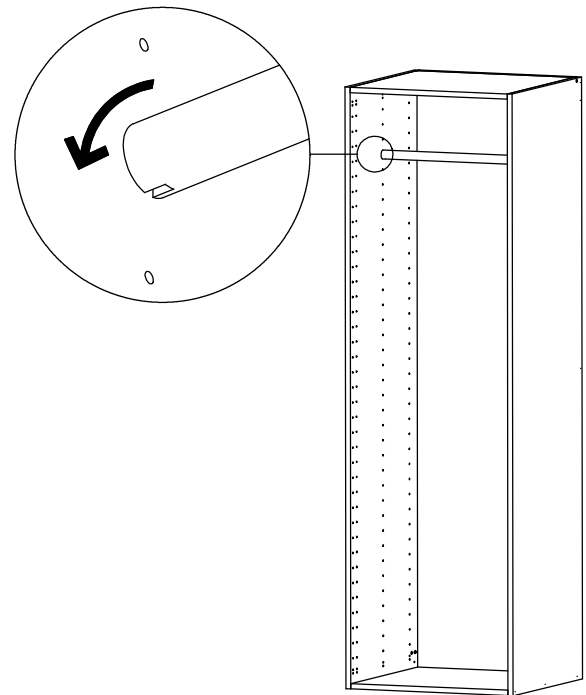
2

Place the hanger pins at your desired height.



3

Move the clothing rod into the cabinet and carefully press it in place.



4

Turn the clothing rod until you can no longer see the pin cutout.