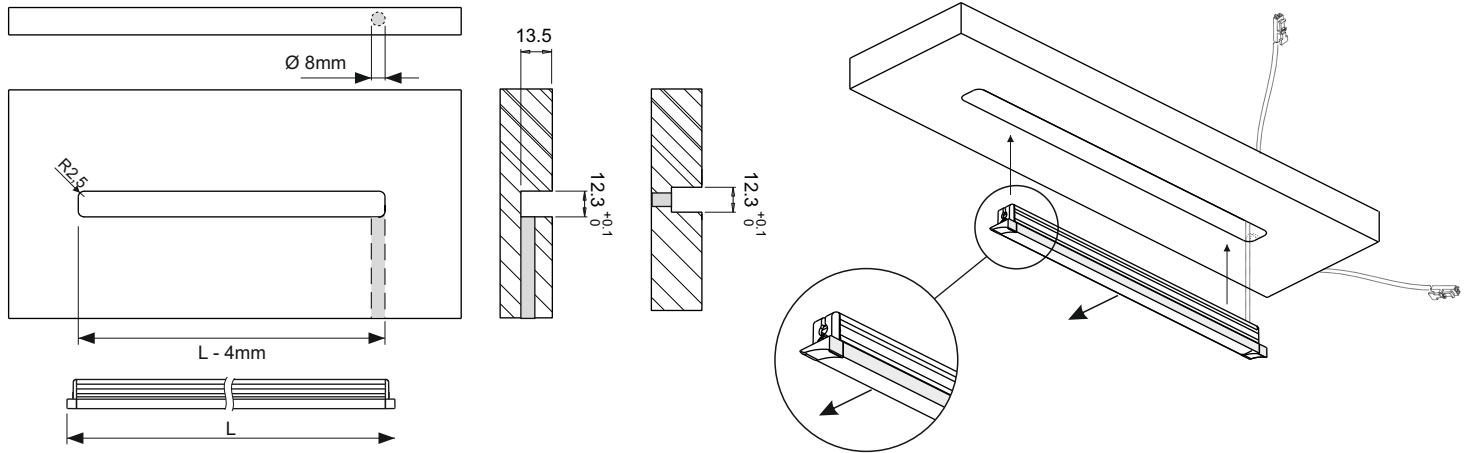
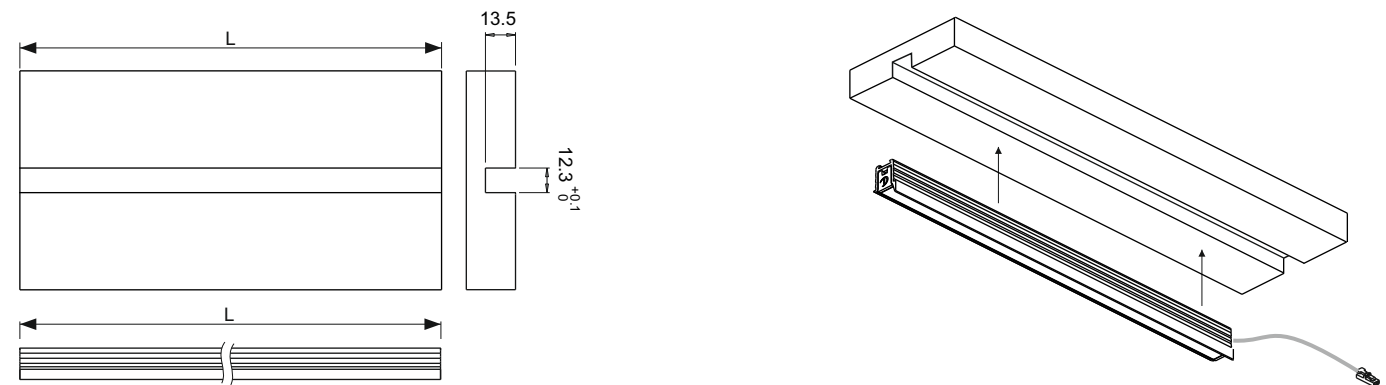




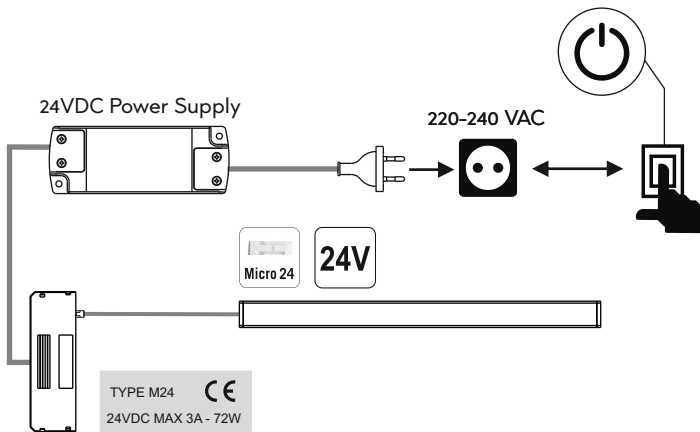
LAB



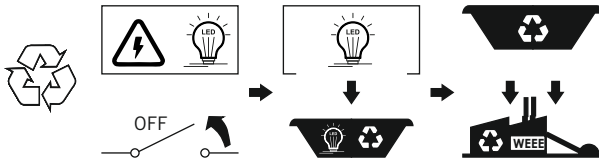
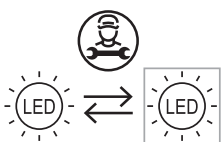
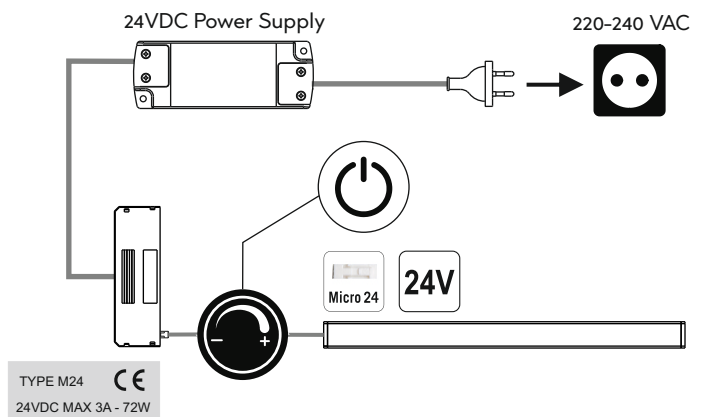
LAB HI (IR)



LAB (HI)



LAB (HI)



LAB HI



LAB

LAB HI IR

LAB HI IR

LAB HI IR

	H max.	H min.
wood	250mm	0mm
plexyglass	120mm	0mm
black glossy	100mm	2mm
glass	40mm	0mm

LAB HI **LAB**