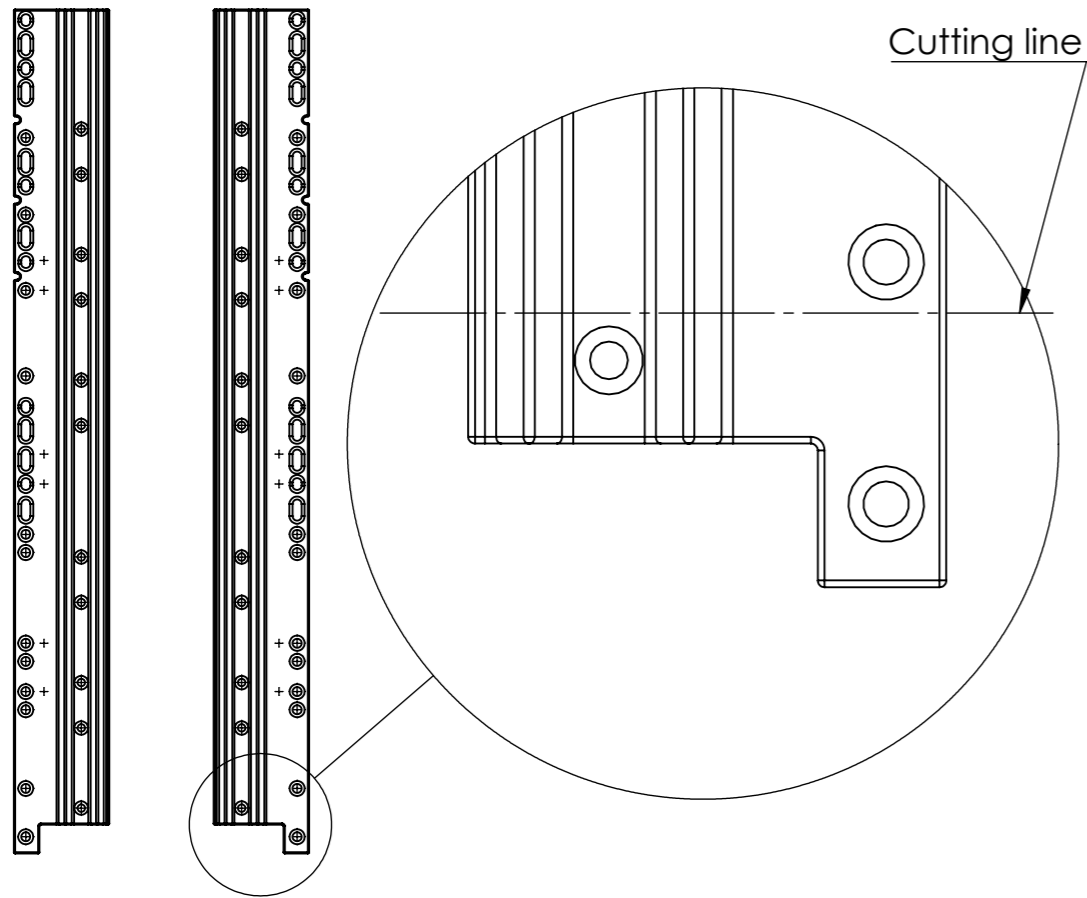
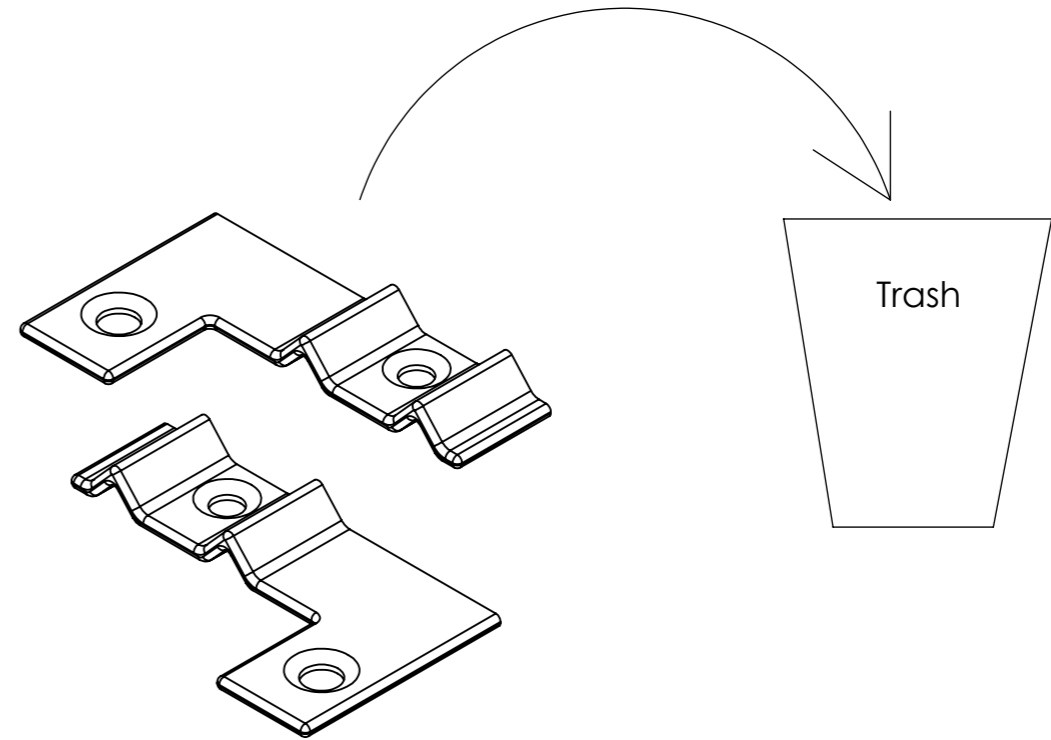


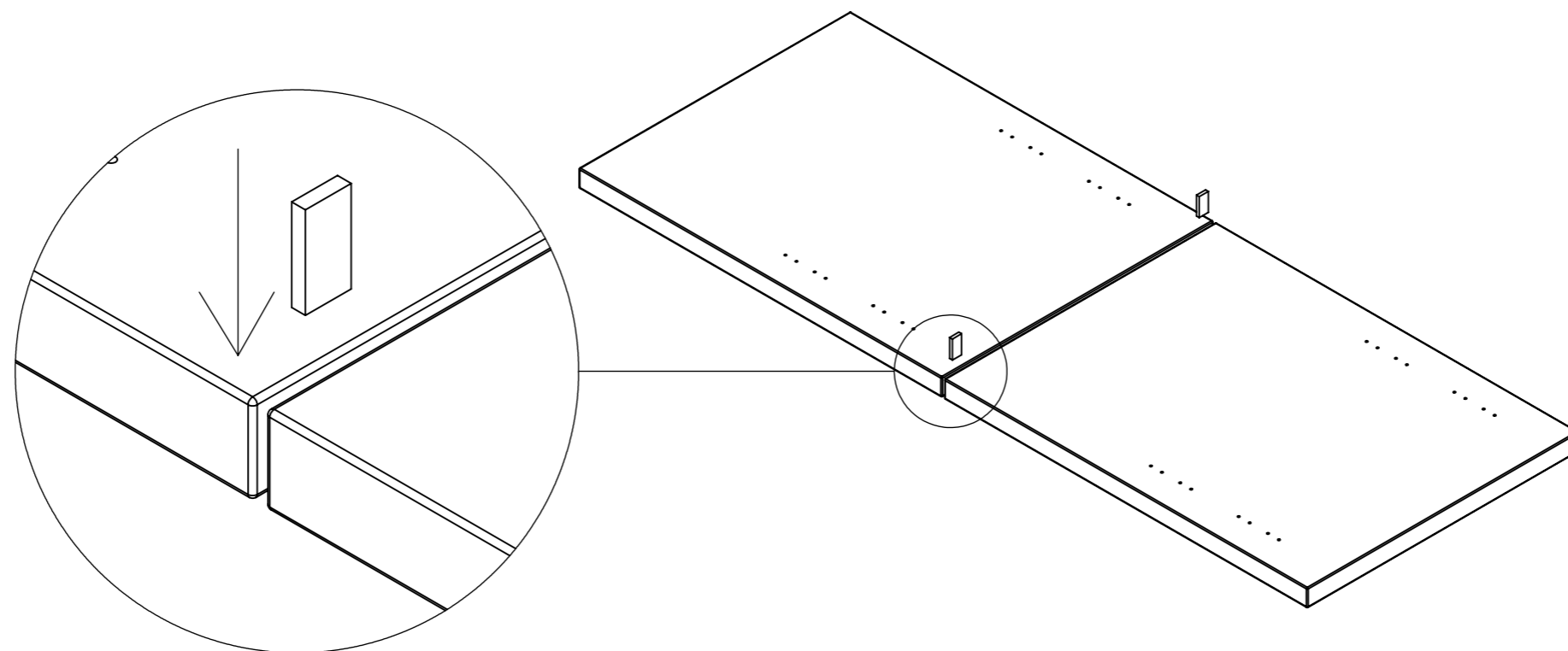
1. Both metal support brackets needs to be cut to size.
See below cutting line.
Use an angle grinder, jigsaw (with cutting blade for steel) or hacksaw.



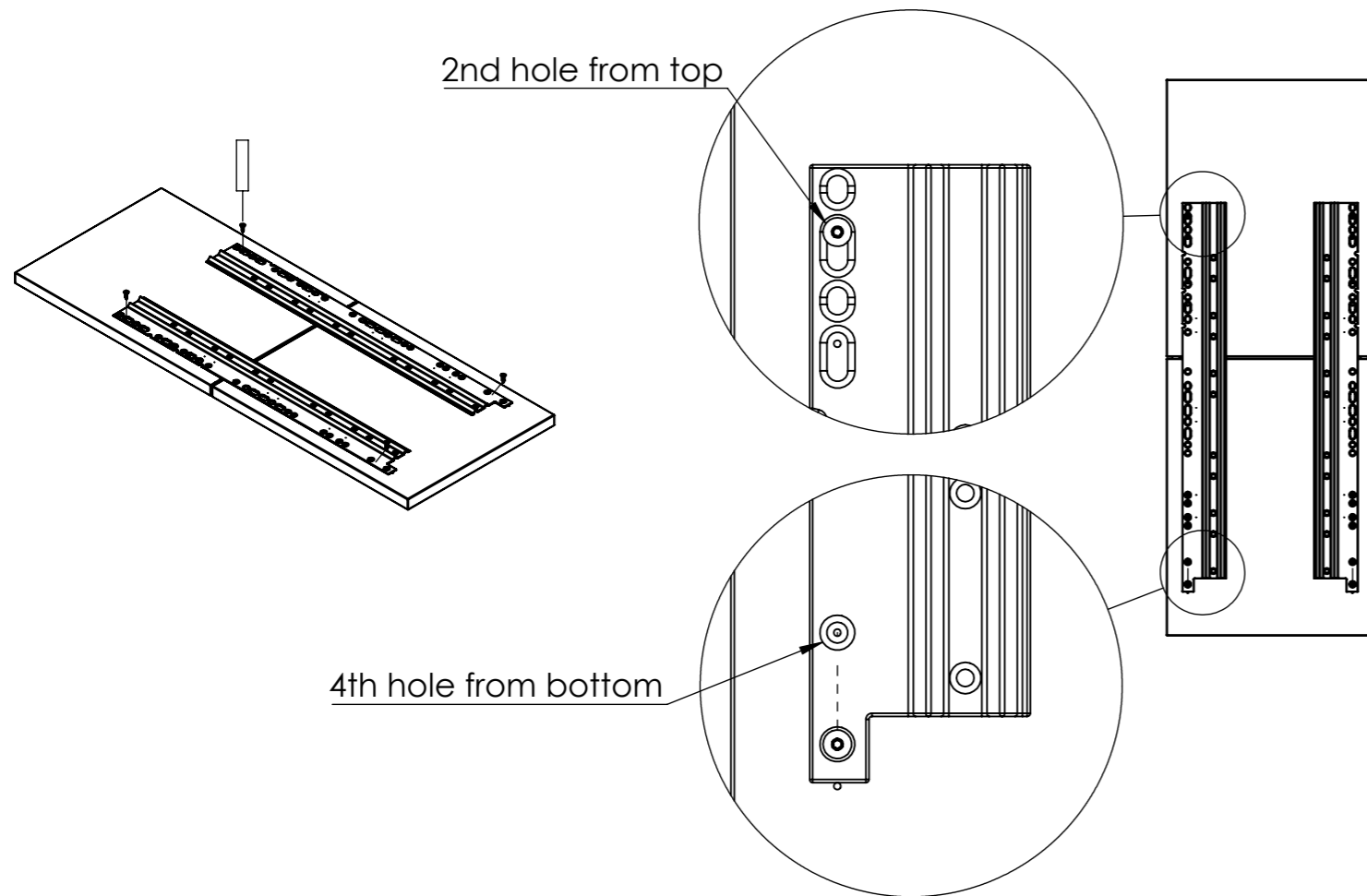
2. Discard the small leftover metal piece.



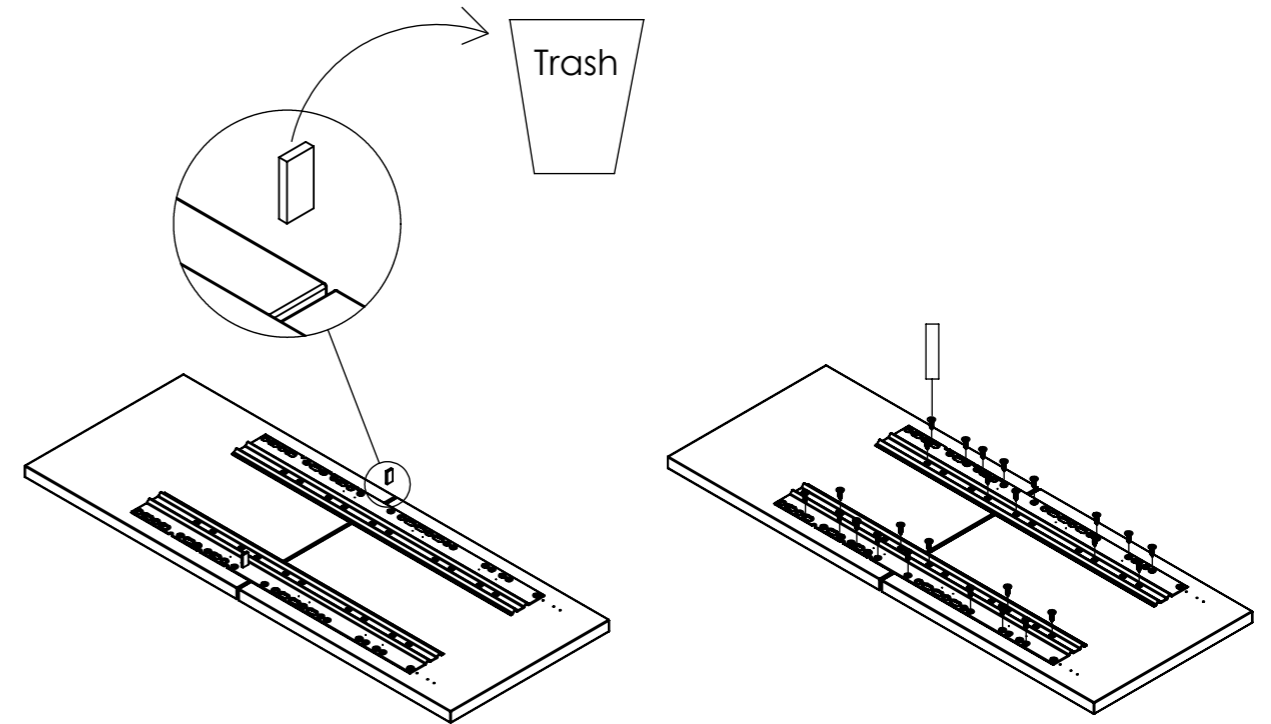
3. Place the 2 fronts on a soft surface, and align them using the distancing shims.



4. With the distancing shims still in place; align and fasten the metal support brackets. The metal support brackets should be aligned like shown below.



5. Remove and discard the distancing shims. Now you can fasten the remaining 26 screws distributed evenly across the metal support brackets



Now you can continue with the guide included with the Dispensa Junior Slim



Dispensa Junior Slim Pullout

