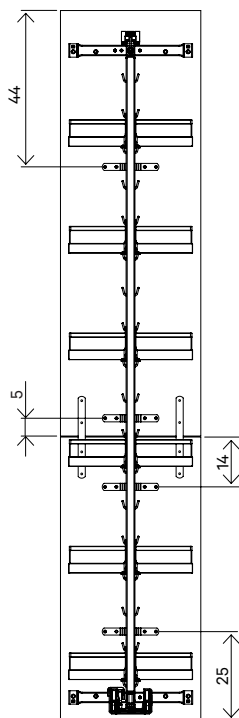
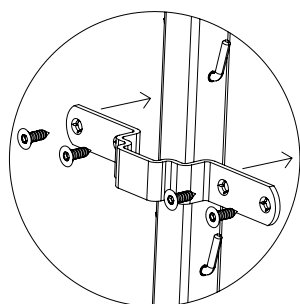
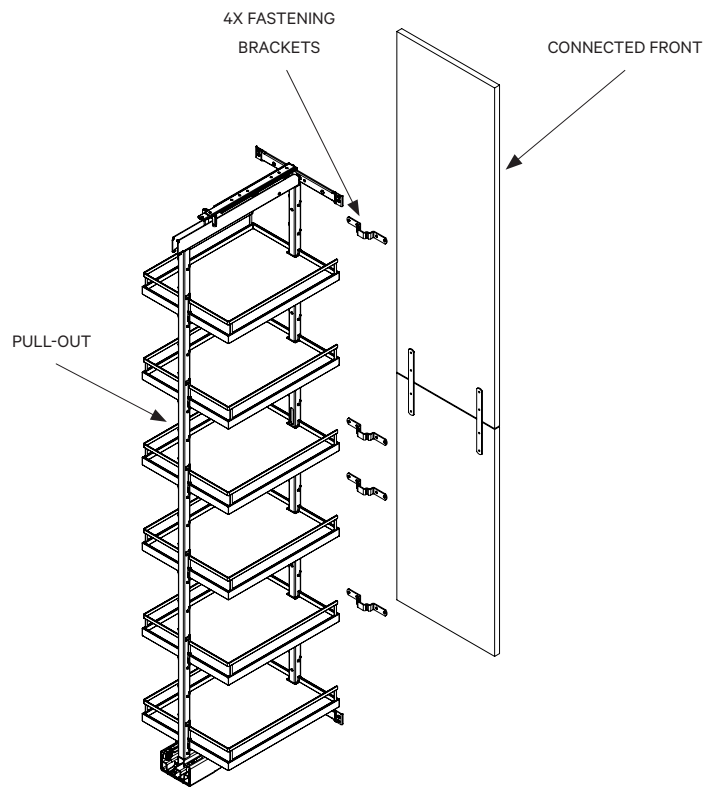
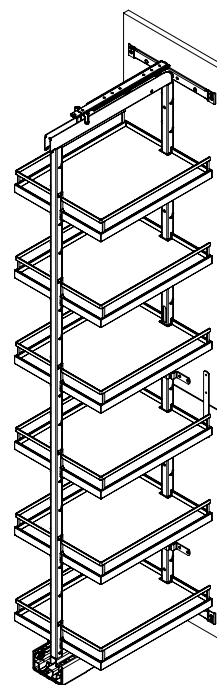


BEFORE CONTINUING WITH THIS GUIDE,
PLEASE COMPLETE THE FOLLOWING GUIDES:

- A: DISPENSA VVS-X (SKU: MA 402053 0000)
- B: CONNECTING TWO FRONTS (SKU: UNI-D-GEN99-DOC110)



FASTEN THE BRACKETS ONTO THE FRONT USING THE INCLUDED SCREWS. YOU CAN USE THE MEASUREMENTS ON THE DRAWING AS A GUIDELINE—ALTHOUGH THEY DON'T NEED TO BE PRECISE. MEASUREMENTS ARE IN CM.



FINISHED PRODUCT

*PLEASE NOTE, THAT THE PLACEMENT OF THE BRACKETS MIGHT INTERFERE WITH YOUR DESIRED SHELF PLACEMENT. IF SO, YOU SHOULD MOVE THE BRACKETS TO ANOTHER POSITION.