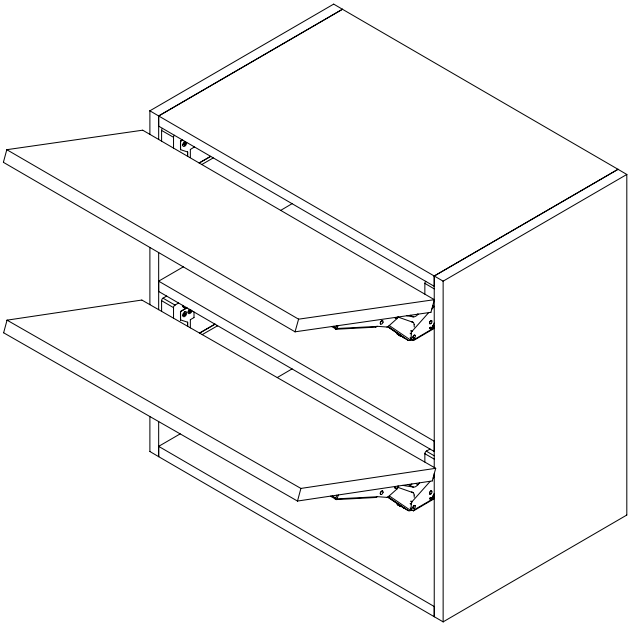
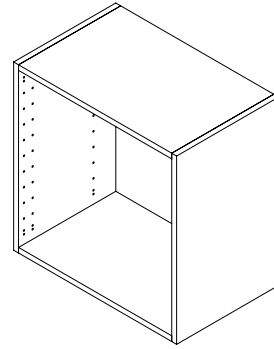
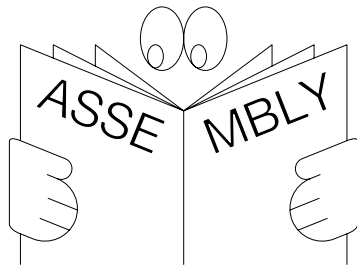


INSTALLATION GUIDE

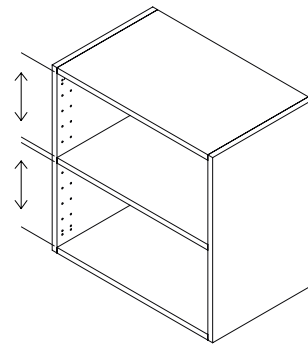
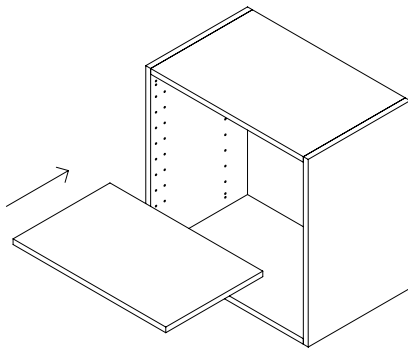
TOP HINGED FRONTS





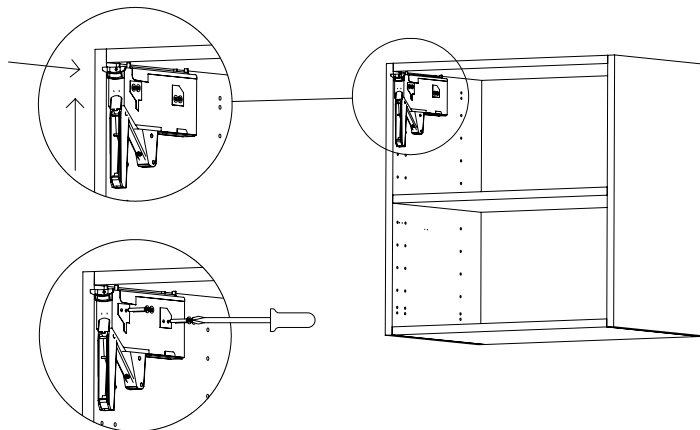
1

BEFORE THE INSTALLATION OF THE FRONTS CAN TAKE PLACE, ALL CABINETS NEED TO BE ASSEMBLED. PLEASE FIND INSTRUCTIONS ON ASSEMBLING THE CABINETS IN THE WALL CABINET ASSEMBLY GUIDE.



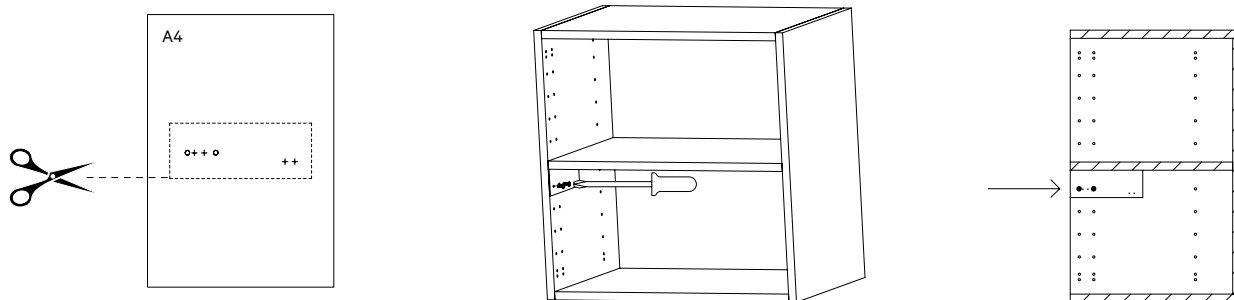
2

INSERT SHELF HOLDERS INTO THE PRE-DRILLED HOLES INSIDE THE CABINET AND INSTALL THE SHELF. MAKE SURE TO USE THE HOLES THAT ARE EXACTLY MID-HEIGHT OF THE CABINET.



3

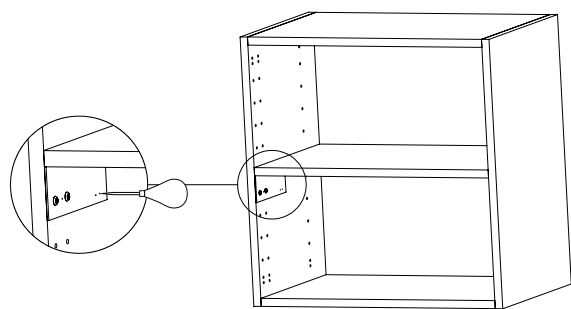
FASTEN A HINGE TO EACH SIDE OF THE CABINET WITH 2X CHIPBOARD SCREWS. MAKE SURE TO USE THE YELLOW PLASTIC PIECE TO ALIGN THE HINGES WITH THE SIDES AND TOP OF THE CABINET BEFORE FASTENING.



NOTE:
For this step, you need to cut out the template from the last page of this guide.

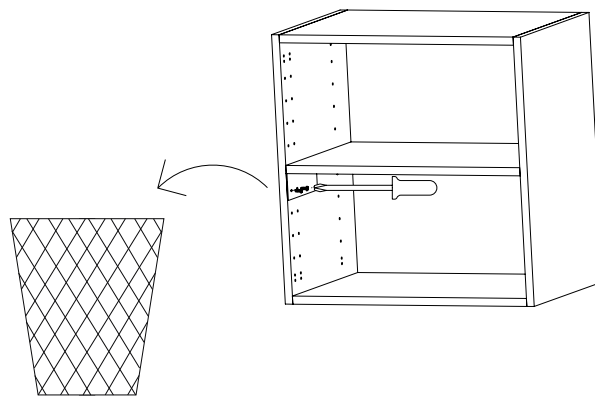
4

THE HINGES FOR THE LOWER PART OF THE CABINET NEED TO BE FASTENED TO THE SIDE A BIT BELOW THE SHELF AND FOR THIS YOU NEED A TEMPLATE TO GET THE POSITION RIGHT. CUT OUT THE TEMPLATE FROM THE LAST PAGE OF THIS GUIDE, AND HOLD IT UP AGAINST THE SIDE OF THE CABINET. MAKE SURE IT IS ALIGNED WITH THE EDGE AND FASTEN THE TEMPLATE WITH 2X CABINET SCREWS.



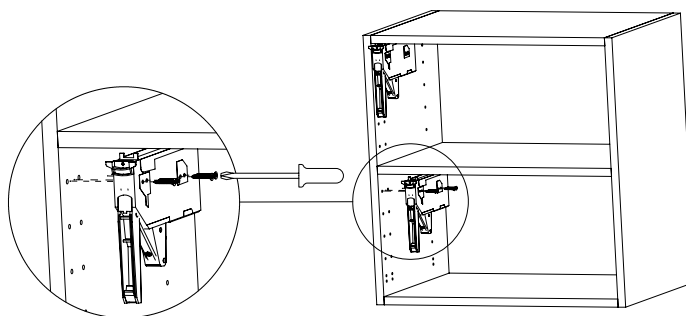
5

MARK THE POSITIONS FOR THE CHIPBOARD SCREWS ON THE TEMPLATE AND ONTO THE SURFACE OF THE SIDE OF THE CABINET USING A CENTER PUNCH OR A SIMILAR TOOL.



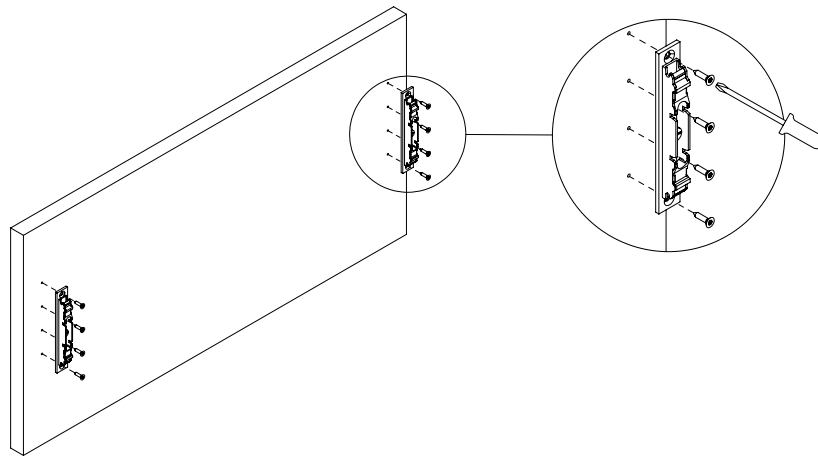
6

UNSCREW THE TEMPLATE AND DISCARD IT ALONG WITH THE CABINET SCREWS.



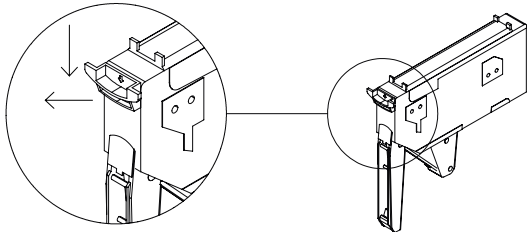
7

THE HINGE CAN NOW BE FASTENED TO THE SIDE OF THE CABINET WITH CHIPBOARD SCREWS. MAKE SURE THE HINGE IS ALIGNED WITH THE EDGE AND THE MARKINGS FROM THE CENTER PUNCH. REPEAT ON THE OPPOSITE SIDE OF THE CABINET.



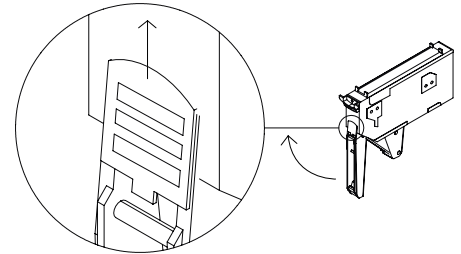
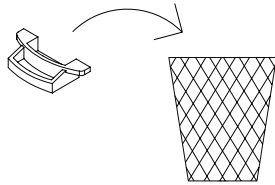
8

NOW FASTEN THE HINGE BRACKETS TO THE FRONT YOU WANT TO CONNECT TO THE HINGE BY INSERTING THE SHORT WOOD SCREWS INTO THE PRE-DRILLED HOLES.



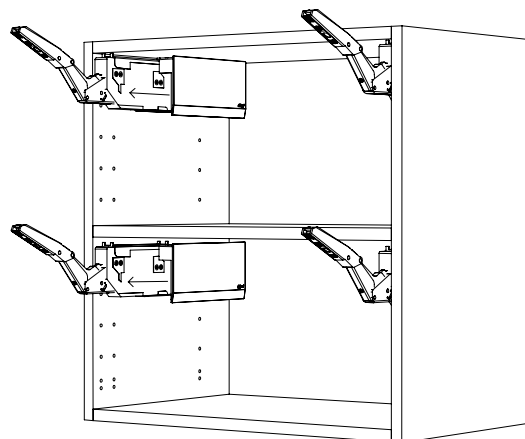
9

REMOVE AND DISCARD THE YELLOW SAFETY PIECE FROM THE HINGE.



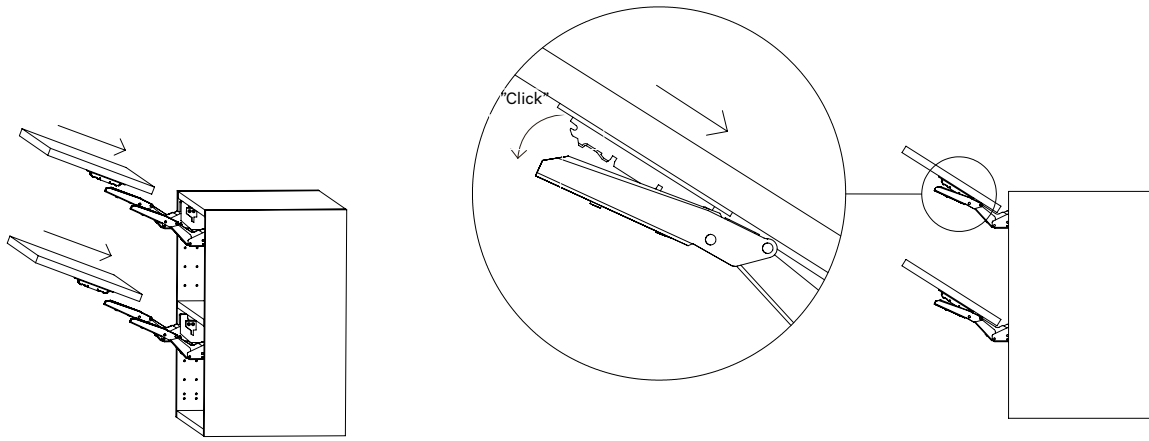
10

WHILE PUSHING UP ON THE ORANGE PLASTIC PIECE, PULL OUT THE HINGE MECHANISM. BE CAREFUL WHEN WORKING WITH THE HINGES, AS THE MECHANISM MAY OPEN UNEXPECTEDLY AND WITH BIG FORCE.



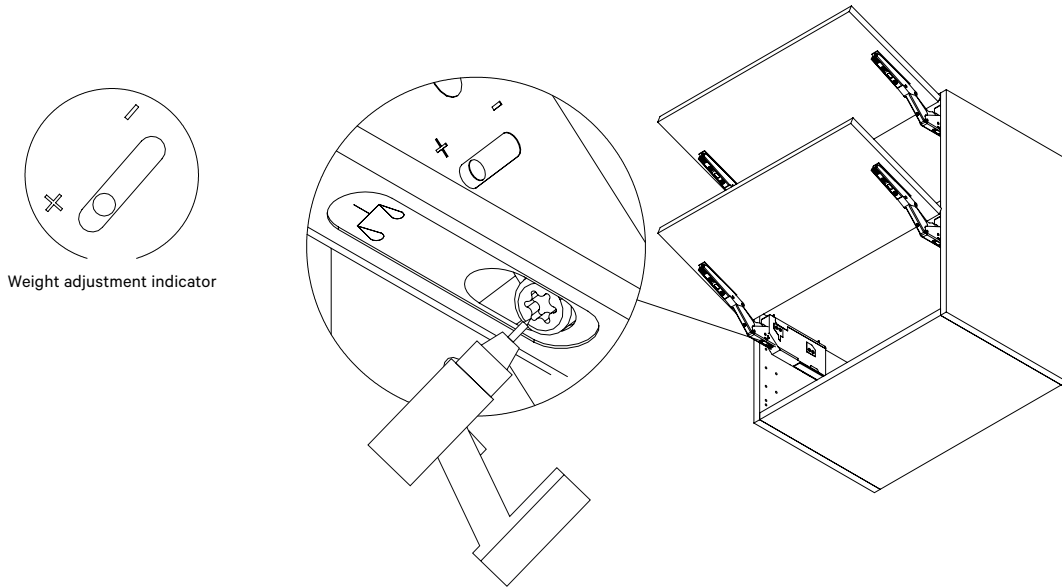
11

INSTALL THE HINGE COVERS ONTO THE HINGES.



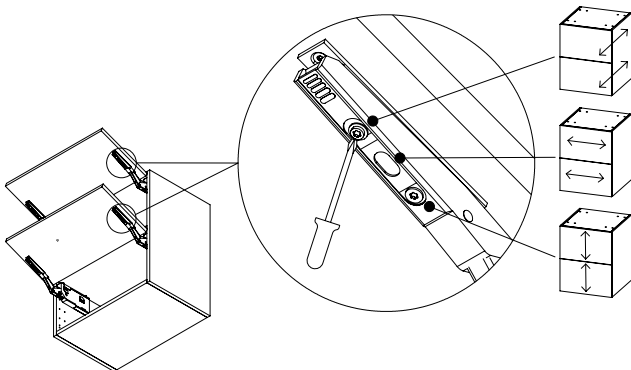
12

ALIGN THE HINGE BRACKETS ON THE FRONTS WITH THE OPEN HINGES AND PRESS THEM IN PLACE UNTIL YOU HEAR A CLICK.



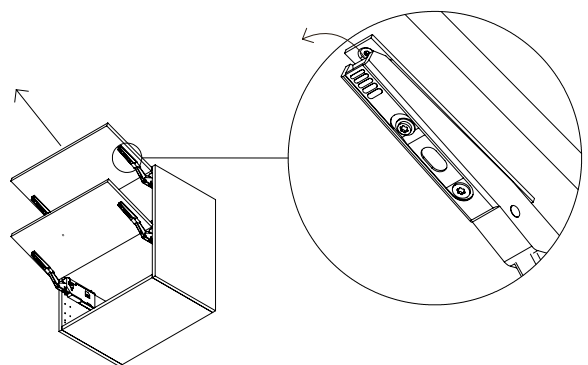
13

FOR THE HINGES TO OPEN PROPERLY, THE HINGES NEED TO BE ADJUSTED TO THE WEIGHT OF THE FRONTS. SCREW TO ADJUST THE HINGE AS SHOWN IN THE IMAGE.



14

FINAL ALIGNMENT OF THE FRONTS IS DONE BY HAND.



15

IN CASE YOU NEED TO DETACH THE FRONTS FROM THE HINGES, SIMPLY PULL THE TIP OF THE HINGE.

