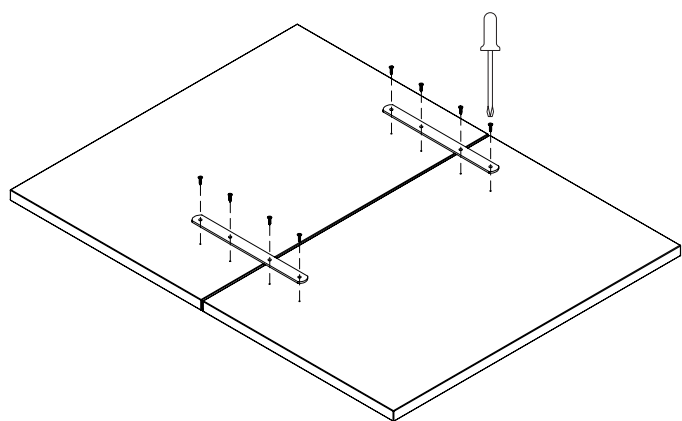


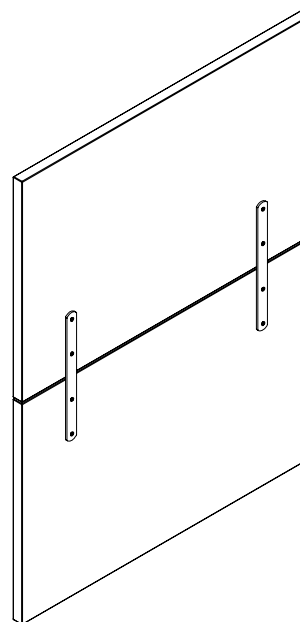
1

MEASURE AND MARK THE POSITION OF THE SCREWS DEPENDING ON THE WIDTH OF YOUR FRONTS. ALL DIMENSIONS ON THE ILLUSTRATION ARE IN MM.



2

FASTEN THE FRONT CONNECTOR ONTO THE FRONTS WITH SCREWS.



FINISHED PRODUCT