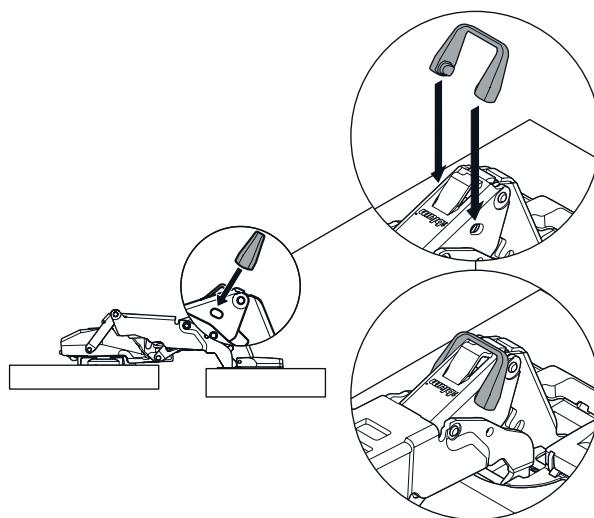
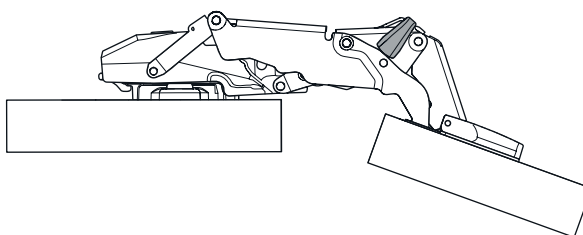


FOR ALL DOORS WITH A THICKNESS ABOVE 21MM, YOU NEED TO LIMIT THE OPENING ANGLE OF THE 155 DEGREE HINGES TO 90 DEGREES USING THE INCLUDED ANGLE-STOP BRACKET



INSTALL THE ANGLE STOP BRACKET, SIMPLY BY PRESSING IT ON LIKE SHOWN ABOVE.



AFTER INSTALLATION, THE OPENING ANGLE OF THE HINGE IS NOW LIMITED TO 90 DEGREES