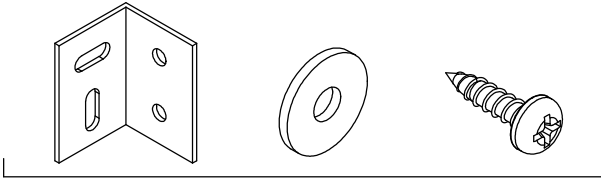
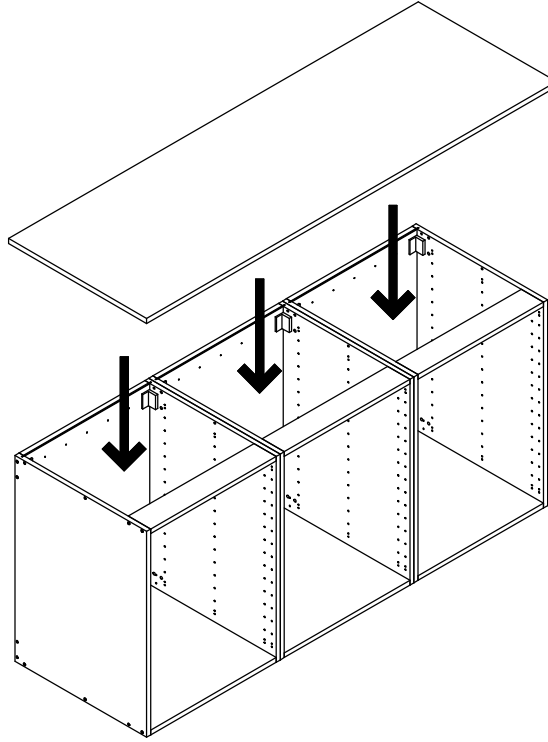


INSTRUCTION GUIDE

COUNTERTOP ANGLED BRACKET

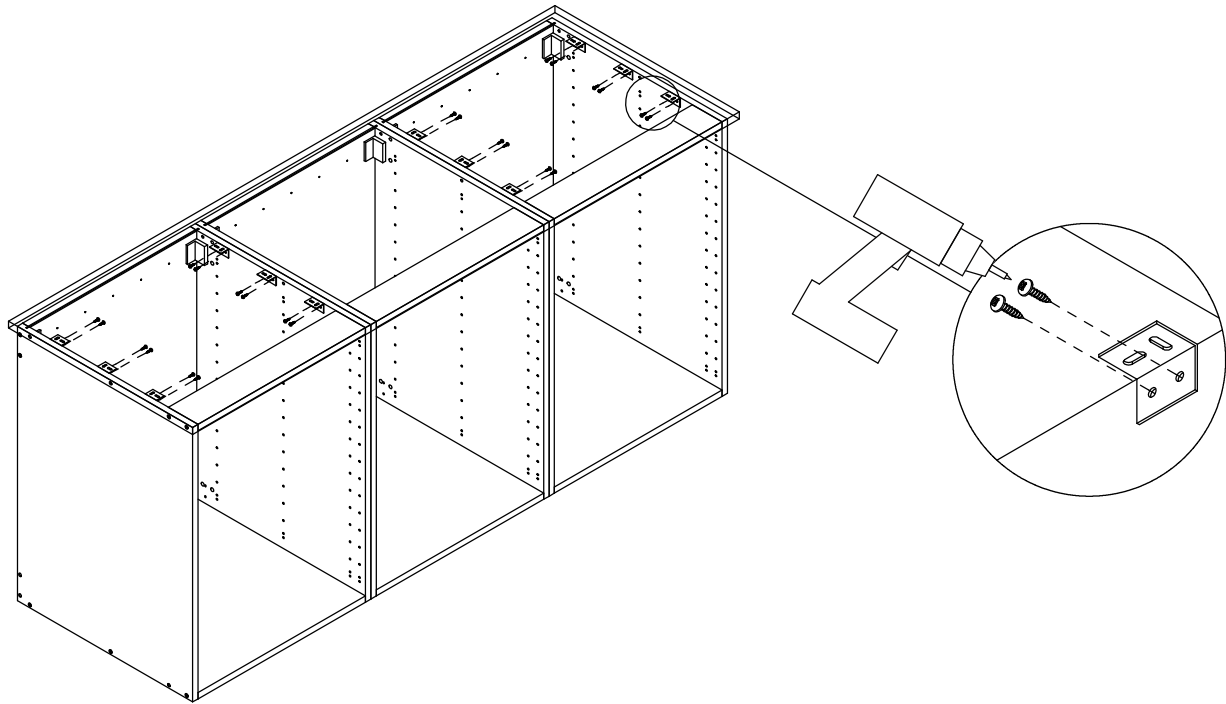


FPACK-WTP92-HRD001



1

Place the countertop on top of your base cabinets.

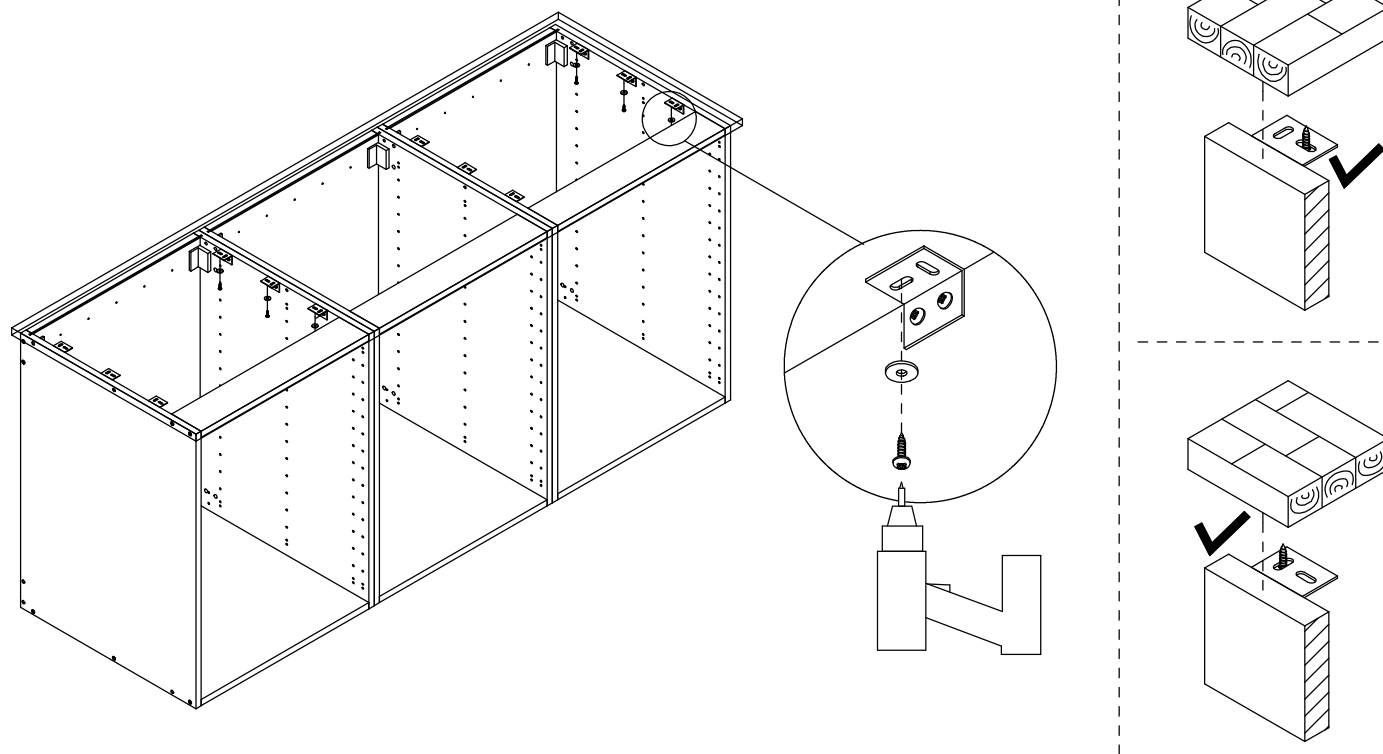


2

Screw the brackets to the cabinet side using 2 round holes. Use 3 brackets per one cabinet wall. Always add brackets to the end cabinets.

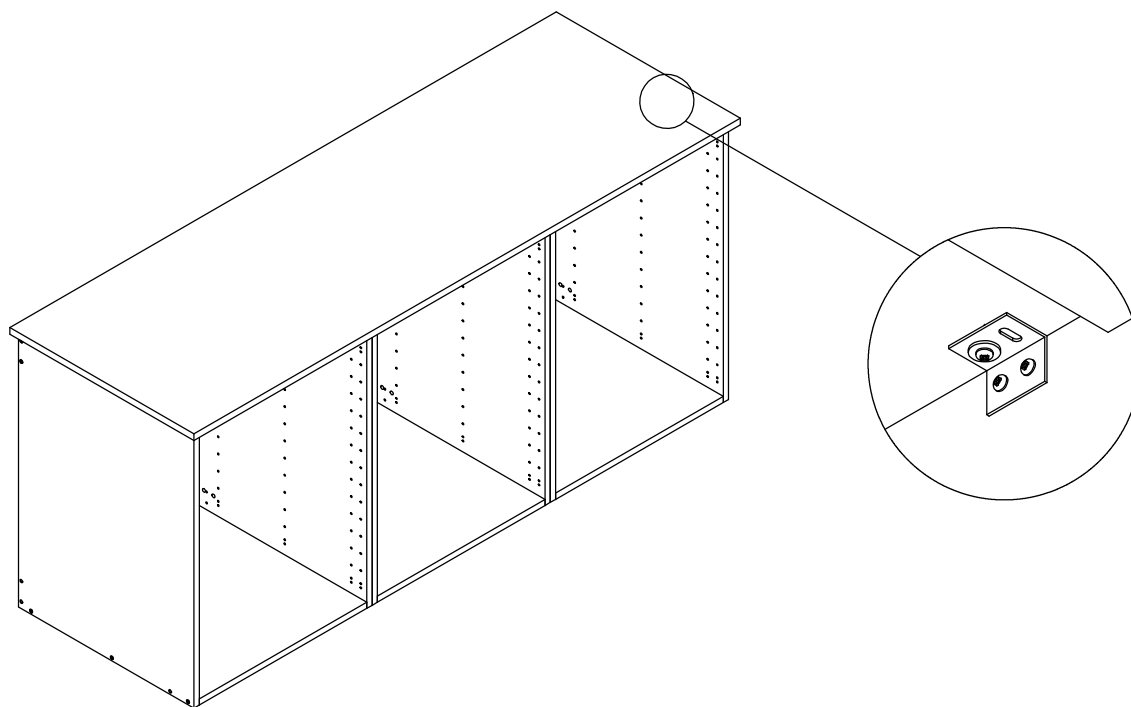
INSTRUCTION GUIDE

COUNTERTOP ANGLED BRACKET



3

Screw the washer and screw to the countertop. NB! For solid wood countertops be certain to use the hole perpendicular to the grain direction of the countertop.



4

You made it.