

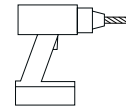
## INTRODUCTION

These "REKØL" hinges should be used for built-in fridges. They have a limited opening angle, and are possible to adjust after the fridge has been fully installed.

### Tools you will need



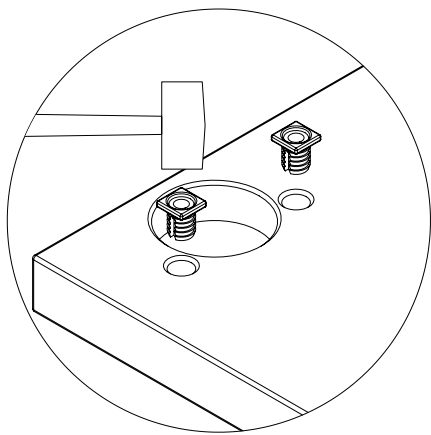
SCREWDRIVER  
PH 2



ELECTRIC DRILL  
2MM DRILL BIT

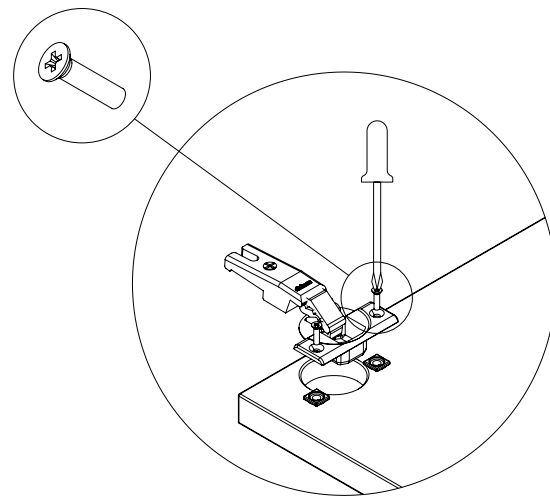


MEASURING TAPE



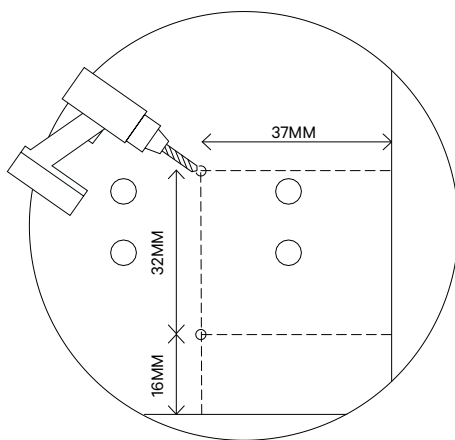
1

INSERT THE PLASTIC DOWELS INTO THE DOOR'S  
PRE-DRILLED HOLES WITH A HAMMER.



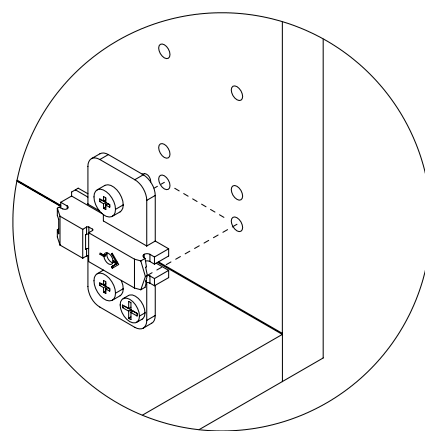
2

PRESS THE 95 DEGREE HINGES INTO THE DOOR AND FASTEN  
THEM USING THE SCREWS WITH FLAT TIPS.



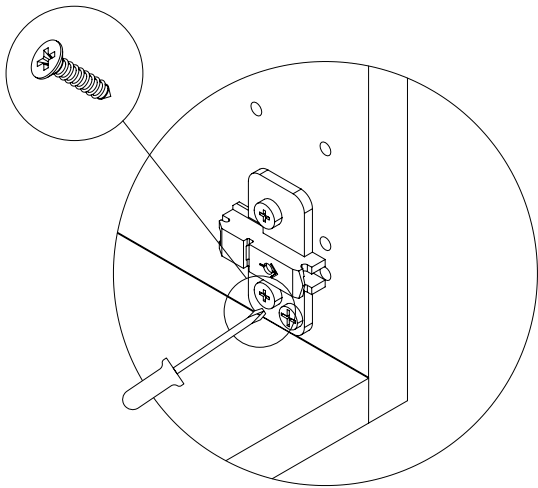
3

PREDRILL THE FASTENING HOLES WITH A 5MM DRILL  
BIT. THE HOLES SHOULD BE APPROXIMATELY 10MM IN  
DEPTH

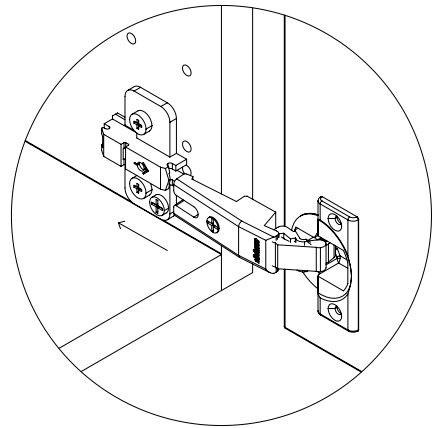


4

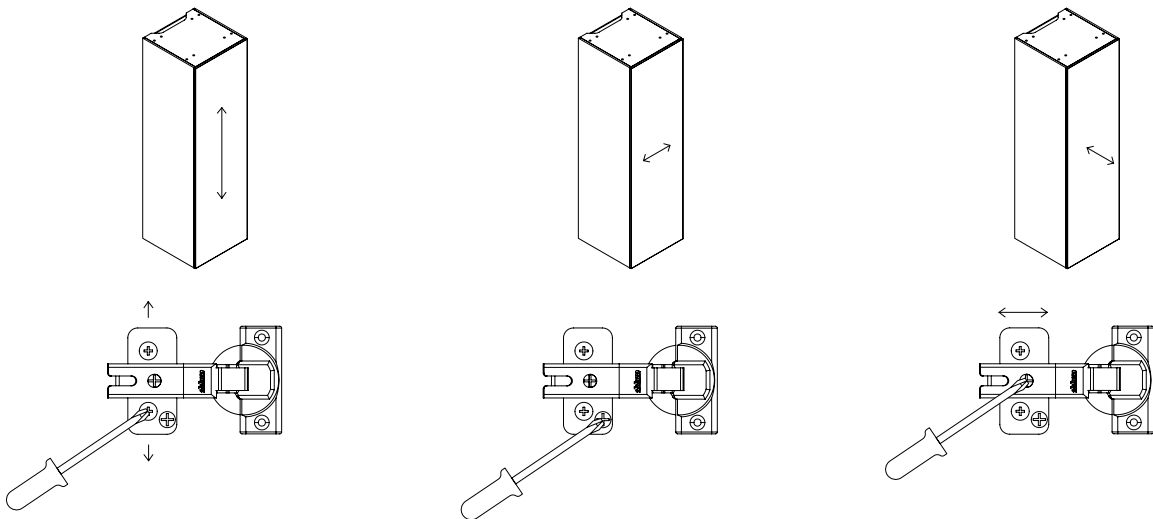
MAKE SURE THAT THE ARROW ON THE FASTENING BRACKET LINES UP WITH THE HOLES.  
NOTE THAT THE SCREWS WILL NOT FIT INTO ANY OF THE PRE-DRILLED HOLES.



5  
INSTALL THE FASTENING BRACKET USING  
THE SELF-TAPPING SCREWS.



6  
INSTALL THE DOOR.



7  
ADJUST THE DOOR BY TURNING THE SCREWS ON ALL THE HINGES.