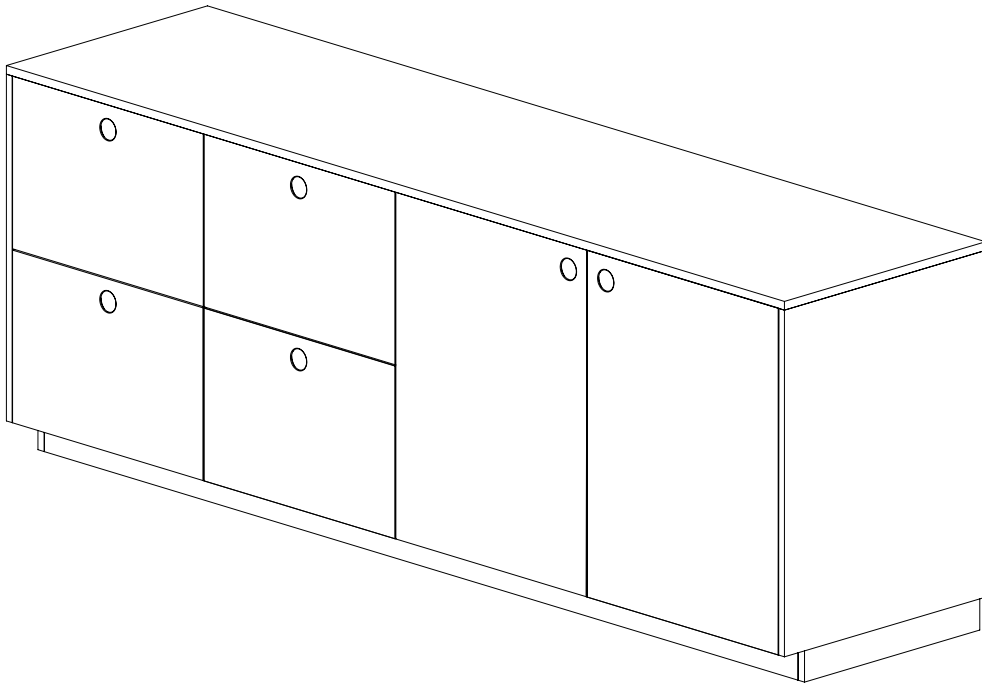


GENERAL GUIDE

KITCHEN INSTALLATION



**English**

Important information.
Read carefully. Follow each step of the instruction carefully.
Keep this information for further reference.

WARNING

Serious or fatal crushing injuries can occur from furniture tip-over. To prevent this furniture from tipping over it must be permanently fixed to the wall with the included wall attachment devices.

Fastening devices for the wall are not included since different wall materials require different types of fastening devices. Use fastening devices suitable for the walls in your home. For advice on suitable fastening devices, contact your licensed installer.

Safety recommendation:

- Prevent children from climbing or hanging on the drawers, doors or shelves.

Dansk

Vigtige oplysninger Læs omhyggeligt Følg de enkelte trin i anvisningerne omhyggeligt Gem disse oplysninger til senere brug.

ADVARSEL!

Der kan opstå alvorlig eller livsfarlig tilskadekomst, hvis møblet vælter. For at undgå, at møblet vælter, skal det fastgøres permanent til væggen med de medfølgende vægbeslag.

Forskellige vægmateriale kræver forskellige skruer og rawplugs. Medfølger ikke. Brug skruer og rawplugs, der passer til væggene i dit hjem. Hvis du er i tvivl om, hvilken type skruer/rawplugs du skal bruge, skal du kontakte et byggemarked.

Deutsch

Wichtige information.
Sorgfältig lesen. Jeden Schritt der Anleitung sorgfältig befolgen.
Diese Information aufbewahren.

ACHTUNG

Wenn Möbelstücke umkippen, können ernste oder lebensgefährliche Verletzungen durch Einklemmen die Folge sein. Um zu verhindern, dass dieses Möbelstück umkippt, muss es mit der beige packten Vorrichtung zur Wandbefestigung fest an der Wand verankert werden.

Beschläge für die Wandbefestigung sind nicht beige packt, da sie von der Beschaffenheit der Wand und des Untergrundmaterials abhängig sind. Befestigungsbeschläge benutzen, die für die heimischen Wände geeignet sind. Bei diesbezüglichen Fragen den.

Français

Information importante.
Lire attentivement. Suivre soigneusement chacune des étapes de ces instructions.
Conserver ces instructions pour une utilisation ultérieure.

ATTENTION

Risque de blessure grave ou mortelle en cas de basculement du meuble. Pour éviter que le meuble ne bascule, il faut le fixer au mur de façon permanente à l'aide des pièces pour fixation incluses.

Les vis ne sont pas incluses car leur choix dépend du matériau du mur sur lequel est fixé le meuble. Utilisez des vis adaptées au matériau du mur. Pour obtenir des conseils sur les vis à utiliser, adressez-vous à un vendeur spécialisé.

INTRODUCTION

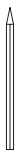
We've created this guide to make the installation of your new Reform kitchen as simple and hassle-free as possible. In the following pages, you'll find useful tips, necessary prerequisites and general, easy-to-follow information that helps you on your way to complete the most vital space in your home.

For your own safety, please read all of the installation guide thoroughly and attentively before you start installing your kitchen. As a general rule, it's also important that you lift according to safe lifting guidelines, make sure that children are not around your workspace, that you're aware of water and power lines when you're drilling into walls, and that you read all safety guidelines for the tools that you plan on using during the mounting and installation process.

Please note:

A kitchen installation should be carried out by qualified individuals. For optimal results and a clean finish, we recommend skilled professionals.

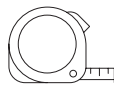
TOOLS AND EQUIPMENT YOU MIGHT NEED



PENCIL



MASKING TAPE



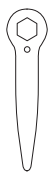
MEASURING TAPE



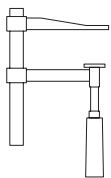
SHIMS



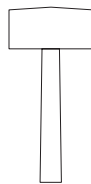
SCREWDRIVER



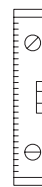
SOCKET WRENCH



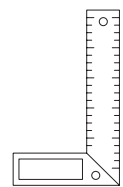
G CLAMPS



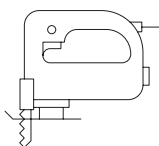
RUBBER HAMMER



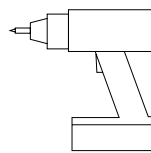
SPIRIT LEVEL



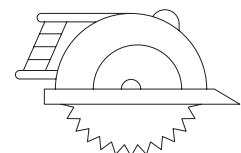
TRY SQUARE



JIGSAW



ELECTRIC SCREWDRIVER



CIRCULAR SAW

INDEX

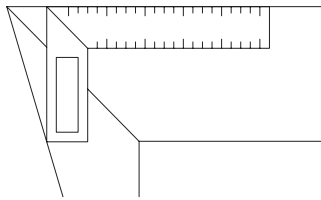
| | |
|----|--|
| 5 | PREPARING THE SPACE |
| 6 | MOUNTING THE SUSPENSION RAILS OR THE ANGLE BRACKETS |
| 9 | INSTALLING THE WALL CABINETS |
| 10 | INSTALLING THE BASE CABINETS |
| 13 | INSTALLING THE FILLER PIECES |
| 15 | INSTALLING THE COUNTERTOP, APPLIANCES, LIGHTING, SINK, AND KITCHEN ISLAND |
| 18 | INSTALLING THE COVER PANELS |
| 20 | INSTALLING THE TOE KICK/PLINTH |
| 22 | INSTALLING THE DOORS, DRAWERS, SHELVES AND HANDLES |

PREPARING THE SPACE

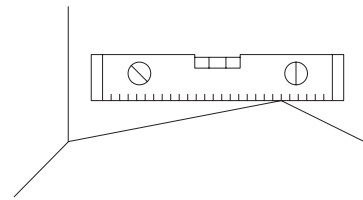
It's time to prepare your space for the installation. Start out by making sure that your floors are adequately built for accommodating your new kitchen. At this stage, we also recommend that you change your flooring (if necessary), prime and paint your walls, and put tiles on the walls and floors. Also, please refer the measurements on page 6: 'Mounting the suspension rails or the angle brackets.'

Draw up the positions for the cabinets

Draw an outline of the kitchen onto your wall. Make sure that everything is aligned with the measurements from your plan and that the water, gas, ventilation and electricity outlets are in the right locations. Adding to that, you'll need to mark the position indicating where you want to mount the suspension rails or angle brackets for the kitchen.



USE A TRY SQUARE TO CHECK THE WALLS AND CORNERS FOR IRREGULARITIES AND UNEVEN PARTS

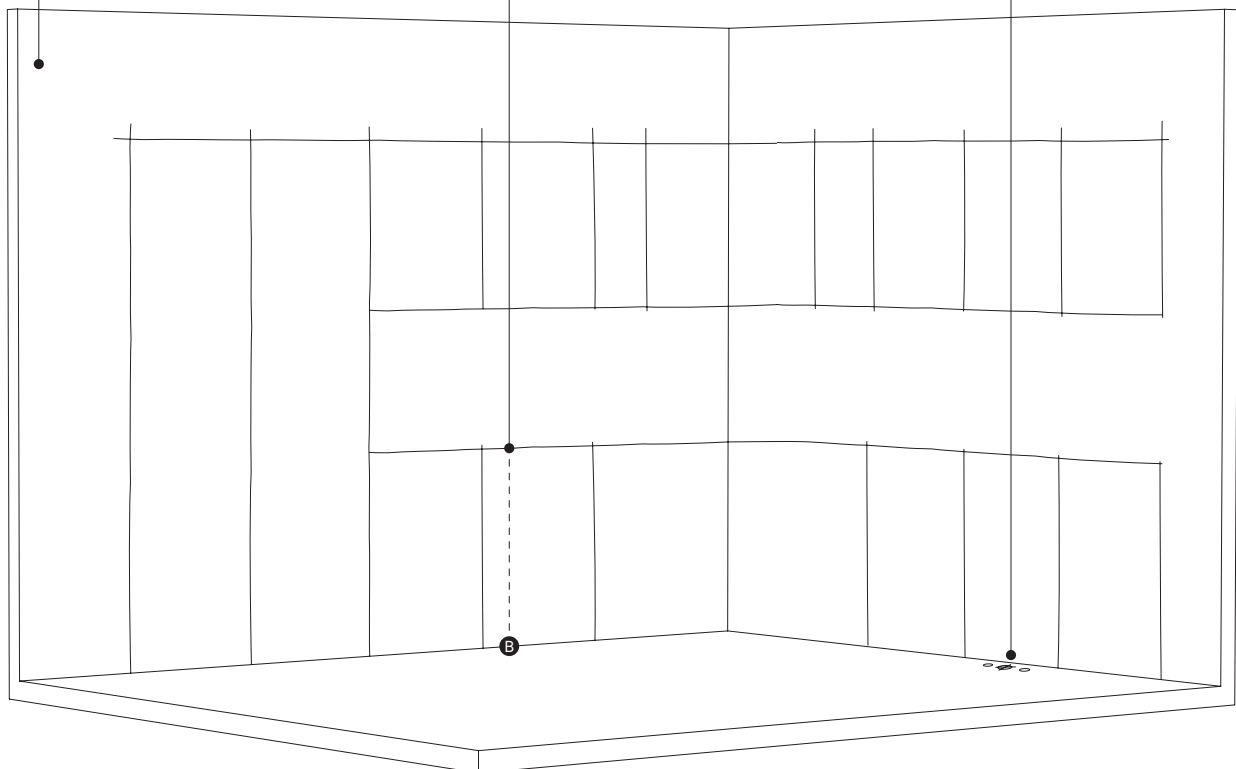


MAKE A NOTE OF THE HIGHEST POINT OF THE FLOOR (B) WITH A SPIRIT LEVEL

It's important that the wall is sturdy enough to support the weight of the suspension rail and cabinets. Walls have different materials, but it's a good idea to install your rail onto a support beam or a stud, and an electronic stud finder is a useful tool for finding the latter.

Leave 34,5 inches between the highest point of the floor and the top of the base cabinets.

Double check that the plumbing is placed in the right location for the sink.



- A THE UNDERSIDE OF THE SUSPENSION RAIL
- B THE HIGHEST POINT OF THE FLOOR

MOUNTING THE SUSPENSION RAILS OR THE ANGLE BRACKETS

There are two ways to install your cabinets:

- 1) With suspension rails and hanging brackets.
- 2) Using angle brackets to secure them directly onto the wall.

We recommend using angle brackets for the base cabinets, and hanging brackets for all other cabinets.

NB! Please read this entire chapter carefully before you begin the mounting process.

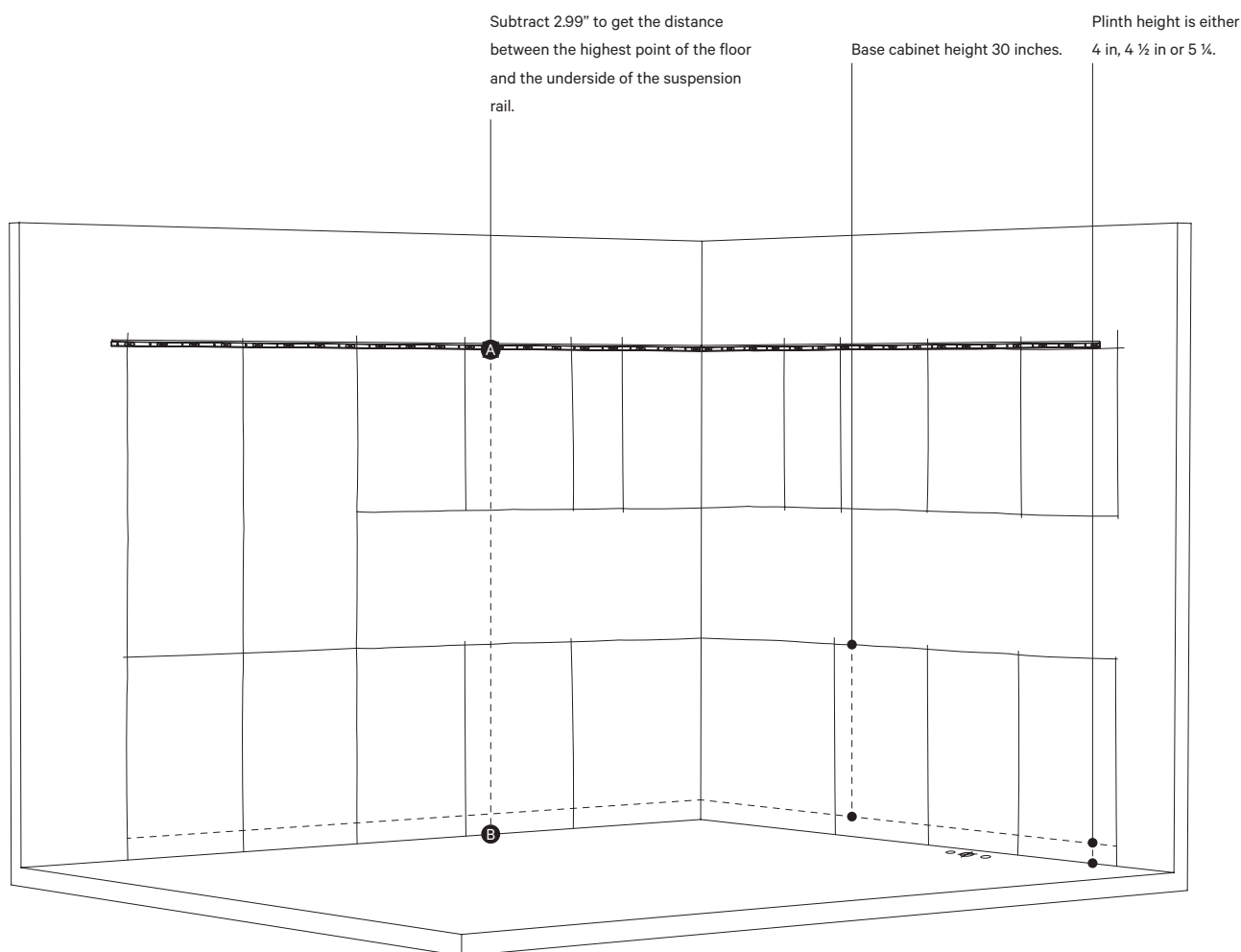
1) Measurements for mounting the rails at the right height

To get to know your distance from **A** to **B**, you need to subtract 2,99" from your kitchen height. Your kitchen height is the height of your cabinets + the height of the plinth.

2) Measurements for mounting angle brackets at the right height

When you're mounting the base cabinets, the top of the cabinet in relation to the highest point of the floor (**B**) is 30" + your plinth height (4", 4 ½", 5 ¼"). When you're mounting the wall cabinets, measure the height where you want your wall cabinets from point **B**.

The height of the kitchen = the height of the cabinet + the plinth height



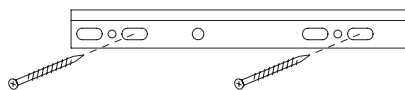
A THE UNDERSIDE OF THE SUSPENSION RAIL

B THE HIGHEST POINT OF THE FLOOR

1) Installing suspension rails and hanging brackets

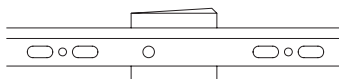
We recommend using suspension rails for wall cabinets, only.

Your cabinets can be mounted straight onto a suspension rail with the hanging bracket, which makes the installation, as well as the subsequent adjustment process of the cabinets, easy and simple. Remember to make sure that the suspension rail is level - and to drill it into a secure position using the right type of screw that applies to your wall material. You can make the cabinets level by adjusting the hanging brackets.



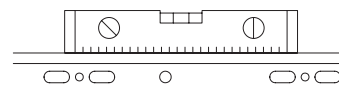
1

START OUT BY SECURING THE RAILS. IT'S IMPORTANT THAT YOU HAVE FOUND THE APPROPRIATE POINTS IN THE WALL WHERE THE RAILS CAN BE SECURED.



2

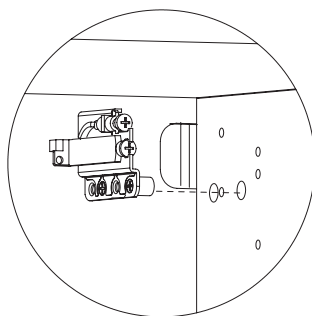
IF THE WALL SURFACE IS UNEVEN, USE DISTANCE PIECES/SHIMS BETWEEN THE WALL AND THE RAIL TO ENSURE THE STRAIGHT POSITION OF THE RAIL.



3

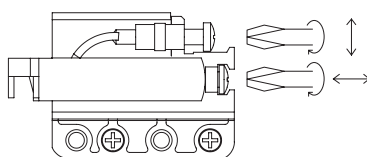
IT'S IMPORTANT THAT ALL RAILS ARE LEVEL AND ALIGNED. USE A SPIRIT LEVEL TO CHECK EACH RAIL FOR IRREGULARITY.

This section contains detailed instructions on how to mount your hanging brackets. Remember to come back to this information when you're installing the cabinets.



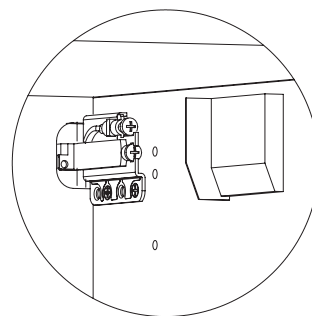
4

WITH A HAMMER, INSTALL THE HANGING BRACKET ONTO THE SIDE OF THE CABINET.



5

YOU CAN NOW ADJUST IT 0,87" VERTICALLY AND 1/4" HORIZONTALLY.



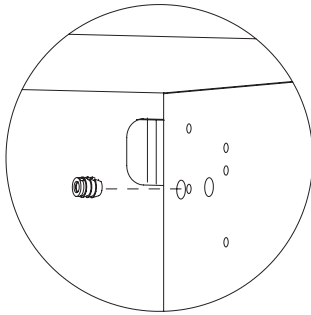
6

SLIDE ON THE COVER CAP.

2) Installing angle brackets

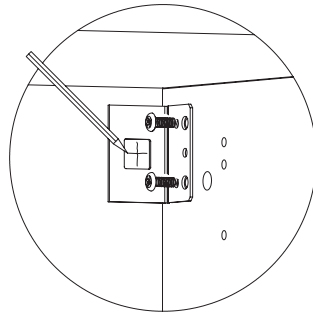
We recommend using angle brackets for all cabinets with legs attached (all cabinets excluding wall cabinets).

When you install angle brackets, you don't need rails. It's important that the drilled holes are placed accurately, and that your locations are level. Before you begin drilling, check what kind of material your wall is made of, and how your drill applies to this material. This applies to your screws as well.



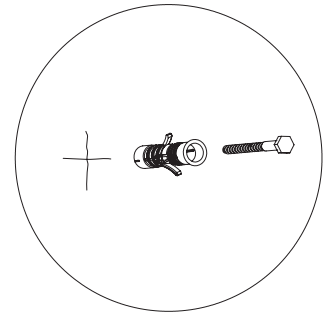
1

INSERT THE PLASTIC PIN INTO THE BIG HOLE PLACED CLOSEST TO THE BACK PANEL. THIS IS TO BE DONE TO AVOID THE SMALLER HOLE NEXT TO IT BREAKING.



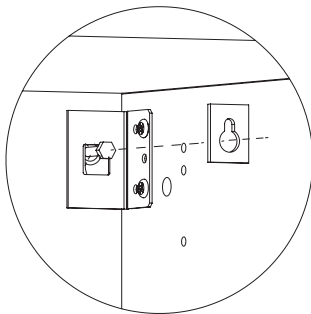
2

FASTEN THE ANGLE BRACKETS IN THE PRE-DRILLED HOLES. THEN MARK THE PLACEMENT ON THE WALL THROUGH THE ANGLE BRACKET.



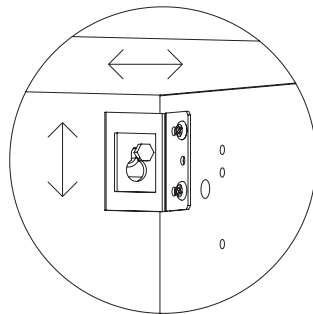
3

DRILL A HOLE INTO THE PREVIOUSLY MARKED POINT. INSERT THE WALL PLUG AND THE LARGE FRENCH SCREW.



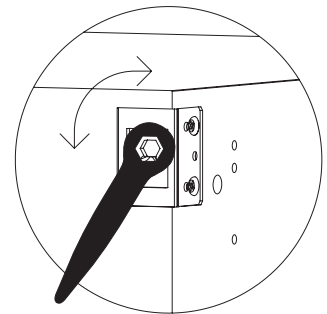
4

ADD FASTENING WASHER.



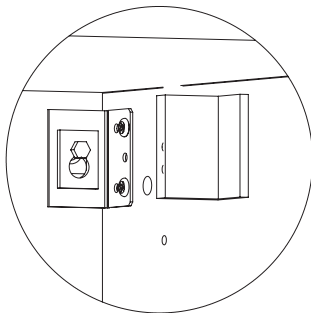
5

ADJUST THE PLACEMENT OF THE CABINET BY ADJUSTING THE FASTENING WASHER.



6

FIX THE PLACEMENT OF THE CABINET BY TIGHTENING THE FRENCH SCREW.



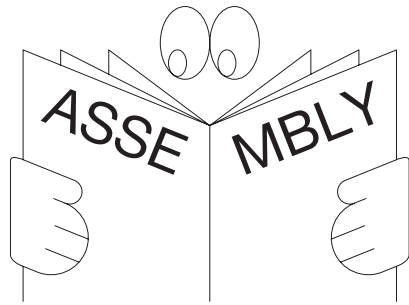
7

SLIDE ON THE COVER CAP.

INSTALLING THE WALL CABINETS

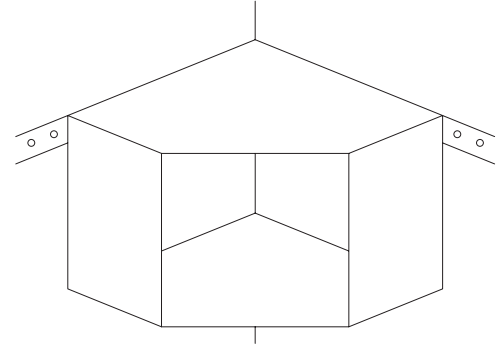
We recommend installing wall cabinets first.

Prior to the installation, mark the placement the ventilation, power outlets, plumbing etc.



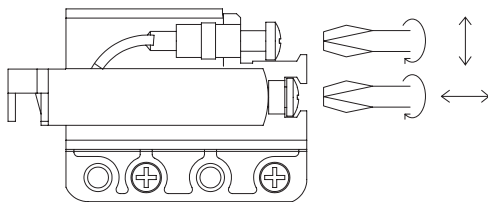
1

ASSEMBLE THE WALL CABINETS ACCORDING TO THE INSTRUCTIONS OUTLINED IN THE ASSEMBLY GUIDE. AT THIS STAGE, YOU SHOULD WAIT UNTIL LATER BEFORE YOU MAKE INTERNAL FITTINGS, AND PLACE THE DOORS.



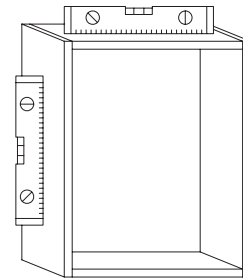
2

IF YOUR PROJECT INCLUDES CORNER CABINET, MAKE SURE TO FASTEN IT ON THE WALL BEFORE OTHER CABINETS. MAKE SURE THAT ALL SURFACES ARE SQUARE AND LEVEL.



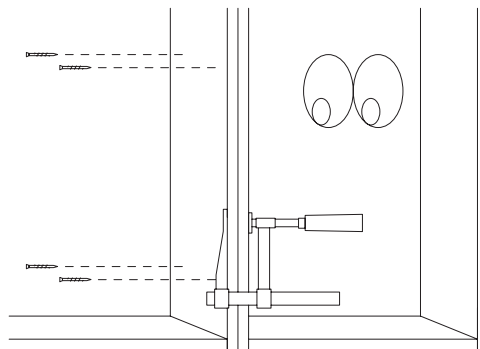
3

YOU CAN ADJUST THE CABINET BY ADJUSTING THE HANGING BRACKET. FOR MORE INFORMATION, SEE PAGE 7.



4

CHECK THAT YOUR CABINET IS LEVEL USING A SPIRIT LEVEL. USING A SPIRIT LEVEL IS CRUCIAL. REPEAT THIS STEP AGAIN AFTER YOU'VE CONNECTED ALL CABINETS.

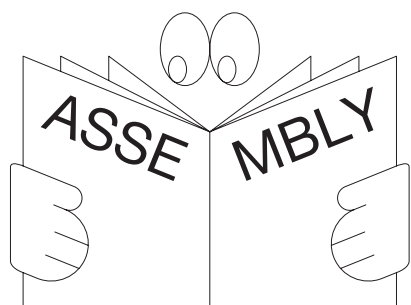


5

NOW YOU CAN CONNECT ALL CABINETS TO EACH OTHER WITH SCREWS THROUGH THE CABINET SIDES (SEE ABOVE ILLUSTRATION). DO THIS ONE BY ONE AS THEY ARE MOUNTED. DO NOT FIX THE SCREWS IN THE PREDRILLED HOLES. MAKE SURE, THAT THE CABINETS ARE PLACED CORRECTLY AND ARE IN LEVEL BEFORE FULLY TIGHTENING THE SCREWS.

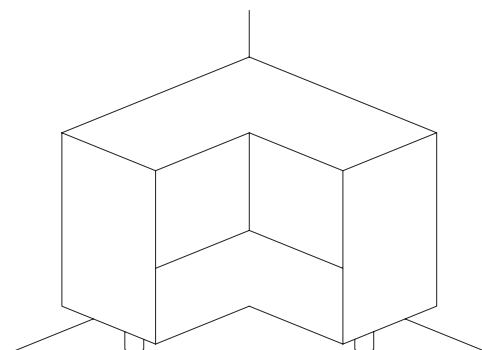
INSTALLING THE BASE CABINETS

Before installing the base cabinets, mark the placement of all utility-installations; plumbing, power outlets, ventilation etc. Cut out holes in your cabinet for these installations where necessary. Make sure, that the installations does not interfere with your drawers, pull-outs etc.



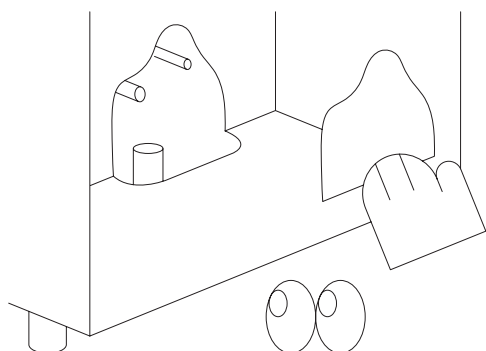
1

ASSEMBLE THE BASE CABINETS ACCORDING TO THE INSTRUCTIONS OUTLINED IN THE CABINET ASSEMBLY GUIDE. FOR CABINETS THAT ARE 20 CM AND 30 CM WIDE, ALL DRAWER RAILS AND/OR OTHER ACCESSORIES SHOULD BE INSTALLED BEFORE ASSEMBLING THE CABINET.



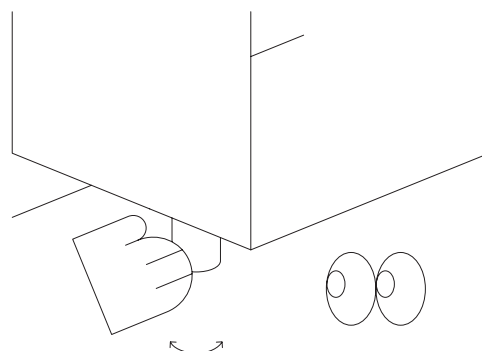
2

START OUT IN THE CORNER (EVEN IF YOU DO NOT HAVE A CORNER CABINET) BY USING ANGLE BRACKETS. MAKE SURE THAT THE CABINET IS ALIGNED WITH THE ABOVE WALL CABINET (IF IT EXISTS). THE FOLLOWING CABINETS SHOULD BE FITTED IN THE SAME WAY. THE SHELF OR CORNER CAROUSEL SHOULD NOW BE INSTALLED AS WELL.



3

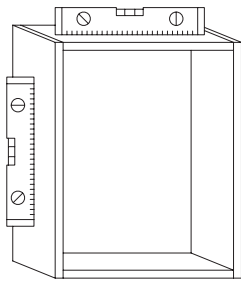
CONFIRM THAT THE CUTOUTS FOR PLUMBING ETC. IS PLACED CORRECTLY BEFORE INSTALLING THE CABINETS.



4

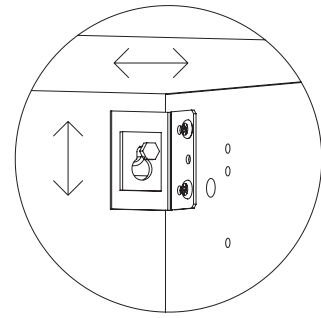
ALIGN THE CABINETS IN HEIGHT BY ADJUSTING THE LEGS.





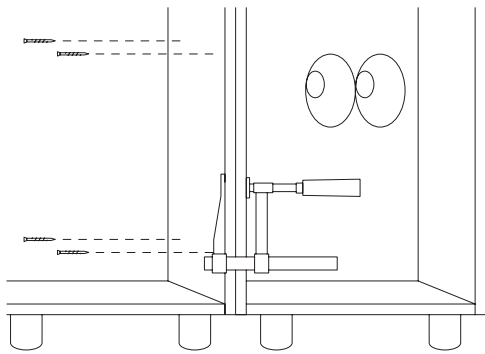
5

CONFIRM THAT YOUR CABINET IS LEVEL BY CHECKING ALL THE SIDES USING A SPIRIT LEVEL. REPEAT THIS STEP AFTER YOU'VE CONNECTED ALL CABINETS.



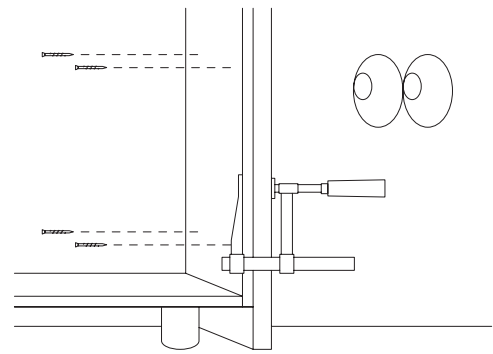
6

MAKE SURE THAT THE CABINET IS IN THE RIGHT PLACE BEFORE TIGHTENING THE SCREW.



7

FASTEN THE CABINETS TO EACH OTHER WITH SCREWS THROUGH THE SIDES. PLEASE BE AWARE THAT YOU SHOULDN'T USE THE PRE-DRILLED HOLES.

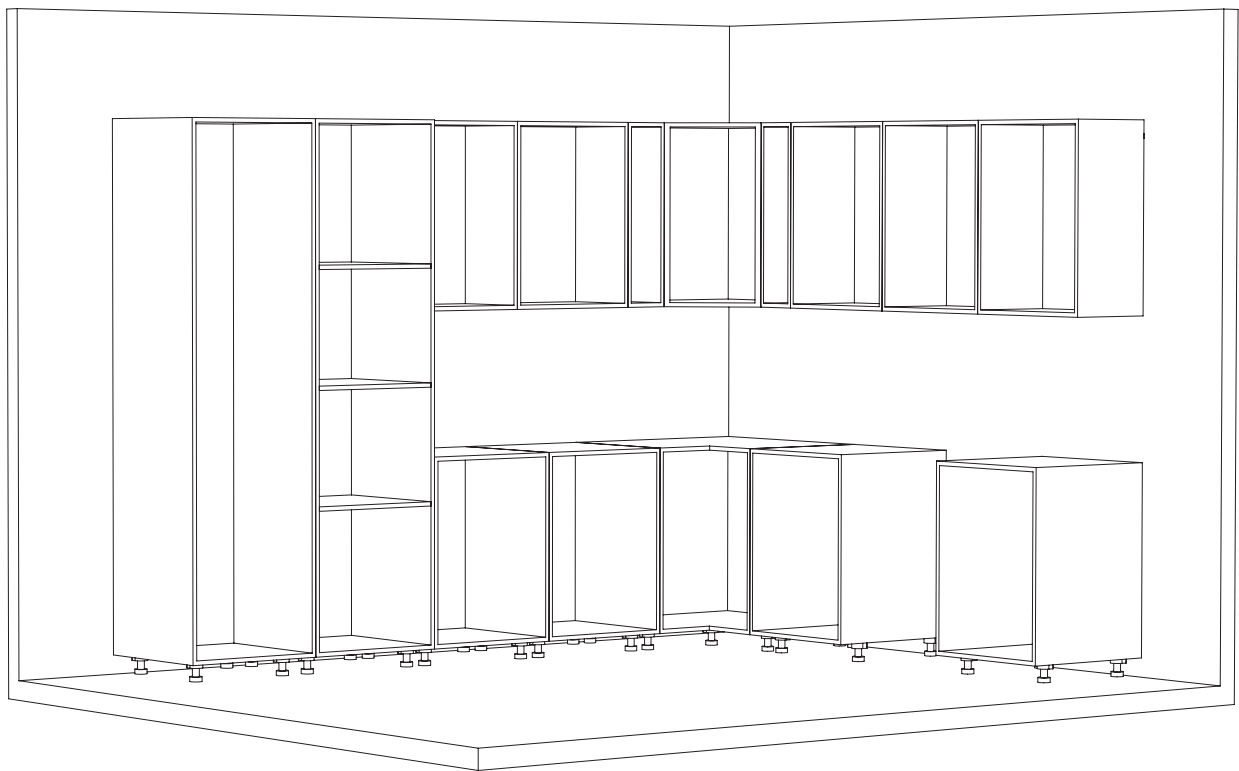


8

FOR CABINETS THAT WILL INCLUDE BUILT IN APPLIANCES, IT IS NOW TIME TO INSTALL THE SURROUNDING COVERPANELS. SEE THE INSTRUCTIONS FURTHER AHEAD IN THIS THIS GUIDE.

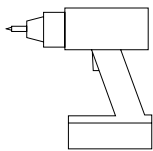
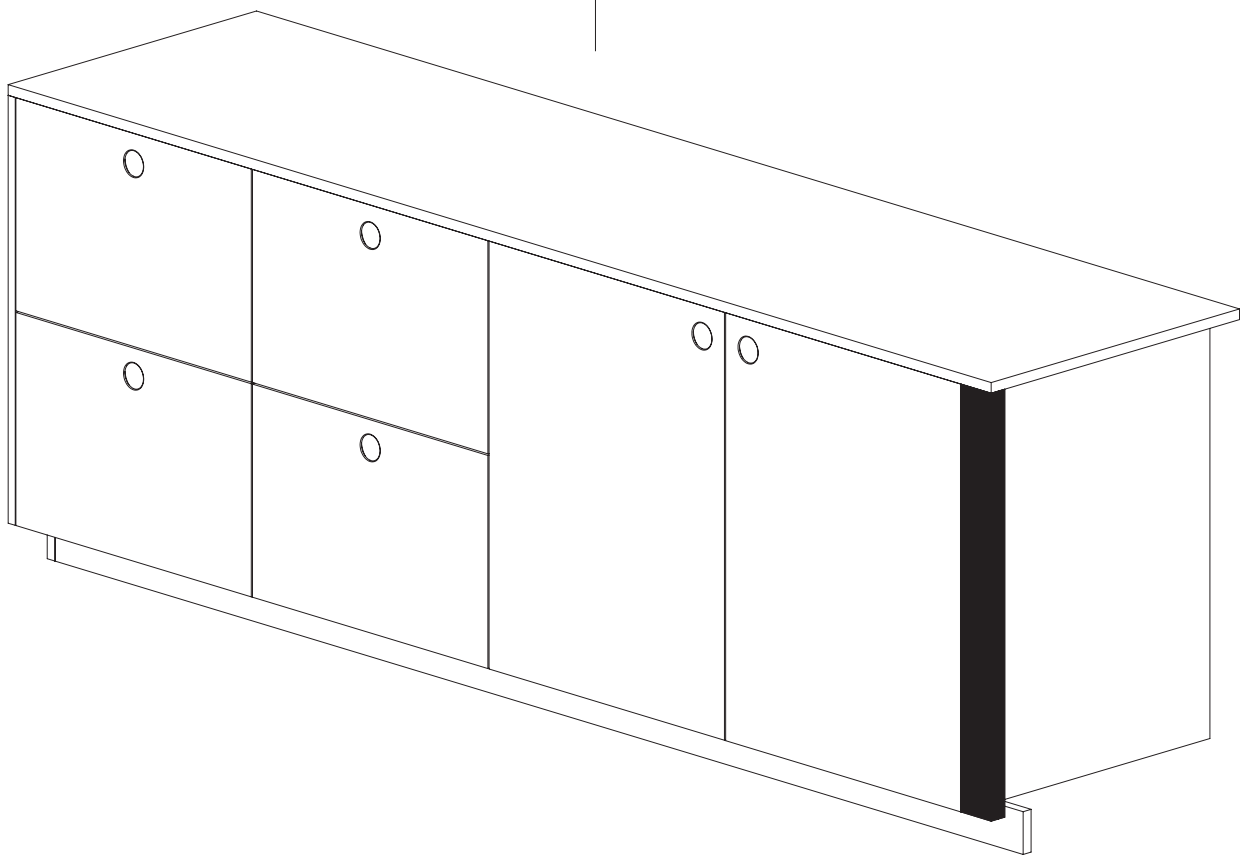
KITCHEN CHECK-UP

This is an example of what your kitchen should look like at this point.
Now it's time to double check if your cabinets are level and aligned.

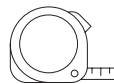


INSTALLING THE FILLER PIECES

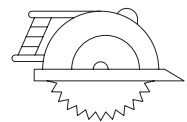
Apply filler pieces between your cabinets and walls for a seamless finish. Use them if your walls are not completely even - and to ensure that you have the required room to open doors and drawers to their full extent. Reform recommends that fillers are installed to align with the front of the cabinet, and they won't flush with door or drawer fronts. Remember to make sure that you leave the required space, and that you don't drill your screws all the way through the kitchen front. Fillers can also be installed flush with the cabinet if this is preferred.



ELECTRIC SCREWDRIVER/DRILL



MEASURING TAPE



JIGSAW/CIRCULAR SAW



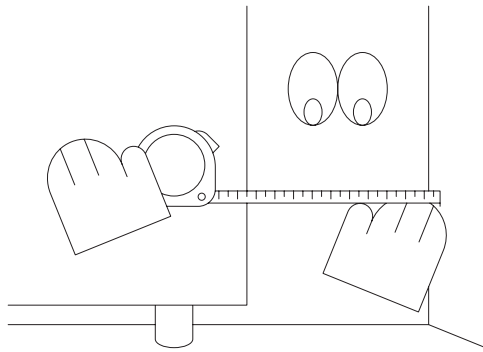
PENCIL



MASKING TAPE

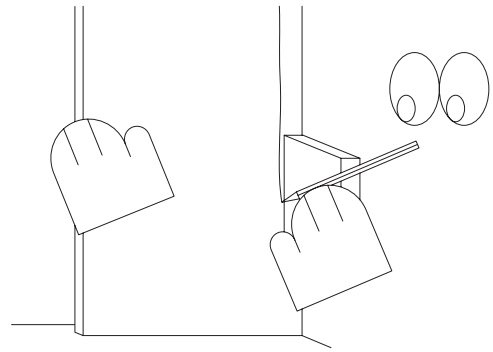


SCREWS



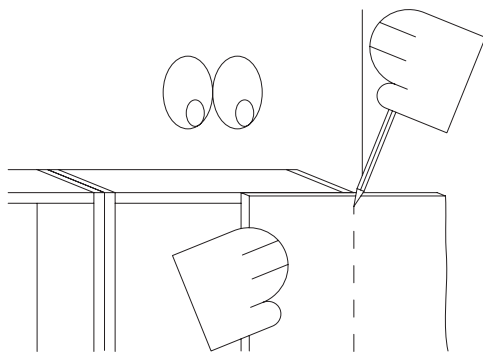
1

BEFORE CUTTING THE FILLER PIECE, START BY MEASURING THE DISTANCE TO THE WALL. THIS IS YOUR GENERAL SIZE ESTIMATE. NEEDS TO BE.



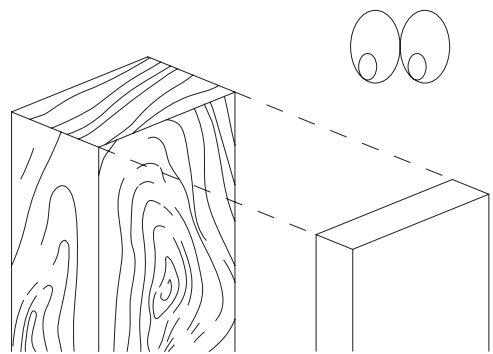
2

OFTEN, WALLS ARE NOT COMPLETELY EVEN. THEREFORE WE RECOMMEND TRACING THE WALLS SURFACE USING A PIECE OF WOOD (SEE ABOVE ILLUSTRATION).. NOW CUT ALONG YOUR LINE USING A JIGSAW. WHEN USING THE JIG SAW, NOTE THAT A JIG SAW ALWAYS LEAVE 1 SIDE ROUGH. MAKE SURE THAT THIS ROUGH SURFACE IS THE NON-VISIBLE SIDE. APPLY MASKING TAPE ON THE CUTTING LINE FOR A CLEANER CUT WITHOUT CHIPPING.



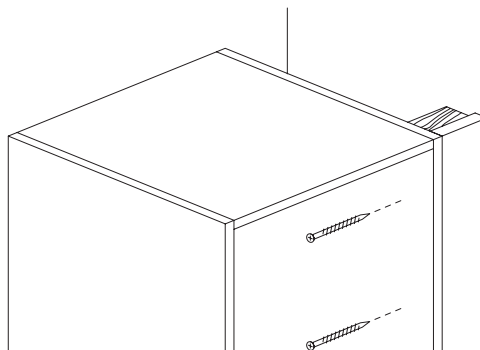
3

NOW CUT THE OTHER SIDE - TOWARDS THE CABINET. PLACE THE FILLER PIECE IN THE CORRECT POSITION AGAINST THE WALL, AND DRAW A STRAIGHT LINE ALONG THE EDGE OF THE CABINET SIDE. CUT THE FILLER PIECE USING THIS LINE.



4

FASTEN A SQUARE PIECE OF WOOD TO YOUR FILLER PIECE BY USING SCREWS OR APPLICABLE GLUE - DEPENDING ON THE MATERIAL OF THE FILLER PIECE. BE CAREFUL NOT TO DRILL OR SCREW ALL THE WAY THROUGH, DAMAGING THE SURFACE.



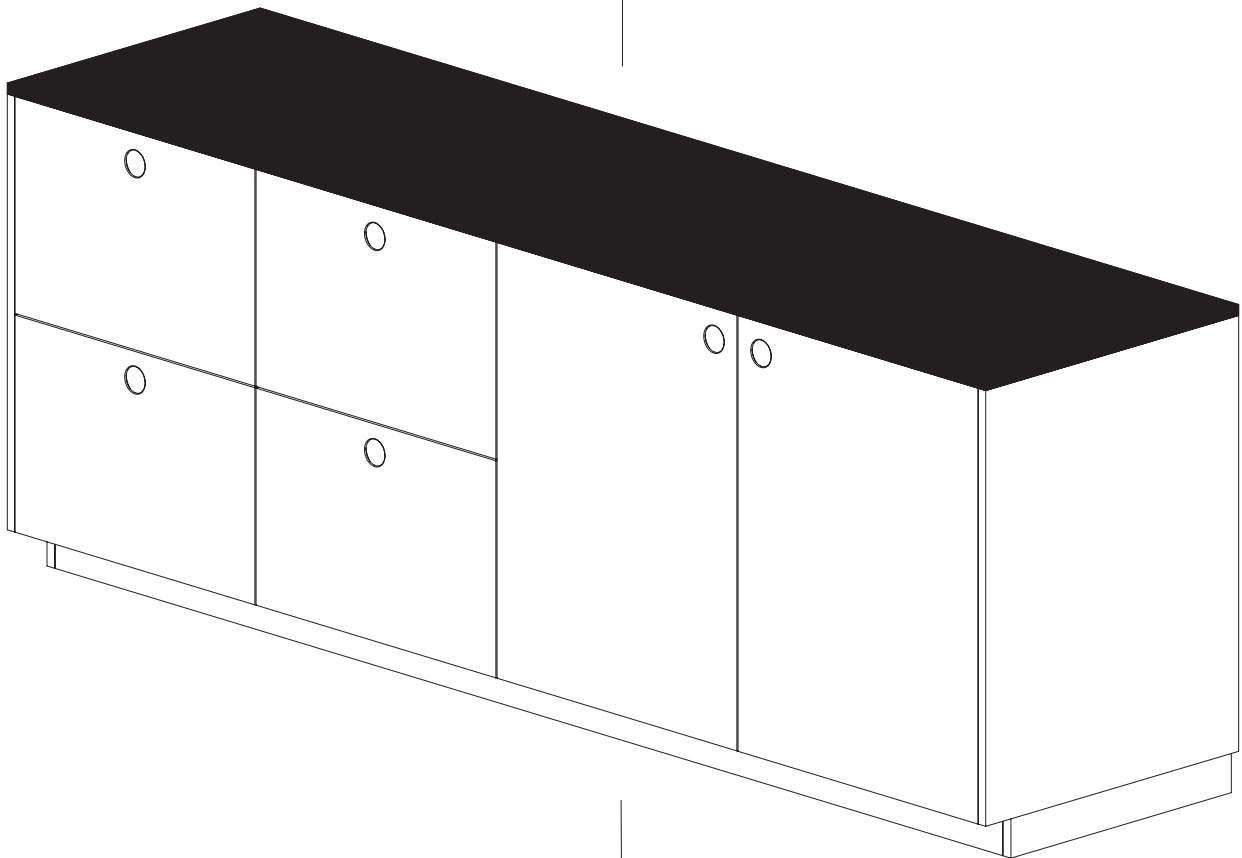
5

NOW THE FILLER PIECE CAN BE FASTENED TO THE CABINET. WE RECOMMEND USING AT LEAST 2 SCREWS PER 60CM IN HEIGHT OR WIDTH.

INSTALLING THE COUNTERTOP, APPLIANCES, LIGHTING, SINK, AND KITCHEN ISLAND

It's now time to install your countertop, sink, lighting and appliances. We recommend that the cabinets, filler pieces and cover panels are in place before you measure and order your countertop. Our sales department can advise on the details.

Follow the assembly instructions supplied with your specific product. Here including your countertop, sink, lighting and built in appliances.



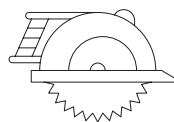
PENCIL



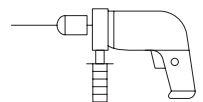
SCREWS



MEASURING TAPE



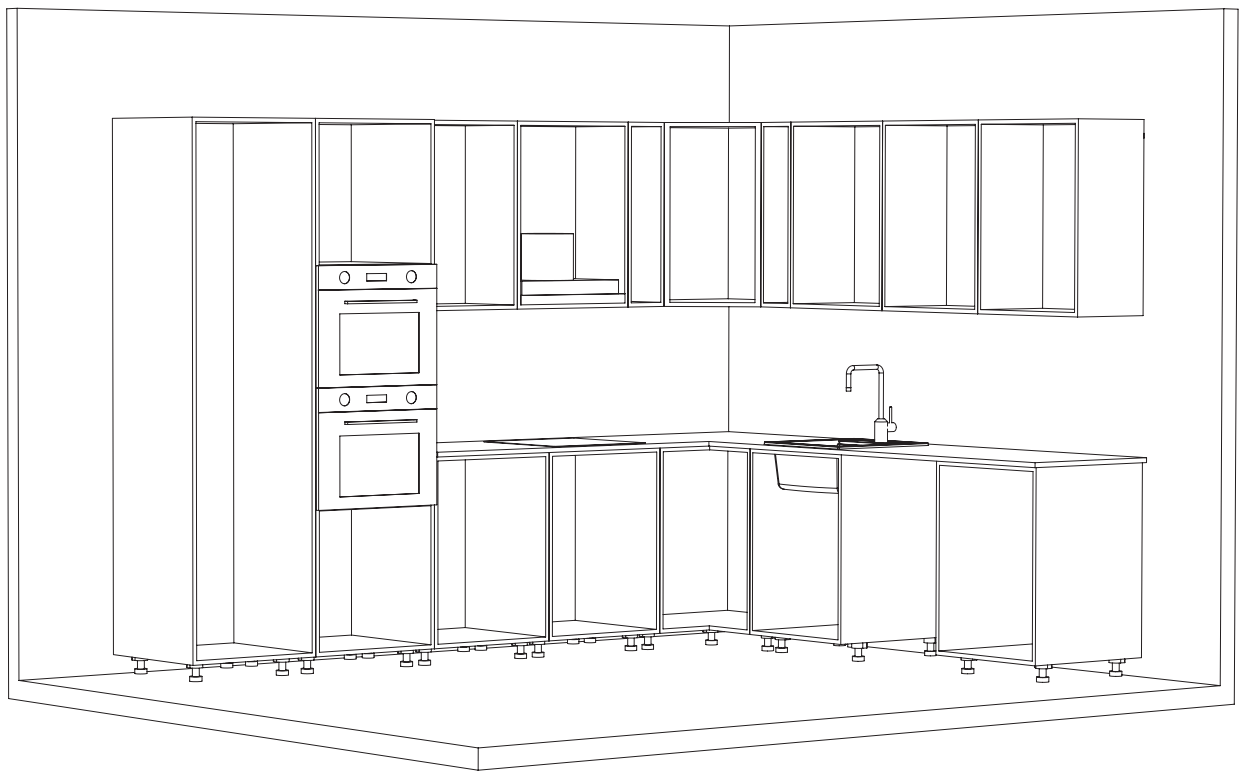
JIGSAW/CIRCULAR SAW



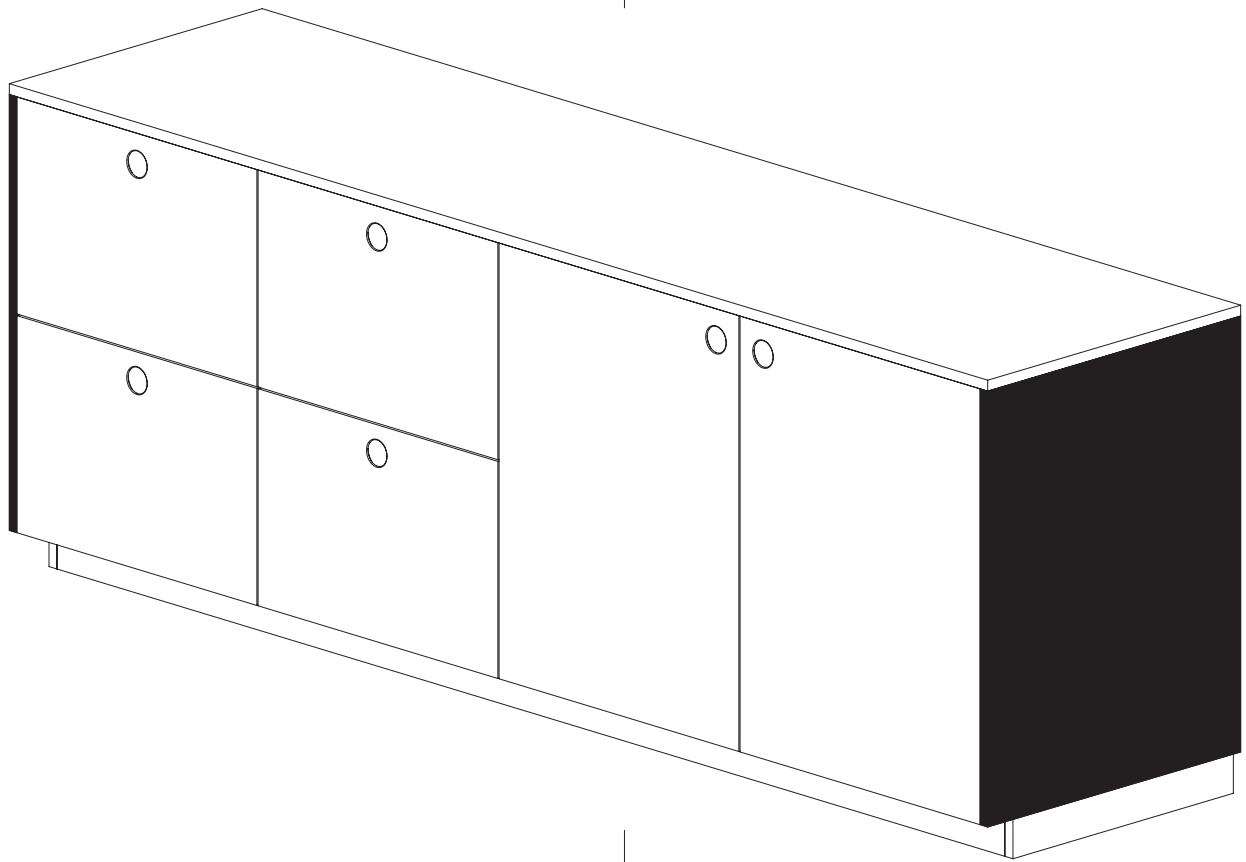
ELECTRIC SCREWDRIVER/DRILL

KITCHEN CHECK-UP

This is an example of what your kitchen should look like at this point.



INSTALLING THE COVER PANELS



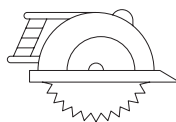
PENCIL



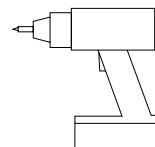
SCREWS



MEASURING TAPE



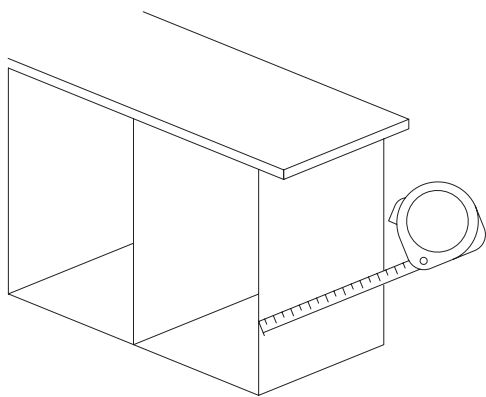
JIGSAW/CIRCULAR SAW



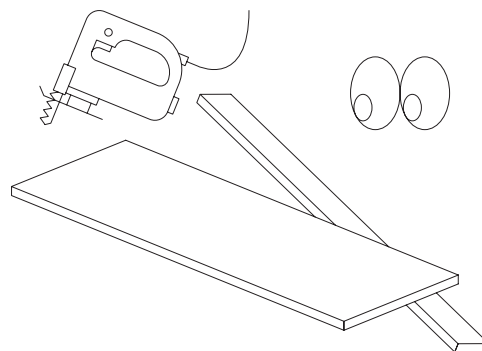
SCREWDRIVER/DRILL



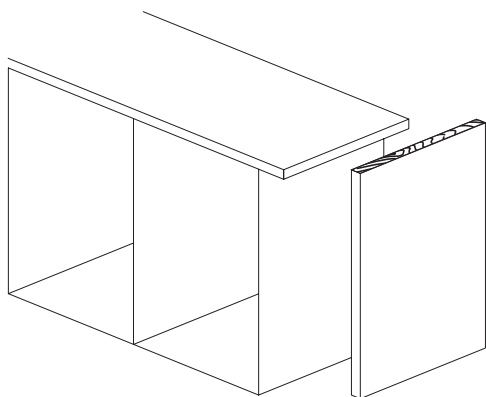
MASKING TAPE



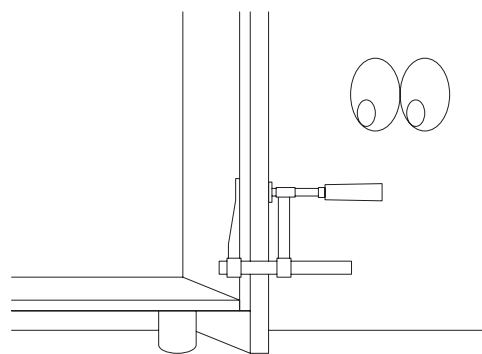
1
 START BY MEASURING THE REQUIRED HEIGHT AND DEPTH OF YOUR PANEL.
 MAKE SURE THAT YOU DRAW IT UP ACCORDING TO YOUR DESIGN PLAN.



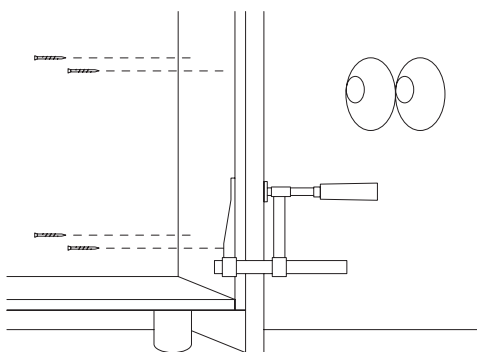
2
 MARK AND CUT THE PANEL. MASKING TAPE CAN BE APPLIED ON THE CUTTING LINE, FOR A CLEANER CUT WITH LESS CHIPPING.



3
 MAKE SURE ALL RAW EXPOSED EDGES, ARE FACING THE COUNTERTOP OR THE WALL. HEREBY NOT VISIBLE.



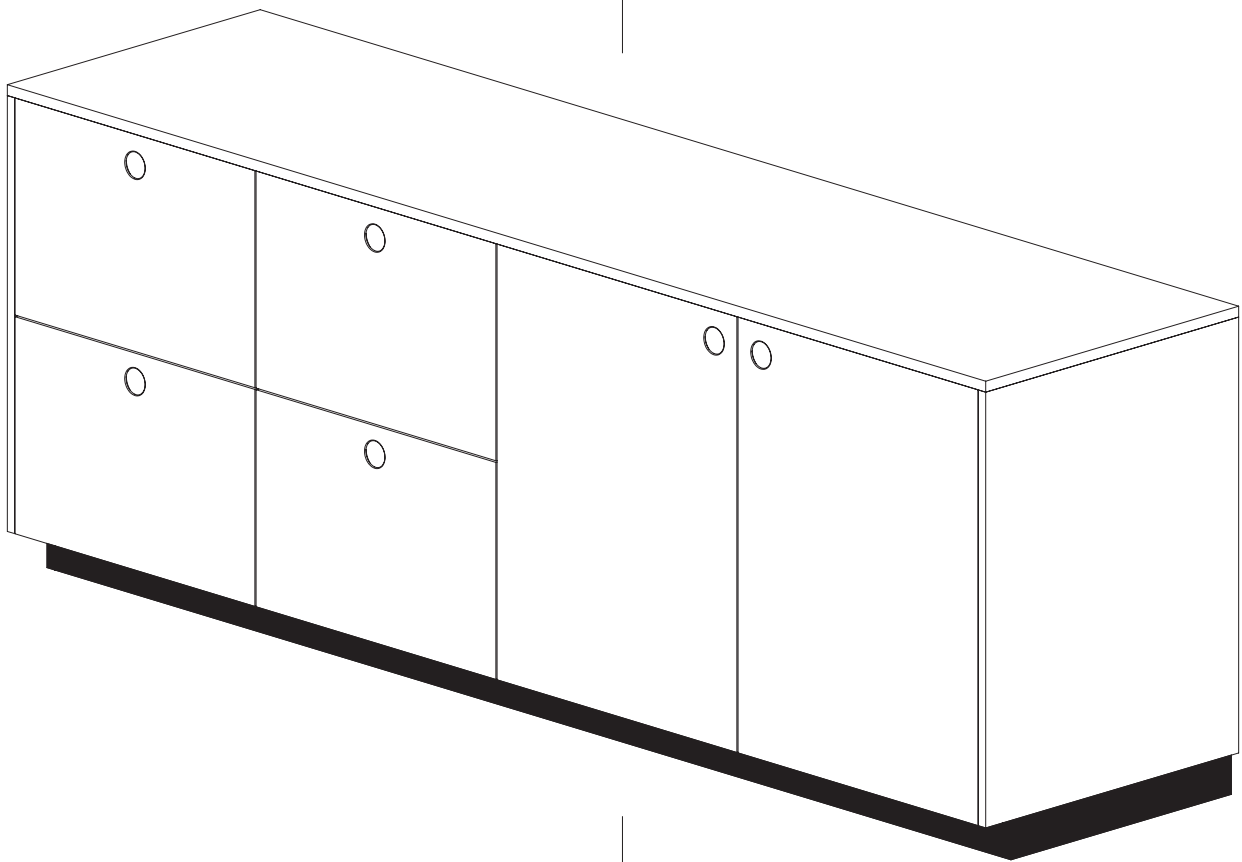
4
 USE CLAMPS TO FASTEN THE PANEL TO THE SIDE OF THE CABINET.



5
 FASTEN THE COVER PANEL WITH SCREWS FROM INSIDE THE CABINET. WE RECOMMEND USING TWO SCREWS IN DEPTH AND 1 ROW FOR EACH 60 CM IN HEIGHT. HIDE SCREWS BEHIND HINGES / DRAWER SLIDES WHEREVER POSSIBLE.

INSTALLING THE TOE KICK/PLINTH

The Reform toe kick/plinth should be installed underneath the frontal part of the lower cabinets. Follow the simple steps outlined below to complete the installation.



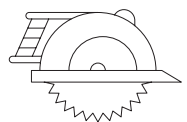
PENCIL



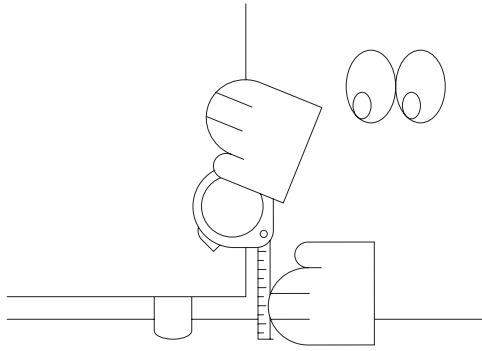
MASKING TAPE



MEASURING TAPE

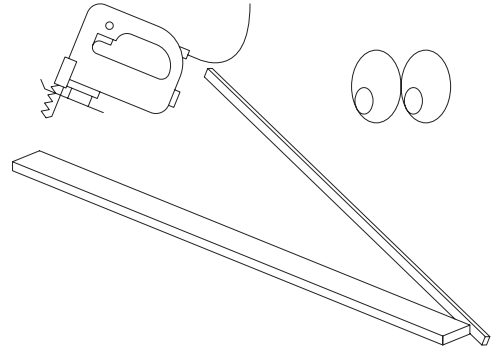


JIGSAW/CIRCULAR SAW



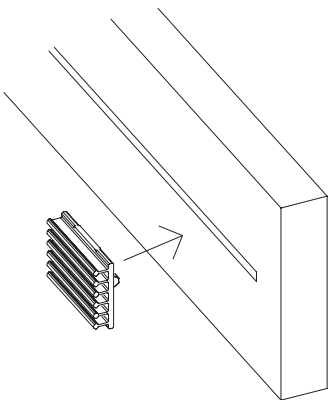
1

START BY MEASURING THE REQUIRED HEIGHT AND WIDTH OF YOUR TOE KICK/ PLINTH



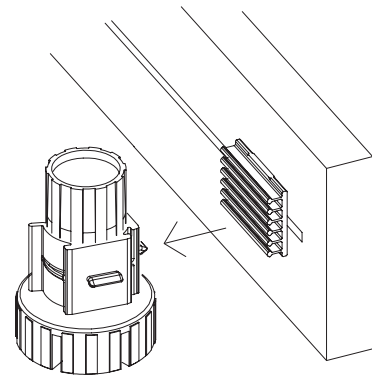
2

CUT THE TOE KICK/PLINTH INTO THE RIGHT SIZE WHERE NECESSARY. MASKING TAPE CAN BE APPLIED ON THE CUTTING LINE, FOR A CLEANER CUT WITH LESS CHIPPING.



3

PRESS THE PLINTH CLIPS IN PLACE ALIGNED WITH THE CABINET LEGS

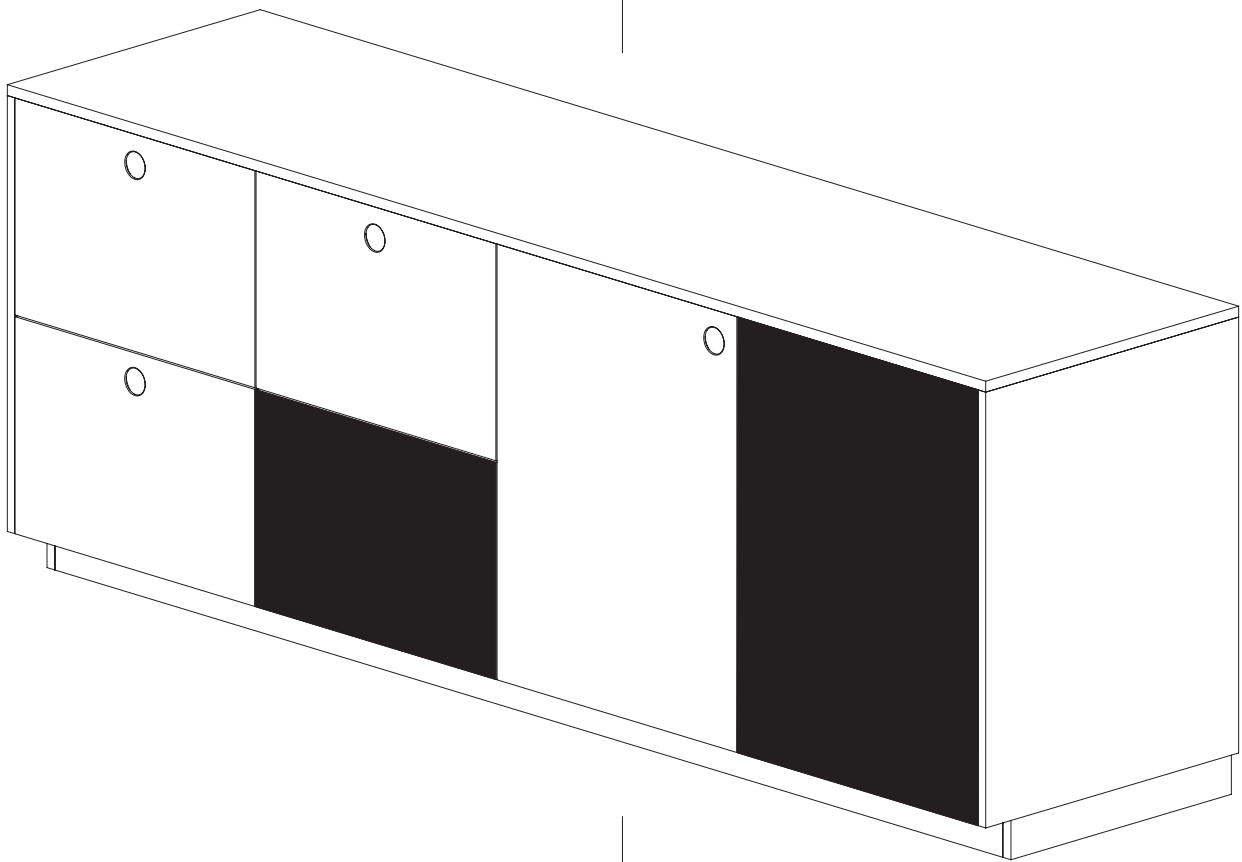


4

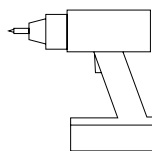
PRESS THE PLINTH IN PLACE. MAKE SURE THAT IT IS PROPERLY ATTACHED ON ALL CABINET LEGS. YOU USUALLY HEAR A "CLIC" WHEN THEY FIT INTO PLACE.

INSTALLING THE DOORS, DRAWERS, SHELVES, AND HANDLES

Place the drawers before you place the doors and shelves. Make sure that you have thoroughly read the drawer assembly guide before continuing, thoroughly because it affects the position of drawer slides.



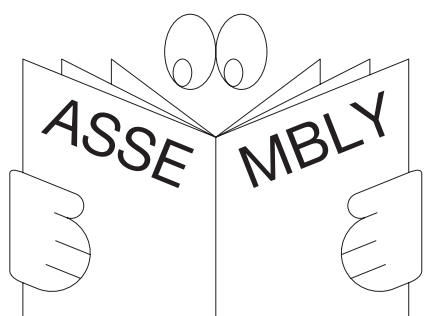
SCREWDRIVER



ELECTRIC SCREWDRIVER

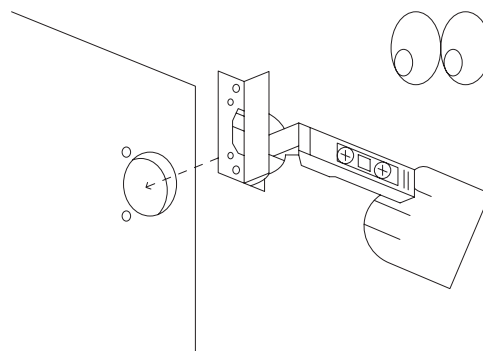


SCREWS



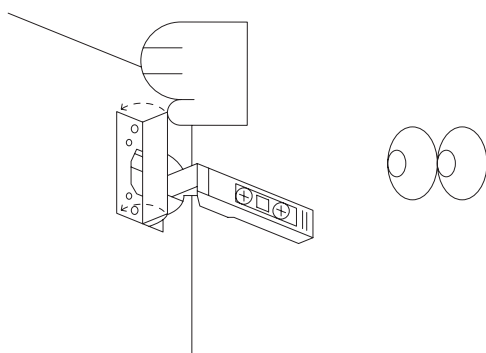
1

ASSEMBLE AND INSTALL ALL DRAWERS AND DRAWER FRONTS BY FOLLOWING THE INSTRUCTIONS IN THE DRAWER ASSEMBLY GUIDE.



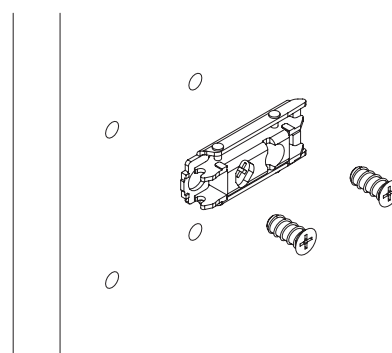
2

NOW MOVE ON TO ATTACHING THE DOORS. FIRST, PLACE THE HINGE ON THE DOOR.



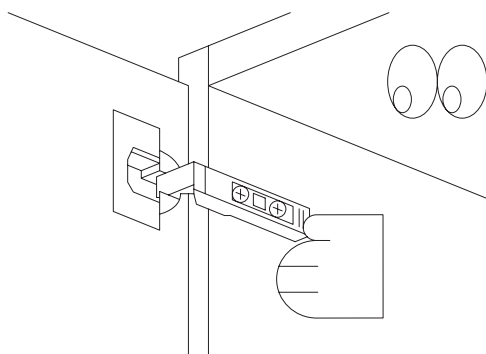
3

PRESS THE CLIP DOWN TO LOCK THE HINGE IN PLACE.



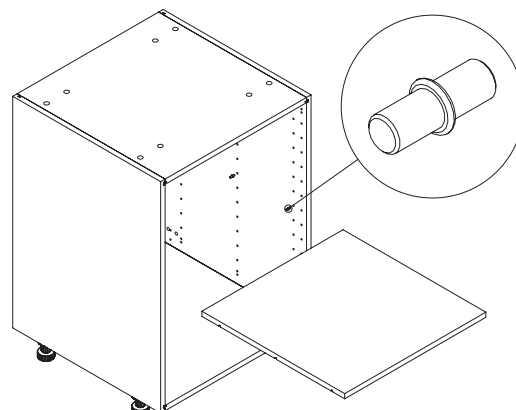
4

SECURE THE MOUNTING PLATE TO THE SIDE OF THE CABINET WITH 2 SCREWS. THE ARROW ON THE MOUNTING PLATE SHOULD POINT TOWARDS THE FRONT OF THE CABINET.



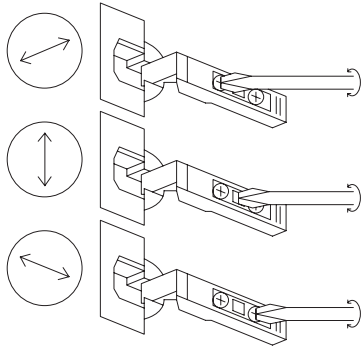
5

ATTACH THE DOORS TO THE CABINETS BY CONNECTING THE HINGES TO THE CORRESPONDING MOUNTING PLATES. YOU WILL HEAR A NOTICEABLE "CLICK" WHEN IT LOCKS IN PLACE.



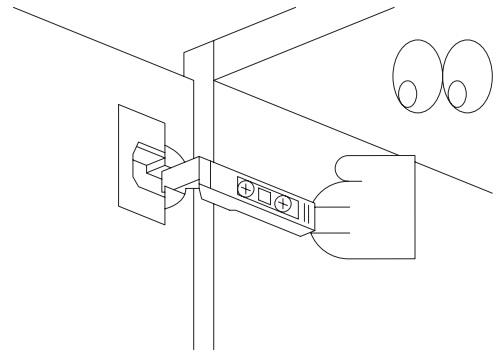
6

NOW IT'S TIME TO PLACE THE SHELVES. INSTALL 3 SHELF PINS PER SIDE IN THE PREDRILLED HOLES IN THE CABINET. THE SHELF CAN SIMPLY BE PLACED ON TOP.



7

ALIGN YOUR DOORS IN THE CORRECT HEIGHT AND WIDTH
BY ADJUSTING THE SCREWS ON THE HINGE PLATE.



8

PRESS THE BACK OF THE HINGE TIP,
IF YOU'D LIKE TO UNMOUNT IT.

YOU MADE IT

Congratulations and thank you for choosing Reform.
We hope you'll want to share some photos of your new kitchen with us.

