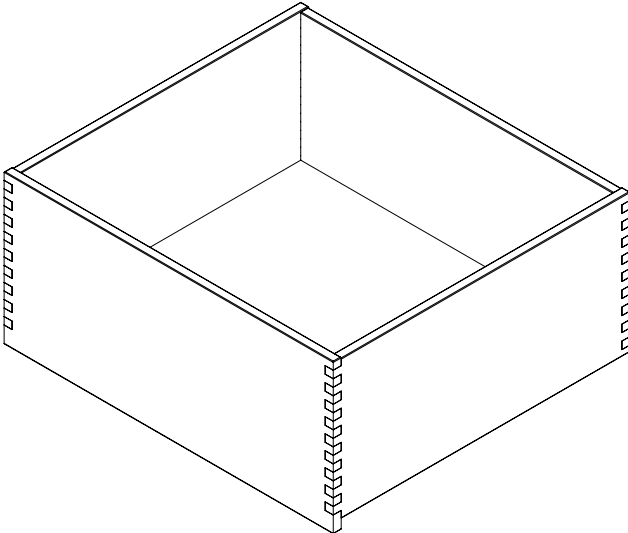


PRODUCT MANUAL

WOOD DRAWER





English

Important information.
Read carefully. Follow each step of the instruction carefully.
Keep this information for further reference.

WARNING

Serious or fatal crushing injuries can occur from furniture tip-over. To prevent this furniture from tipping over it must be permanently fixed to the wall with the included wall attachment devices.

Fastening devices for the wall are not included since different wall materials require different types of fastening devices. Use fastening devices suitable for the walls in your home. For advice on suitable fastening devices, contact your local specialized dealer.

Safety recommendation:

- Place heaviest items in the lowest drawers.
- Prevent children from climbing or hanging on the drawers, doors or shelves.

Dansk

Vigtige oplysninger Læs omhyggeligt Følg de enkelte trin i anvisningerne omhyggeligt Gem disse oplysninger til senere brug.

ADVARSEL!

Der kan opstå alvorlig eller livsfarlig tilskadekomst, hvis møblet vælter. For at undgå, at møblet vælter, skal det fastgøres permanent til væggen med de medfølgende vægbeslag.

Forskellige vægmaterialer kræver forskellige skruer og rawplugs. Medfølger ikke. Brug skruer og rawplugs, der passer til væggene i dit hjem. Hvis du er i tvivl om, hvilken type skruer/rawplugs du skal bruge, skal du kontakte et byggemarked.

Deutsch

Wichtige information.
Sorgfältig lesen. Jeden Schritt der Anleitung sorgfältig befolgen.
Diese Information aufbewahren.

ACHTUNG

Wenn Möbelstücke umkippen, können ernste oder lebensgefährliche Verletzungen durch Einklemmen die Folge sein. Um zu verhindern, dass dieses Möbelstück umkippt, muss es mit der beigegepackten Vorrichtung zur Wandbefestigung fest an der Wand verankert werden.

Beschläge für die Wandbefestigung sind nicht beigegepackt, da sie von der Beschaffenheit der Wand und des Untergrundmaterials abhängig sind. Befestigungsbeschläge benutzen, die für die heimischen Wände geeignet sind. Bei diesbezüglichen Fragen den.

Français

Information importante.
Lire attentivement. Suivre soigneusement chacune des étapes de ces instructions. Conserver ces instructions pour une utilisation ultérieure.

ATTENTION

Risque de blessure grave ou mortelle en cas de basculement du meuble. Pour éviter que le meuble ne bascule, il faut le fixer au mur de façon permanente à l'aide des pièces pour fixation incluses.

Les vis ne sont pas incluses car leur choix dépend du matériau du mur sur lequel est fixé le meuble. Utilisez des vis adaptées au matériau du mur. Pour obtenir des conseils sur les vis à utiliser, adressez-vous à un vendeur spécialisé.

INDEX

3	INTRODUCTION
4	DRAWER SLIDES
9	TIP-ON / BLUMOTION
10	INSTALLATION OF DRAWER BOX
18	FINAL ADJUSTMENTS

INTRODUCTION

In the following pages, you'll find easy-to-follow instructions with images that show you how to assemble your Reform wood drawers. The box is the same for the regular drawer box and the inner drawer box. The difference lies in the drillings on the front. The guide is divided into three sections and our equipment for wood drawers comes in 2-3 boxes:

- 1) Drawer box (3 sizes: low, medium, high)
- 2) Drawer slides (3 lengths: 12 5/8 inch, 15 3/4 inch, 19 11/16 inch)
- 3) (OPTIONAL) push-system / tip-on blumotion technology

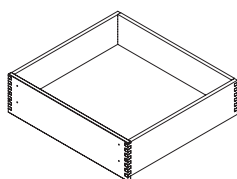
If you'd like more in-depth information about blumotion technology, we recommend visiting the manufacturer, Blum: <https://www.blum.com/mk/en/products/motion-technologies/tip-on-blumotion/movento/programme/>

TOOLS YOU MIGHT NEED

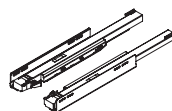


SCREWDRIVER PH

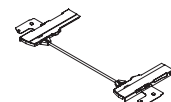
EQUIPMENT



DRAWER
HIGH / MEDIUM / LOW



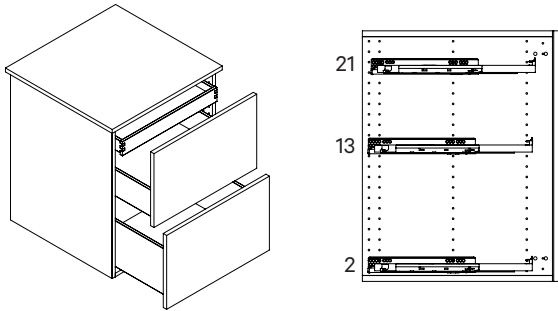
DRAWER SLIDES
LENGTH 12 5/8 IN / 15 3/4 IN / 19 11/16 IN



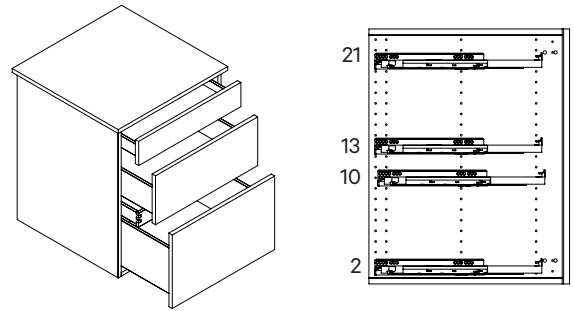
PUSH FUNCTION
TIP-ON BLUMOTION

DRAWER SLIDES PLACEMENTS 1

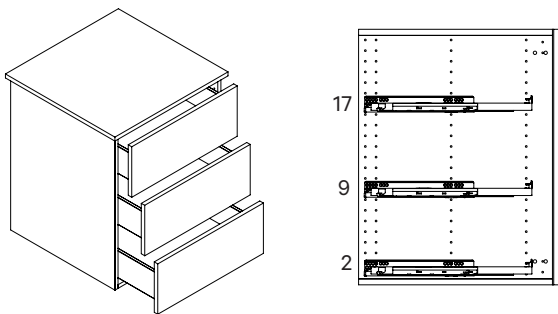
Below, you'll find the five most common combinations.



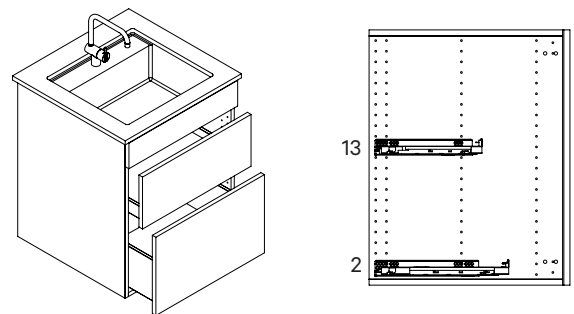
DRAWER SLIDES PLACEMENT 1.



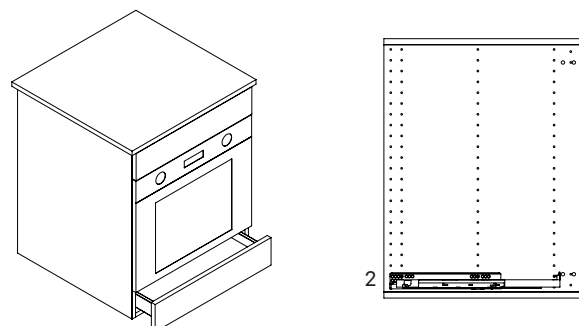
DRAWER SLIDES PLACEMENT 2.



DRAWER SLIDES PLACEMENT 3.



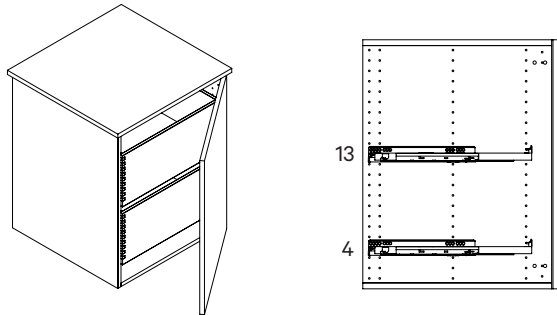
DRAWER SLIDES PLACEMENT 4.



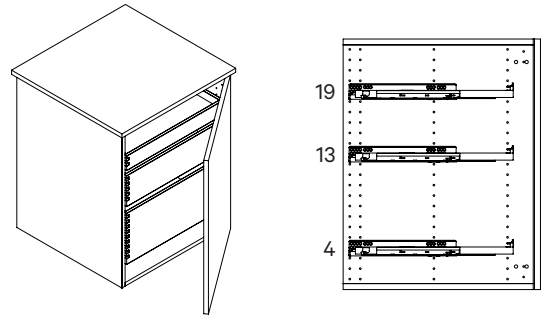
DRAWER SLIDES PLACEMENT 5.

DRAWER SLIDES PLACEMENTS 2

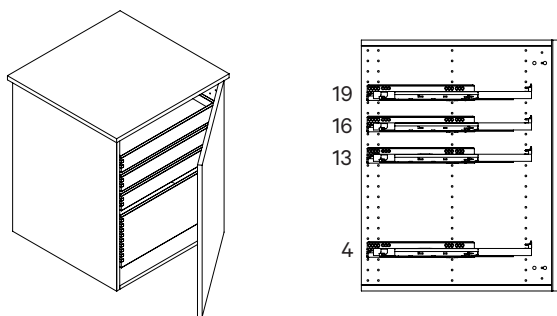
Below, you'll find the five most common combinations.



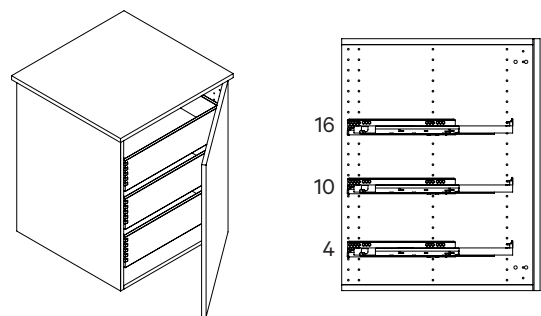
DRAWER SLIDES PLACEMENT 1.



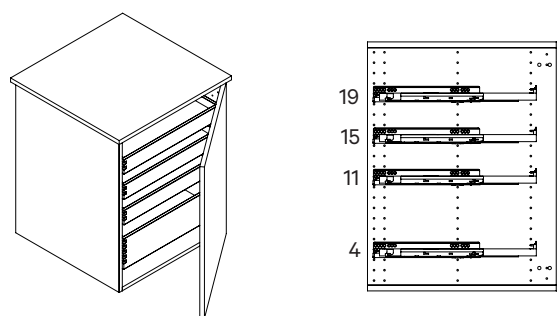
DRAWER SLIDES PLACEMENT 2.



DRAWER SLIDES PLACEMENT 3.



DRAWER SLIDES PLACEMENT 4.

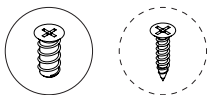
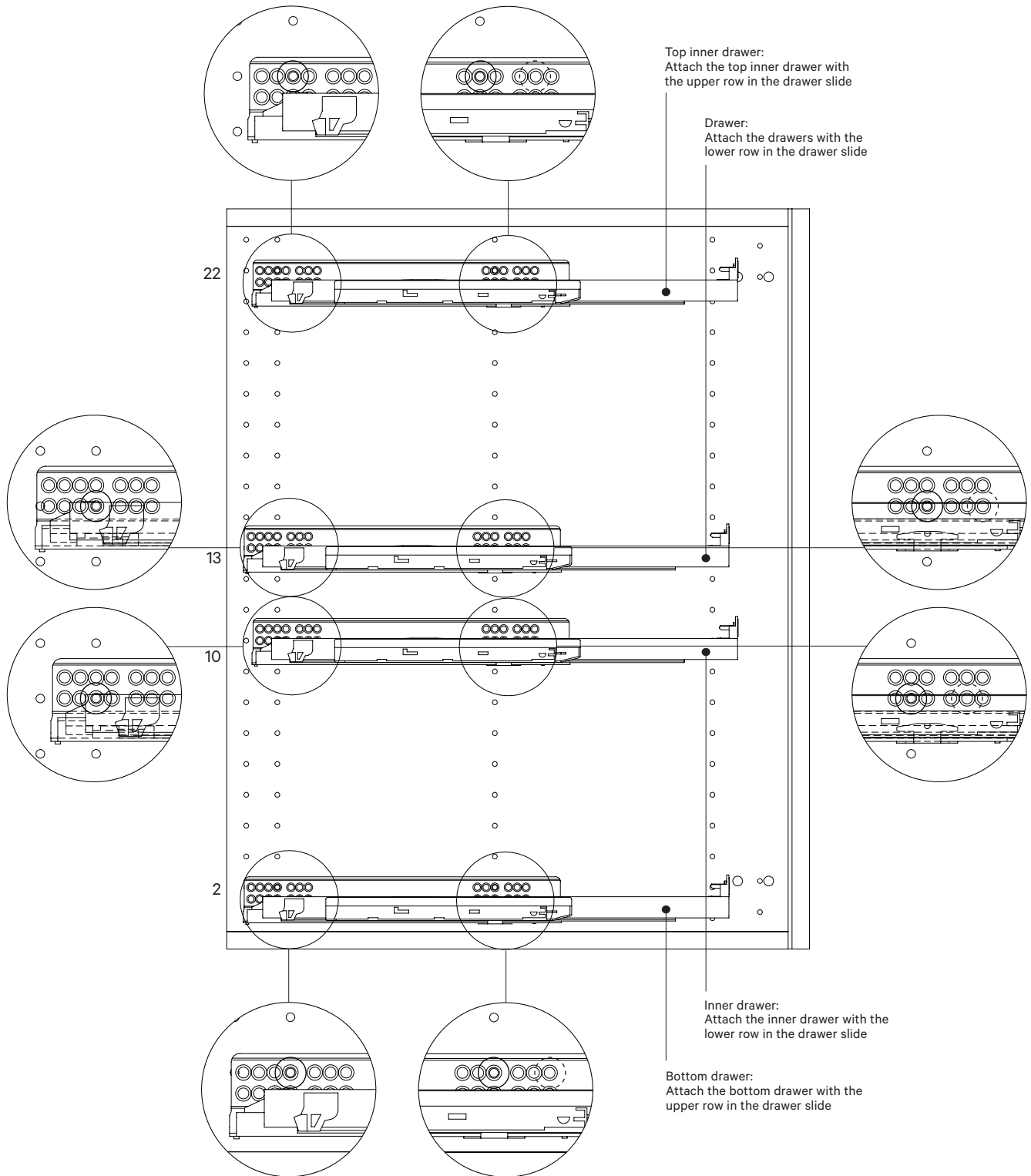


DRAWER SLIDES PLACEMENT 5.

MOUNTING DRAWER SLIDES

Make sure that you use the right drawer slide hole when you mount the slide on the cabinet. Note that drawer slides for drawers and inner drawers are mounted differently than for top and bottom drawers.

CABINET WITH A 24 INCH DEPTH + 19 11/16 INCH DRAWER SLIDES

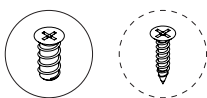
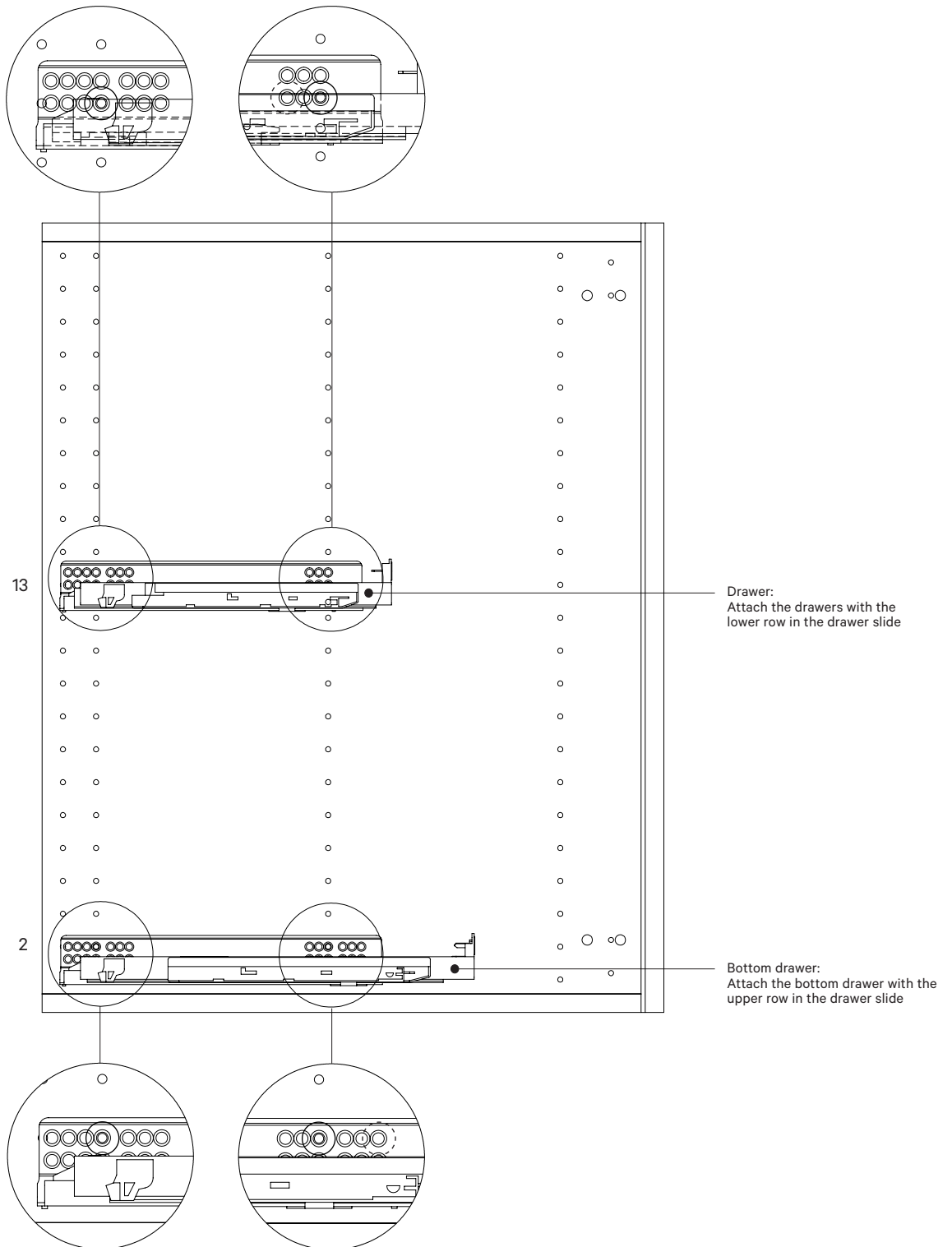


PLEASE NOTE THAT YOU HAVE TWO TYPES OF SCREWS.
EACH SCREW IS COMPATIBLE WITH A PARTICULAR HOLE.

MOUNTING DRAWER SLIDES

Make sure that you use the right drawer slide hole when you mount the slide on the cabinet. Note that drawer slides for drawers and inner drawers are mounted differently than for top and bottom drawers.

SINK CABINET

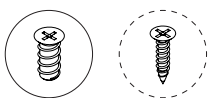
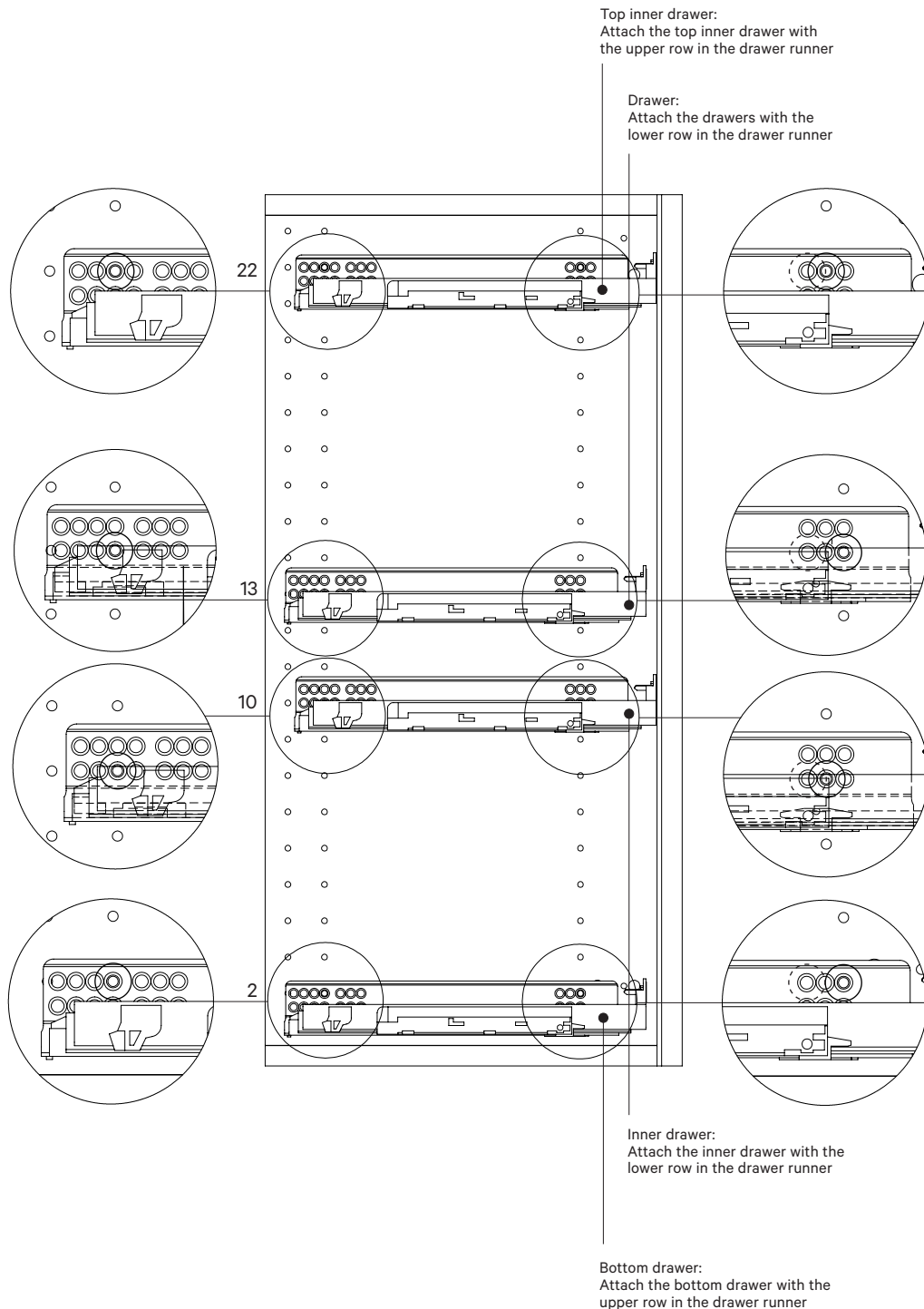


PLEASE NOTE THAT YOU HAVE TWO TYPES OF SCREWS.
EACH SCREW IS COMPATIBLE WITH A PARTICULAR HOLE.

MOUNTING DRAWER SLIDES

Make sure that you use the right drawer slide hole when you mount the slide on the cabinet. Note that drawer slides for drawers and inner drawers are mounted differently than for top and bottom drawers.

CABINET WITH A 15 INCH DEPTH + 12 5/8 INCH DRAWER SLIDES

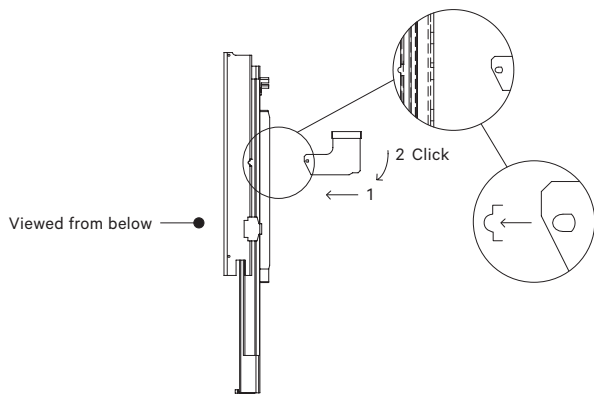


PLEASE NOTE THAT YOU HAVE TWO TYPES OF SCREWS.
EACH SCREW IS COMPATIBLE WITH A PARTICULAR HOLE.

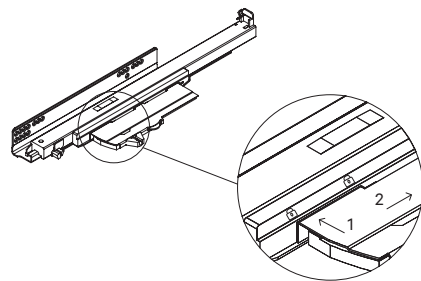
TIP-ON / BLUMOTION

If you've acquired push-function for your drawers, follow the instructions outlined below.

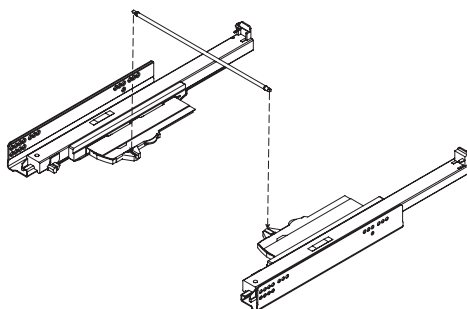
If you'd like more in-depth information on TIP-ON BLUMOTION technology, we recommend visiting the wooden drawer manufacturer, Blum: <https://www.blum.com/us/en/products/runnersystems/movento/assembly/>



STEP 1 - LATCH



STEP 2 - UNIT



STEP 3 - SYNCHRONIZATION ROD

INSTALLATION OF DRAWER BOX

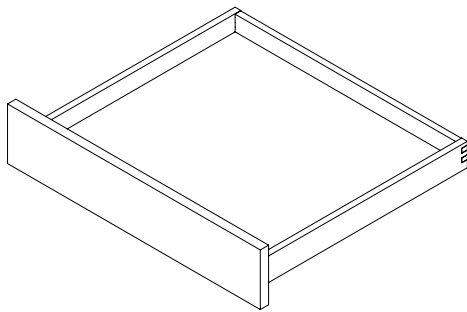
In the following pages, you'll find instructions for mounting these combinations:

- 1) Low drawer box + 5" / 10" / 15" front
- 2) Medium drawer box + 10" / 15" front
- 3) High drawer box + 15" / 20" / 30" front

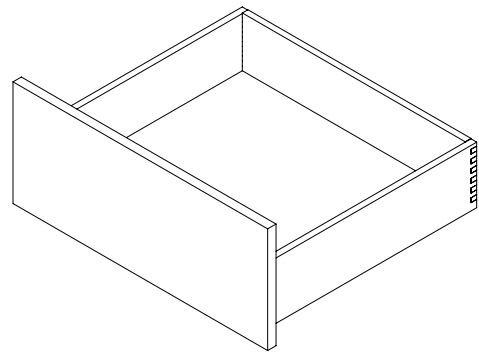
Please note that the fronts should be mounted according to the specific drawer location in the cabinet.

Drawer box \ Front size	5"	10"	15"	20"	30"
Low	Page 12	Page 13	Page 13	-	-
Medium	-	Page 14	Page 15	-	-
High	-	-	Page 16	Page 17	Page 17

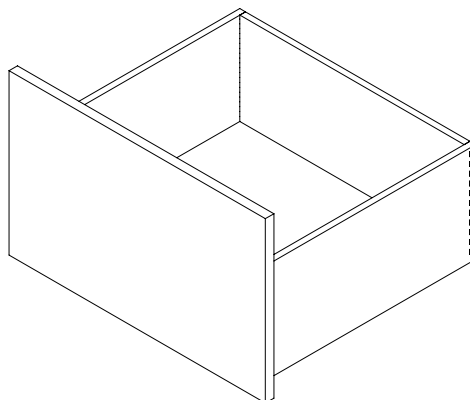
OVERVIEW



LOW



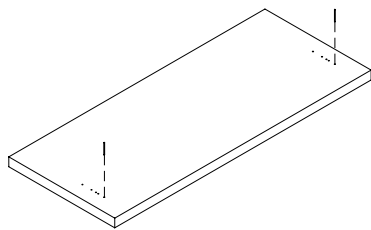
MEDIUM



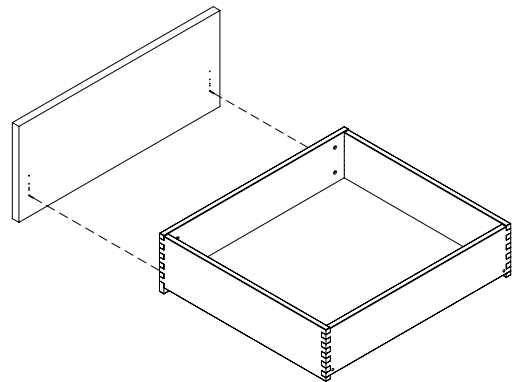
HIGH

MOUNTING DRAWER FRONTS GENERAL INTRODUCTION

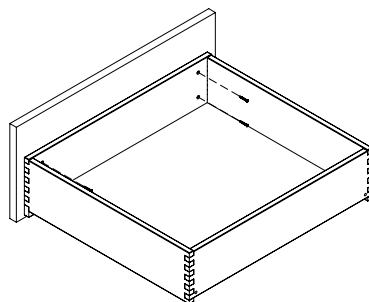
Please note that the fronts should be mounted according to the specific drawer location in the cabinet.



STEP 1
PLACE THE DOWELS ON THE FRONT.
SEE WHICH HOLES TO USE IN THE FOLLOWING PAGES.



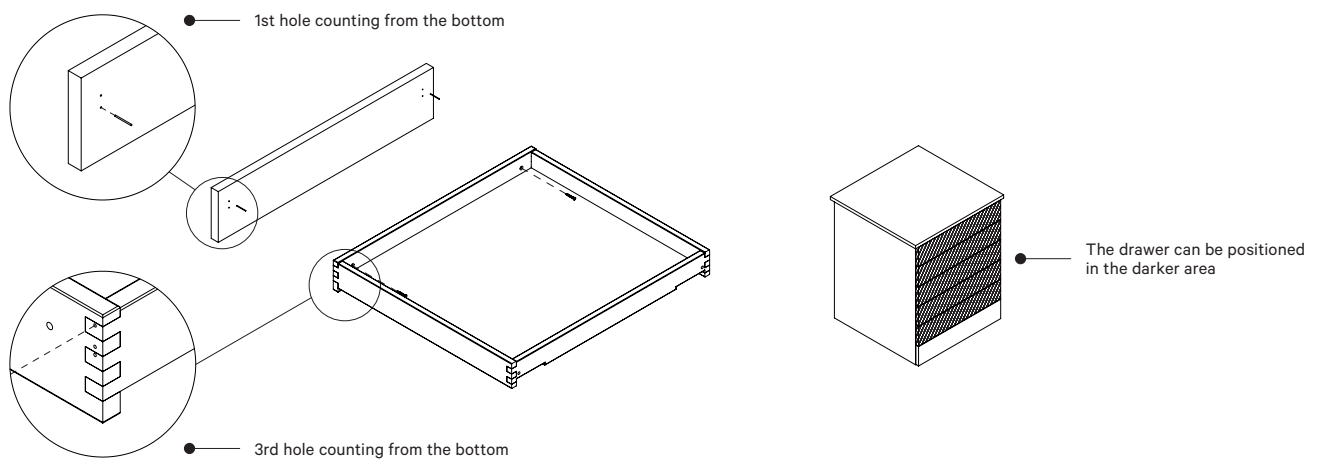
STEP 2
ASSEMBLE THE FRONT AND THE DRAWER.
SEE WHICH HOLES TO USE IN THE FOLLOWING PAGES.



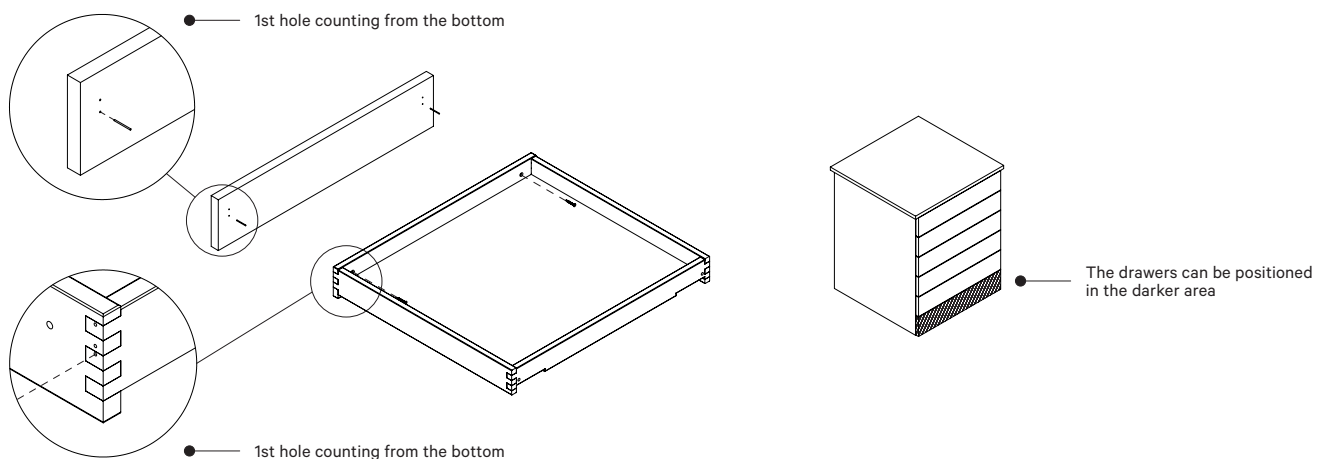
STEP 3
FIX IT WITH WOOD SCREWS.

MOUNTING DRAWER FRONTS LOW DRAWER + 5" FRONT

Drawer box \ Front size	5"	10"	15"	20"	30"
Low	x	x	x	-	-

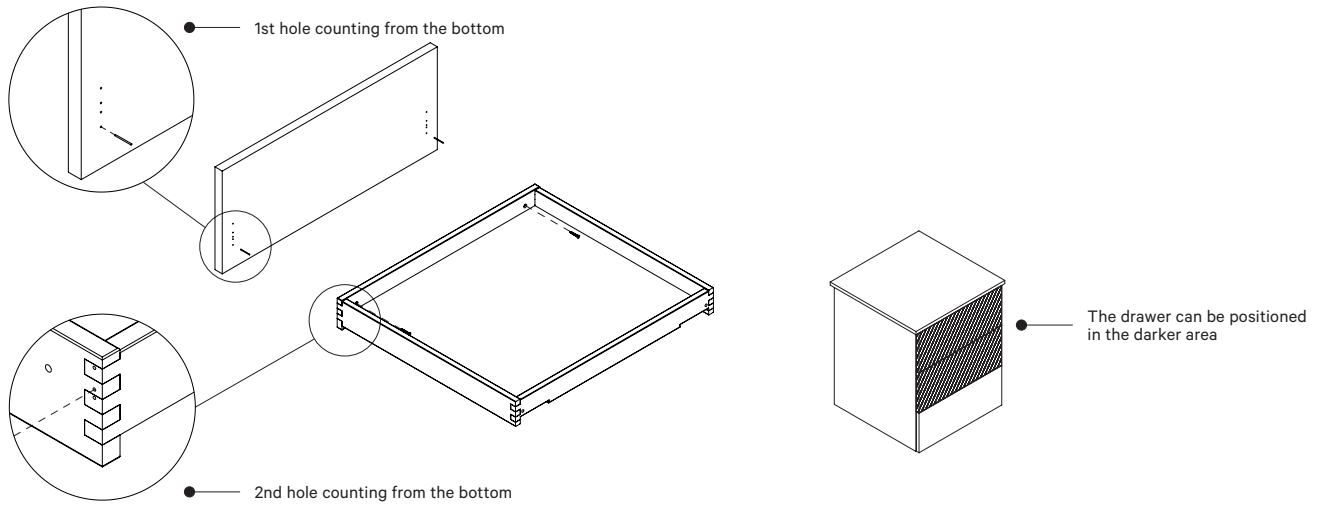


DRAWER POSITIONED IN THE TOP AND THE MIDDLE.

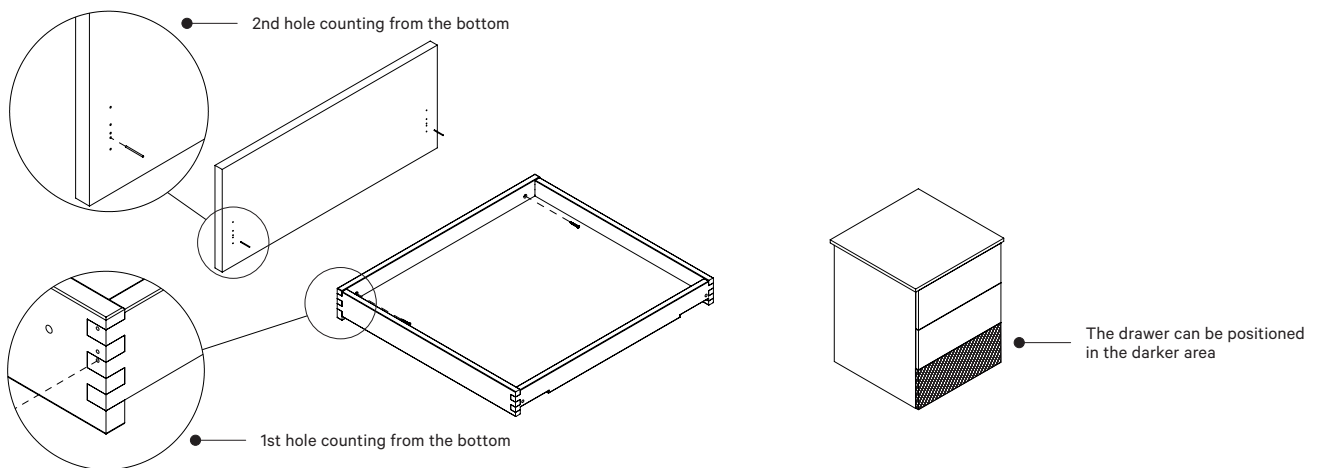


DRAWER FRONT POSITIONED IN THE BOTTOM.

MOUNTING DRAWER FRONTS LOW DRAWER + 10" FRONT

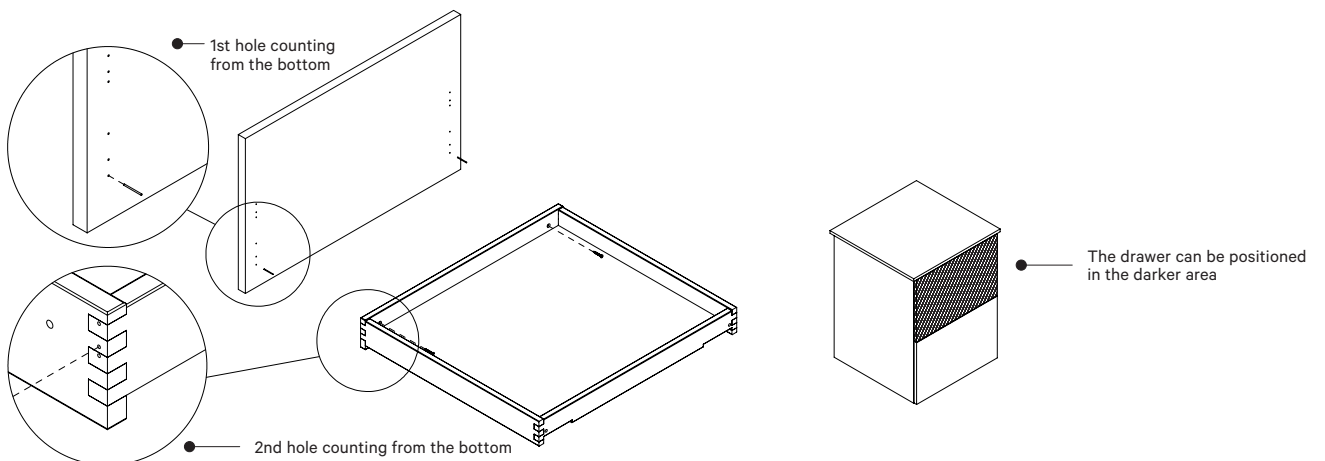


DRAWER POSITIONED IN THE TOP AND THE MIDDLE.



DRAWER FRONT POSITIONED IN THE BOTTOM.

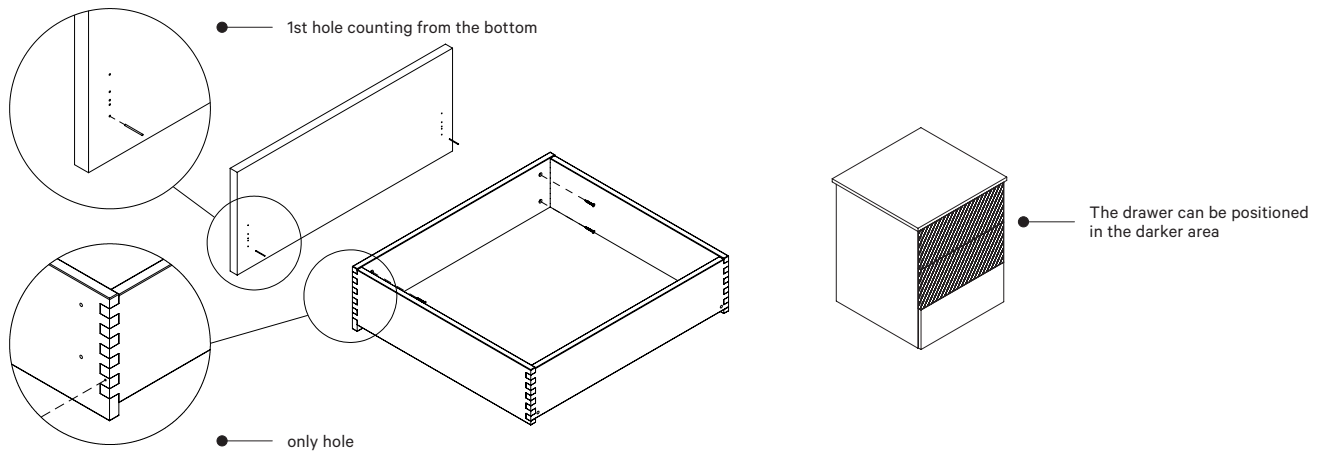
LOW DRAWER + 15" FRONT



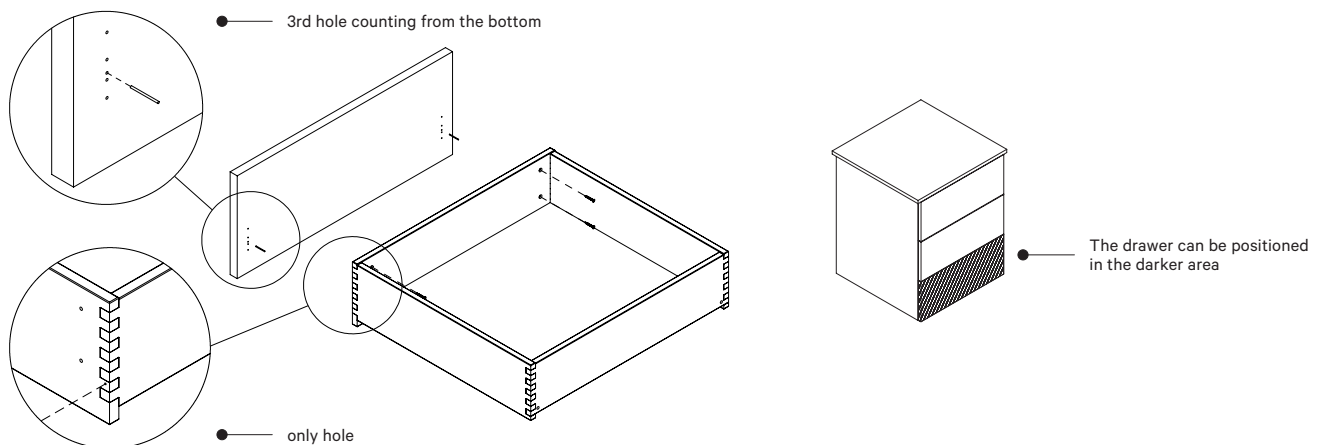
DRAWER POSITIONED IN THE TOP.

MOUNTING DRAWER FRONTS MEDIUM DRAWER + 10" FRONT

Drawer box \ Front size	5"	10"	15"	20"	30"
Medium	-	x	x	-	-

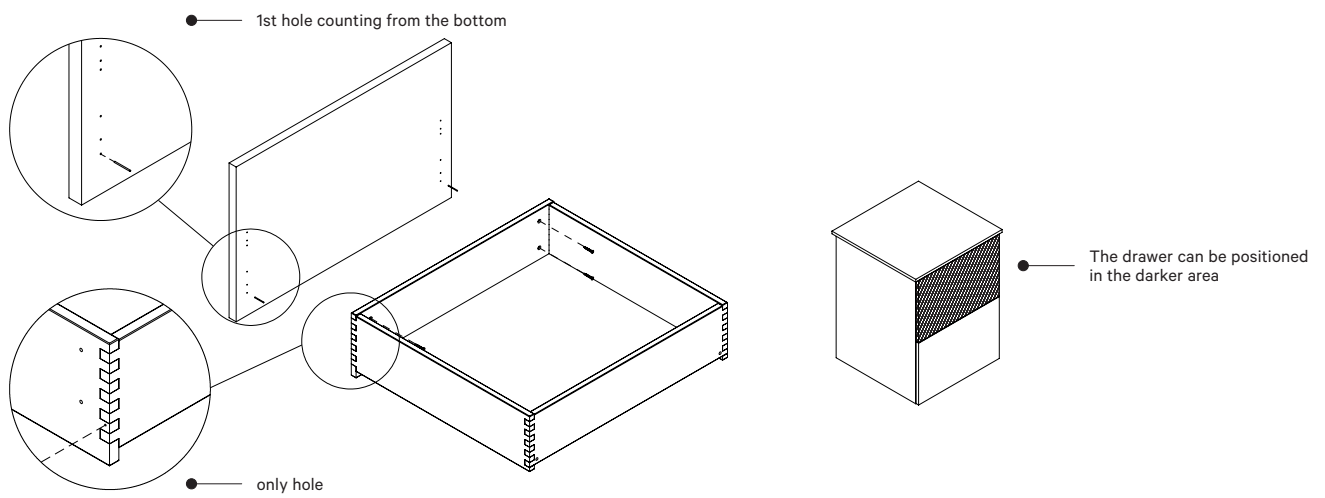


DRAWER POSITIONED IN THE TOP AND THE MIDDLE.

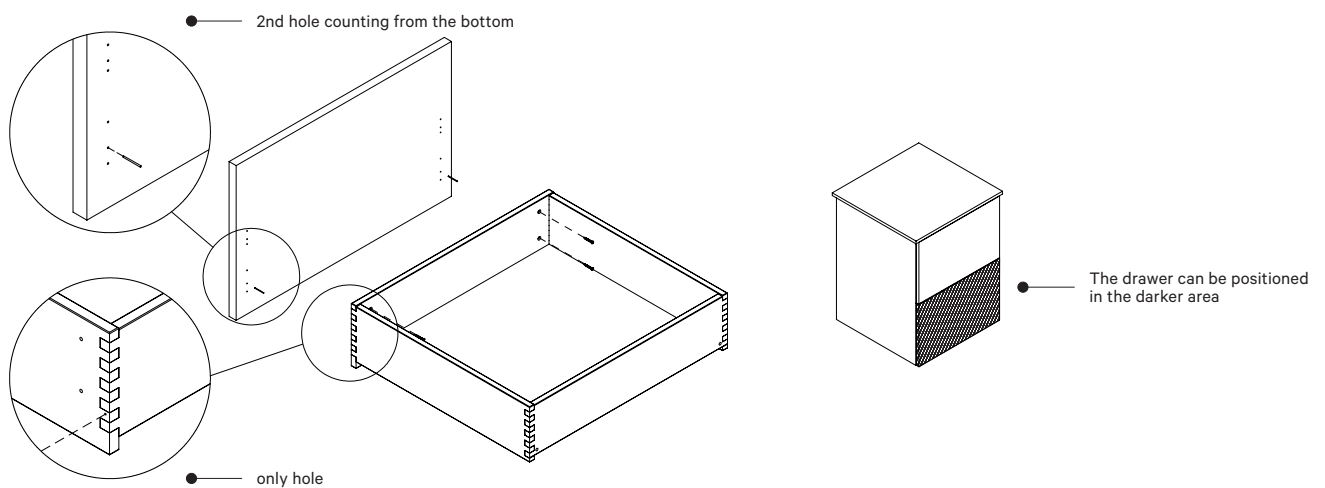


DRAWER POSITIONED IN THE BOTTOM.

MOUNTING DRAWER FRONTS MEDIUM DRAWER + 15" FRONT



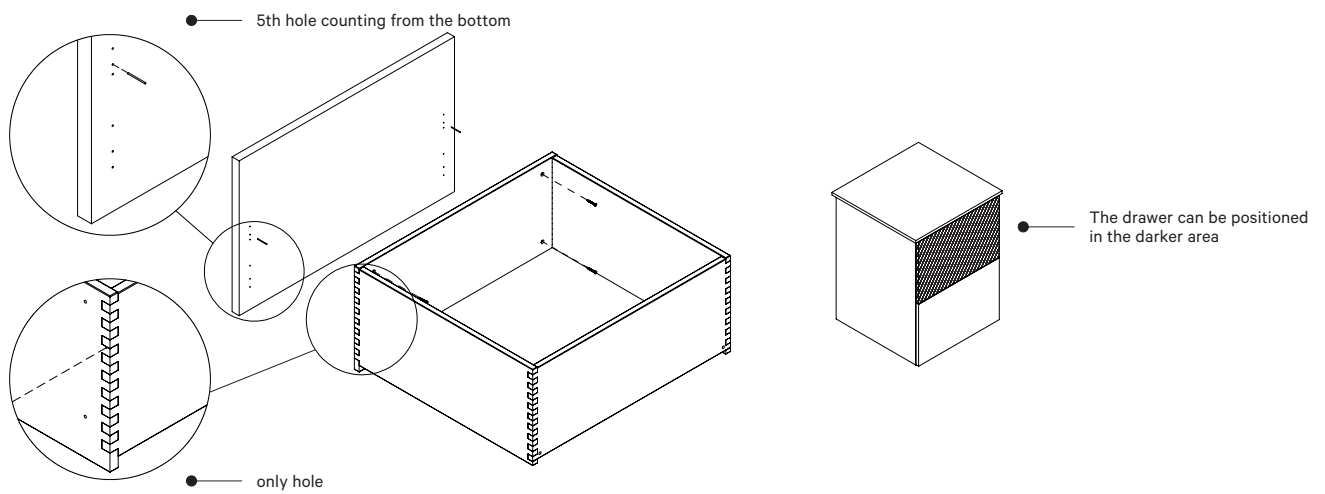
DRAWER POSITIONED IN THE TOP.



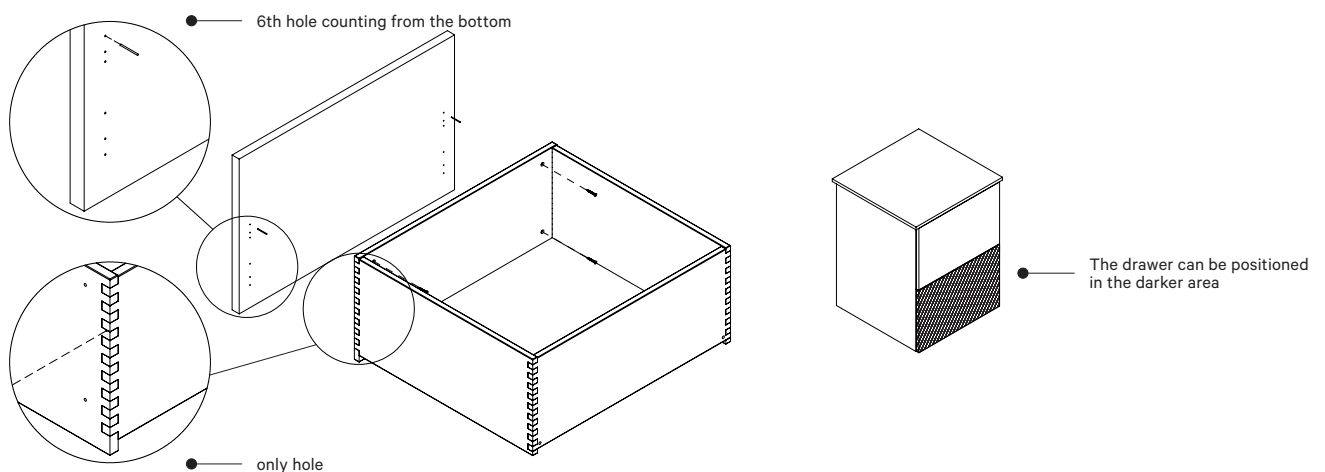
DRAWER POSITIONED IN THE BOTTOM.

MOUNTING DRAWER FRONTS HIGH DRAWER + 15" FRONT

Front size Drawer box	5"	10"	15"	20"	30"
High	-	-	x	x	x

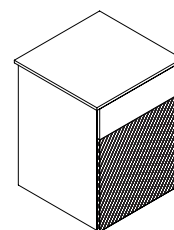
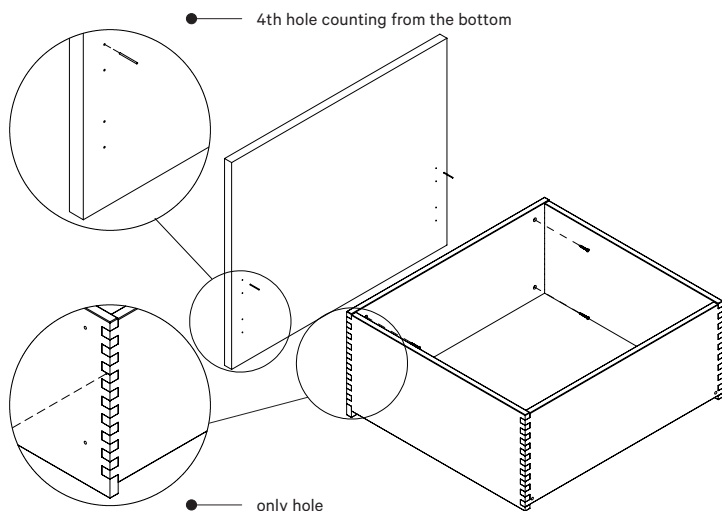


DRAWER POSITIONED IN THE TOP.



DRAWER POSITIONED IN THE BOTTOM.

MOUNTING DRAWER FRONTS HIGH DRAWER + 20"/ 30" FRONT



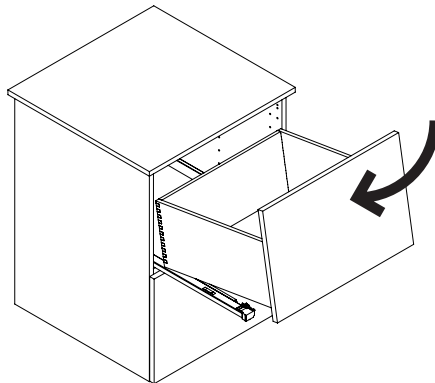
The drawer can be positioned in the darker area

DRAWER POSITIONED IN THE BOTTOM.

FINAL ADJUSTMENTS MOUNTING / UNMOUNTING

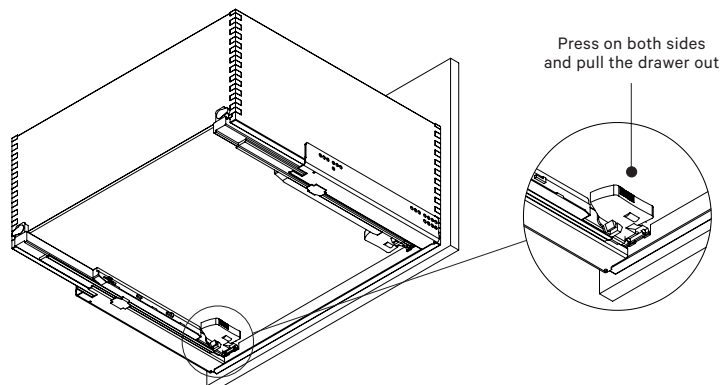
If you'd like more in-depth information on adjustments, we recommend visiting the wooden drawer manufacturer, Blum: <https://www.blum.com/us/en/products/runnersystems/movento/assembly/>.

MOUNTING



TO INSERT THE DRAWER TO THE CABINET PLACE THE BACK OF THE DRAWER ONTO THE RUNNERS AND SLIDE THE DRAWER IN UNTIL YOU FEEL IT CLICK.

UNMOUNTING

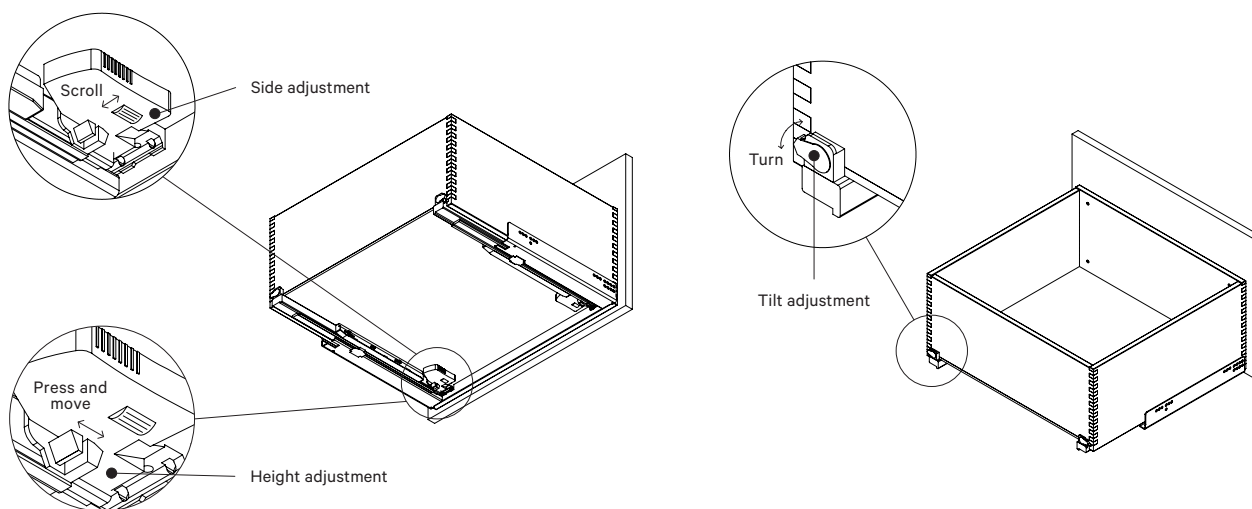


IN CASE YOU NEED TO UNMOUNT THE DRAWER: WITH THE DRAWER FULLY EXTENDED, REACH UNDER THE DRAWER AND SQUEEZE THE RELEASE LEVELERS FOR THE LOCKING DEVICES. THEN PULL THE DRAWER OUT.

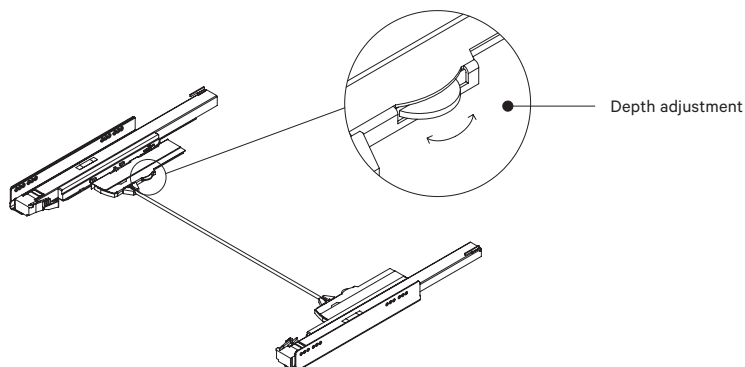
FINAL ADJUSTMENTS DRAWER ADJUSTMENT / TIP-ON BLUMOTION

In case you need to make adjustments to your drawer position, follow the instructions below.

If you'd like more in-depth information on adjustments, we recommend visiting the wooden drawer manufacturer Blum: <https://www.blum.com/us/en/products/runnersystems/movento/assembly/>



MAKING ADJUSTMENTS WITH DRAWER SLIDES. ADJUST FROM BOTH SIDES.



DEPTH ADJUSTMENT: MOVE TOWARDS BACK TO MOVE THE DRAWER INSIDE AND TOWARDS OUTSIDE TO MOVE IT OUT. ADJUST FROM BOTH SIDES.