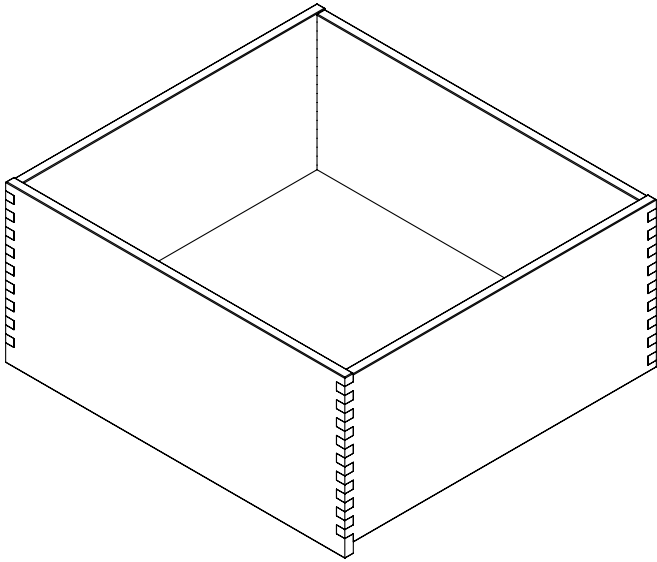


# PRODUCT MANUAL

## WOOD DRAWER





## English

Important information.  
Read carefully. Follow each step of the instruction carefully.  
Keep this information for further reference.

**WARNING**

**Serious or fatal crushing injuries can occur from furniture tip-over. To prevent this furniture from tipping over it must be permanently fixed to the wall with the included wall attachment devices.**

Fastening devices for the wall are not included since different wall materials require different types of fastening devices. Use fastening devices suitable for the walls in your home. For advice on suitable fastening devices, contact your local specialized dealer.

## Safety recommendation:

- Place heaviest items in the lowest drawers.
- Prevent children from climbing or hanging on the drawers, doors or shelves.

## Dansk

Vigtige oplysninger Læs omhyggeligt Følg de enkelte trin i anvisningerne omhyggeligt Gem disse oplysninger til senere brug.

**ADVARSEL!**

**Der kan opstå alvorlig eller livsfarlig tilskadekomst, hvis møblet vælter. For at undgå, at møblet vælter, skal det fastgøres permanent til væggen med de medfølgende vægbeslag.**

Forskellige vægmaterialer kræver forskellige skruer og rawplugs. Medfølger ikke. Brug skruer og rawplugs, der passer til væggene i dit hjem. Hvis du er i tvivl om, hvilken type skruer/rawplugs du skal bruge, skal du kontakte et byggemarked.

## Deutsch

Wichtige information.  
Sorgfältig lesen. Jeden Schritt der Anleitung sorgfältig befolgen.  
Diese Information aufbewahren.

**ACHTUNG**

**Wenn Möbelstücke umkippen, können ernste oder lebensgefährliche Verletzungen durch Einklemmen die Folge sein. Um zu verhindern, dass dieses Möbelstück umkippt, muss es mit der beigegepackten Vorrichtung zur Wandbefestigung fest an der Wand verankert werden.**

Beschläge für die Wandbefestigung sind nicht beigegepackt, da sie von der Beschaffenheit der Wand und des Untergrundmaterials abhängig sind. Befestigungsbeschläge benutzen, die für die heimischen Wände geeignet sind. Bei diesbezüglichen Fragen den.

## Français

Information importante.  
Lire attentivement. Suivre soigneusement chacune des étapes de ces instructions. Conserver ces instructions pour une utilisation ultérieure.

**ATTENTION**

**Risque de blessure grave ou mortelle en cas de basculement du meuble. Pour éviter que le meuble ne bascule, il faut le fixer au mur de façon permanente à l'aide des pièces pour fixation incluses.**

Les vis ne sont pas incluses car leur choix dépend du matériau du mur sur lequel est fixé le meuble. Utilisez des vis adaptées au matériau du mur. Pour obtenir des conseils sur les vis à utiliser, adressez-vous à un vendeur spécialisé.

# INDEX

3	INTRODUCTION
4	DRAWER SLIDES
9	TIP-ON / BLUMOTION
10	INSTALLATION OF DRAWER BOX
20	FINAL ADJUSTMENTS

# INTRODUCTION

In the following pages, you'll find easy-to-follow instructions with images that show you how to assemble your Reform wood drawers. The box is the same for the regular drawer box and the inner drawer box. The difference lies in the drillings on the front. The guide is divided into three sections and our equipment for wood drawers comes in 2-3 boxes:

- 1) Drawer box (3 sizes: low, medium, high)
- 2) Drawer slides (3 lengths: 320 mm, 400 mm, 500 mm)
- 3) (OPTIONAL) push-system / tip-on blumotion technology

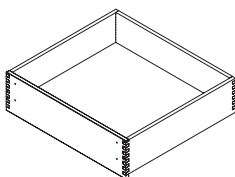
If you'd like more in-depth information about blumotion technology, we recommend visiting the manufacturer, Blum: <https://www.blum.com/mk/en/products/motion-technologies/tip-on-blumotion/movento/programme/>

## TOOLS YOU MIGHT NEED

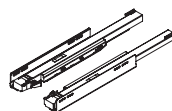


SCREWDRIVER PH

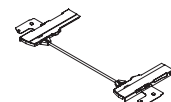
## EQUIPMENT



DRAWER  
HIGH / MEDIUM / LOW



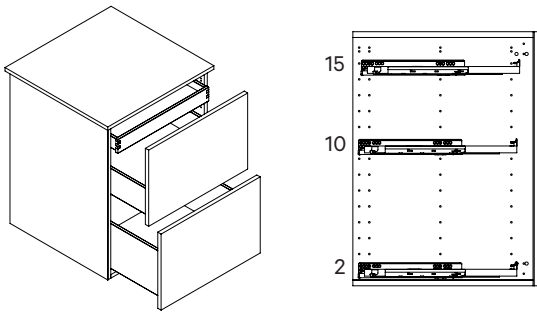
DRAWER SLIDES  
LENGTH 320 MM / 400 MM / 500 MM



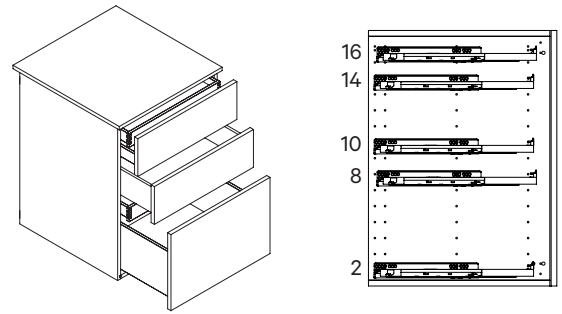
PUSH FUNCTION  
TIP-ON BLUMOTION

# DRAWER SLIDES PLACEMENTS 1

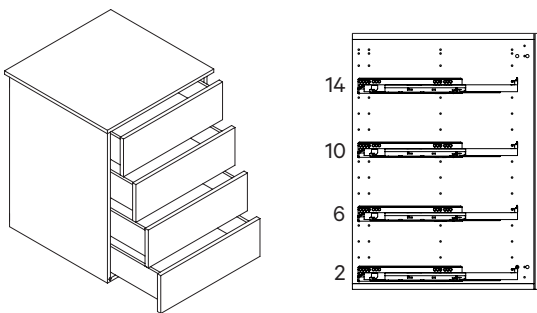
Below, you'll find the five most common combinations.



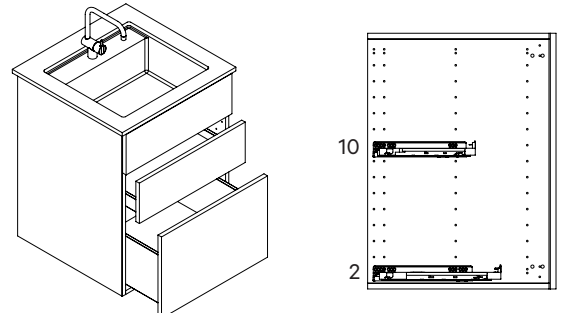
DRAWER SLIDES PLACEMENT 1.



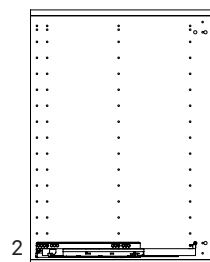
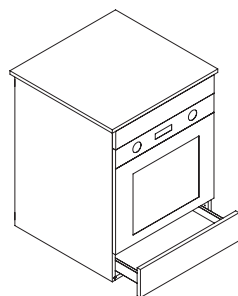
DRAWER SLIDES PLACEMENT 2.



DRAWER SLIDES PLACEMENT 3.



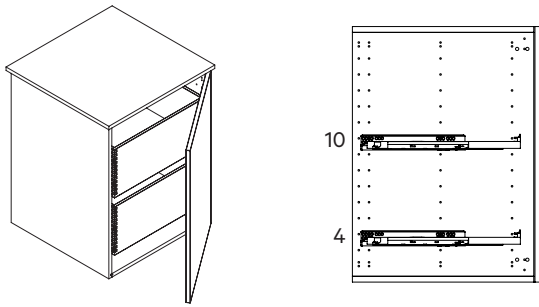
DRAWER SLIDES PLACEMENT 4.



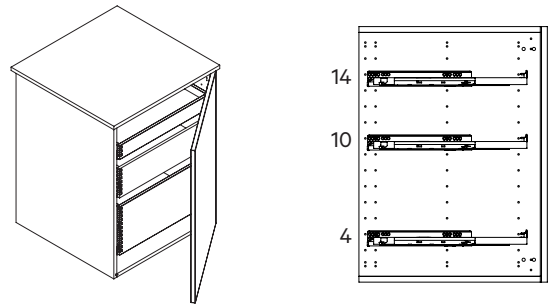
DRAWER SLIDES PLACEMENT 5.

# DRAWER SLIDES PLACEMENTS 2

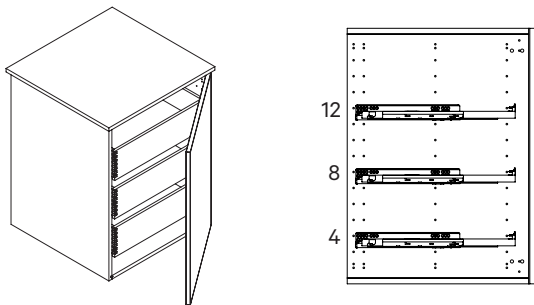
Below, you'll find the five most common combinations.



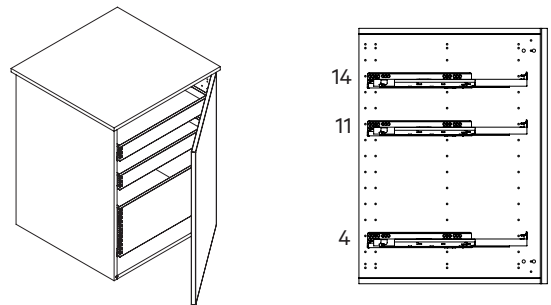
DRAWER SLIDES PLACEMENT 1.



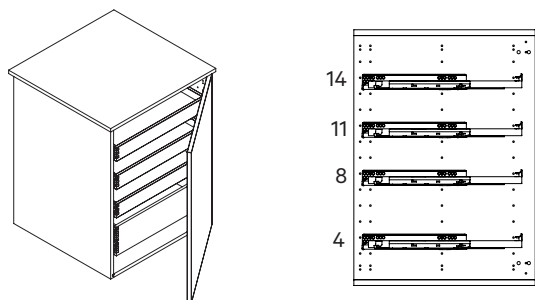
DRAWER SLIDES PLACEMENT 2.



DRAWER SLIDES PLACEMENT 3.



DRAWER SLIDES PLACEMENT 4.

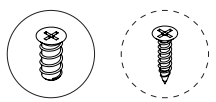
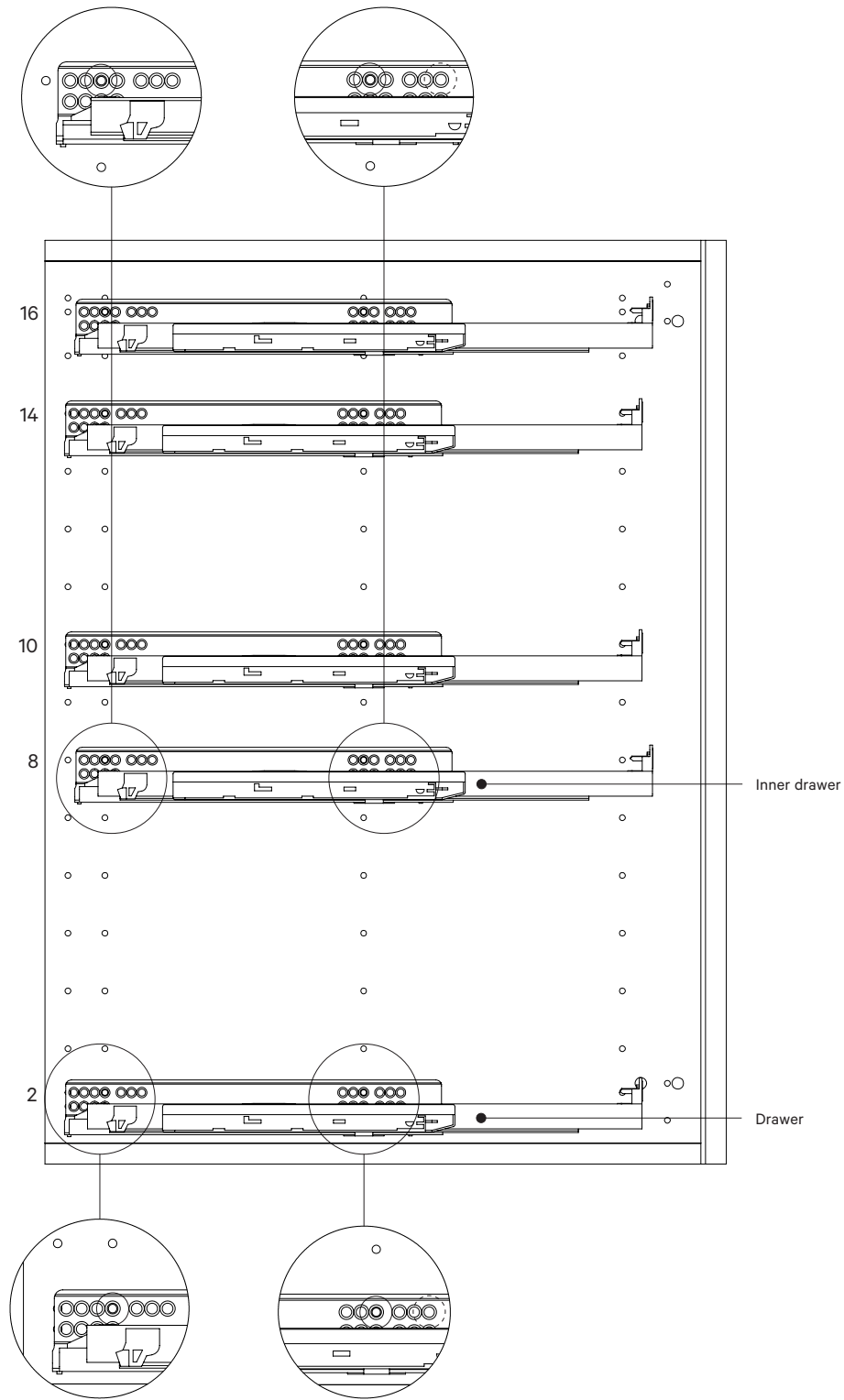


DRAWER SLIDES PLACEMENT 5.

# MOUNTING DRAWER SLIDES

Make sure that you use the right drawer slide hole when you mount the slide on the cabinet. Note that drawer slides for inner drawers are mounted differently.

CABINET WITH A 60 CM DEPTH + 500 MM DRAWER SLIDES

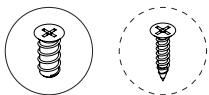
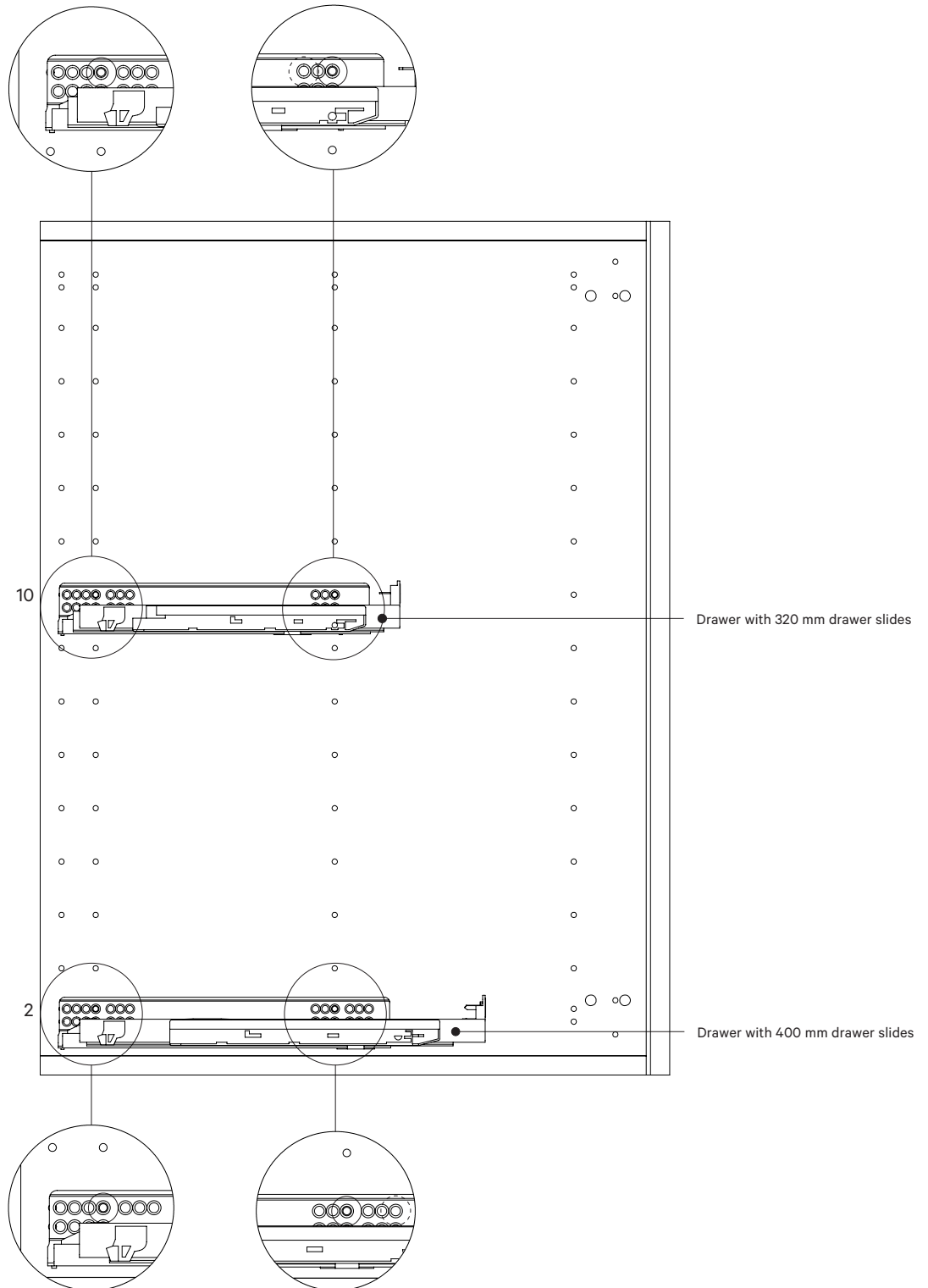


PLEASE NOTE THAT YOU HAVE TWO TYPES OF SCREWS.  
EACH SCREW IS COMPATIBLE WITH A PARTICULAR HOLE.

# MOUNTING DRAWER SLIDES

Make sure that you use the right drawer slide hole when you mount the slide on the cabinet. Note that drawer slides for inner drawers are mounted differently.

## SINK CABINET



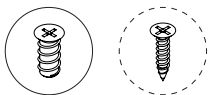
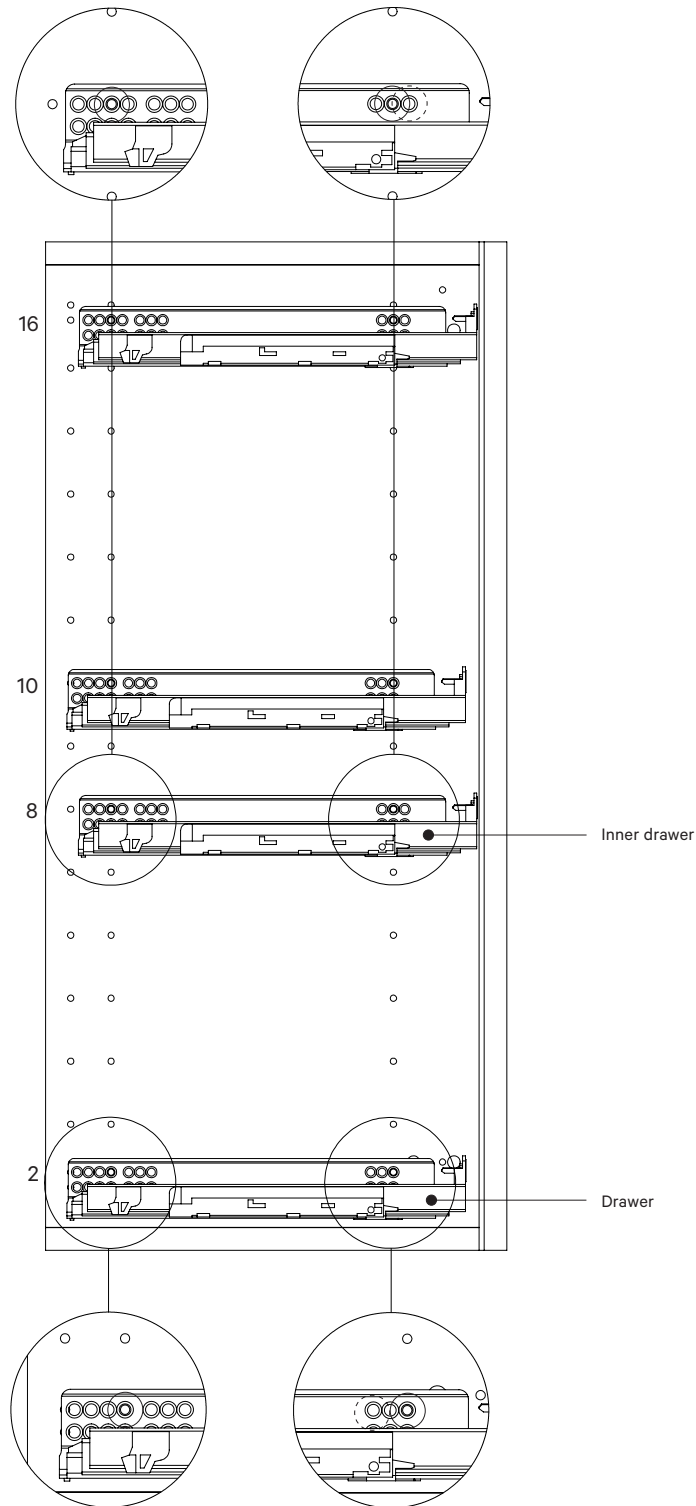
PLEASE NOTE THAT YOU HAVE TWO TYPES OF SCREWS.  
EACH SCREW IS COMPATIBLE WITH A PARTICULAR HOLE.



# MOUNTING DRAWER SLIDES

Make sure that you use the right drawer slide hole when you mount the slide on the cabinet. Note that drawer slides for inner drawers are mounted differently.

CABINET WITH A 37 CM DEPTH + 320 MM DRAWER SLIDES

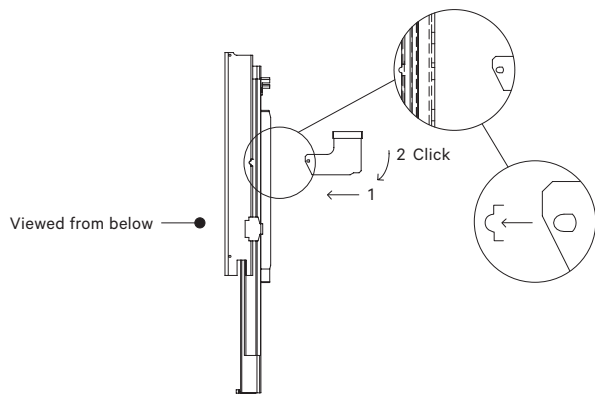


PLEASE NOTE THAT YOU HAVE TWO TYPES OF SCREWS.  
EACH SCREW IS COMPATIBLE WITH A PARTICULAR HOLE.

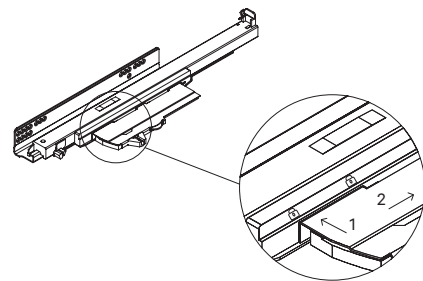
# TIP-ON / BLUMOTION

If you've acquired push-function for your drawers, follow the instructions outlined below.

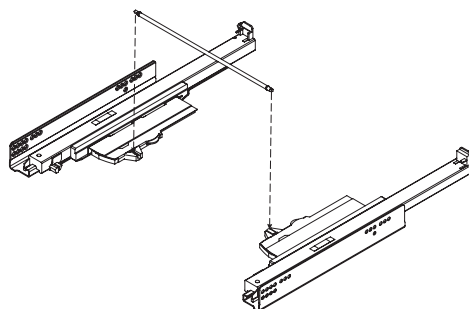
If you'd like more in-depth information on TIP-ON BLUMOTION technology, we recommend visiting the wooden drawer manufacturer, Blum: <https://www.blum.com/us/en/products/runnersystems/movento/assembly/>



STEP 1 - LATCH



STEP 2 - UNIT



STEP 3 - SYNCHRONIZATION ROD

# INSTALLATION OF DRAWER BOX

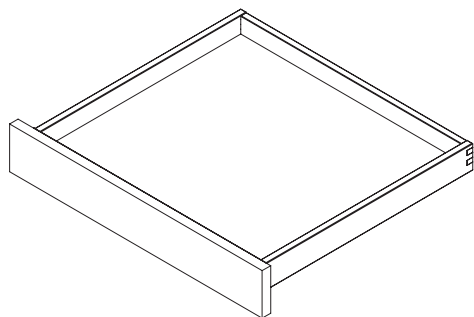
In the following pages, you'll find instructions for mounting these combinations:

- 1) Low drawer box + 10 cm / 15 cm / 20 cm / 40 cm front
- 2) Medium drawer box + 20 cm / 40 cm front
- 3) High drawer box + 40 cm / 60 cm / 80 cm front

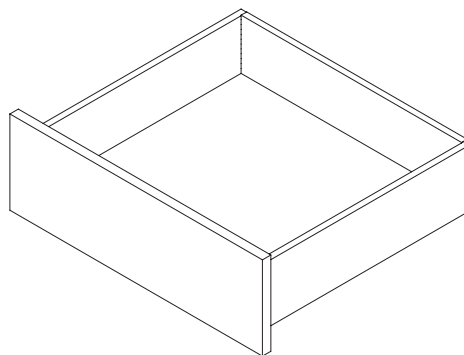
Please note that the fronts should be mounted according to the specific drawer location in the cabinet.

Drawer box \ Front size	10 cm	15 cm	20 cm	40 cm	60 cm	80 cm
Low	Page 12	Page 13	Page 14	Page 15	-	-
Medium	-	-	Page 16	Page 17	-	-
High	-	-	-	Page 18	Page 19	Page 19

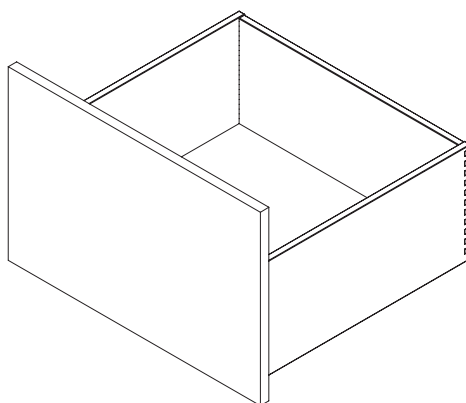
## OVERVIEW



LOW



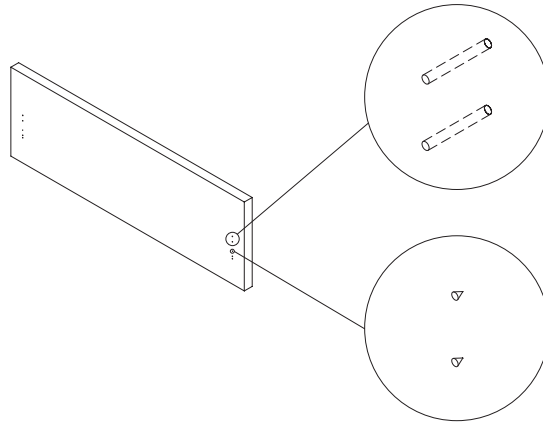
MEDIUM



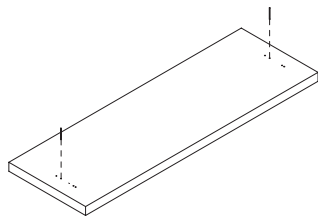
HIGH

# MOUNTING DRAWER FRONTS GENERAL INTRODUCTION

Please note that the fronts should be mounted according to the specific drawer location in the cabinet.

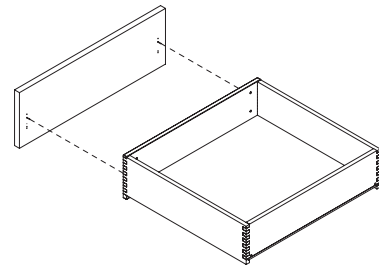


HOLES AND DOTS



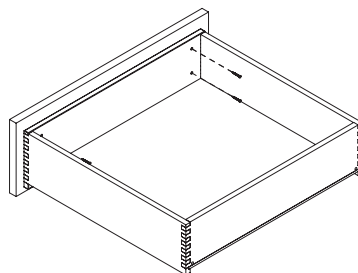
**STEP 1**

START BY PLACING THE DOWELS ON THE FRONT.  
SEE WHAT HOLES TO USE IN THE FOLLOWING PAGES.



**STEP 2**

ASSEMBLE THE FRONT AND THE DRAWER.  
SEE WHAT HOLES TO USE ON THE FOLLOWING PAGES.

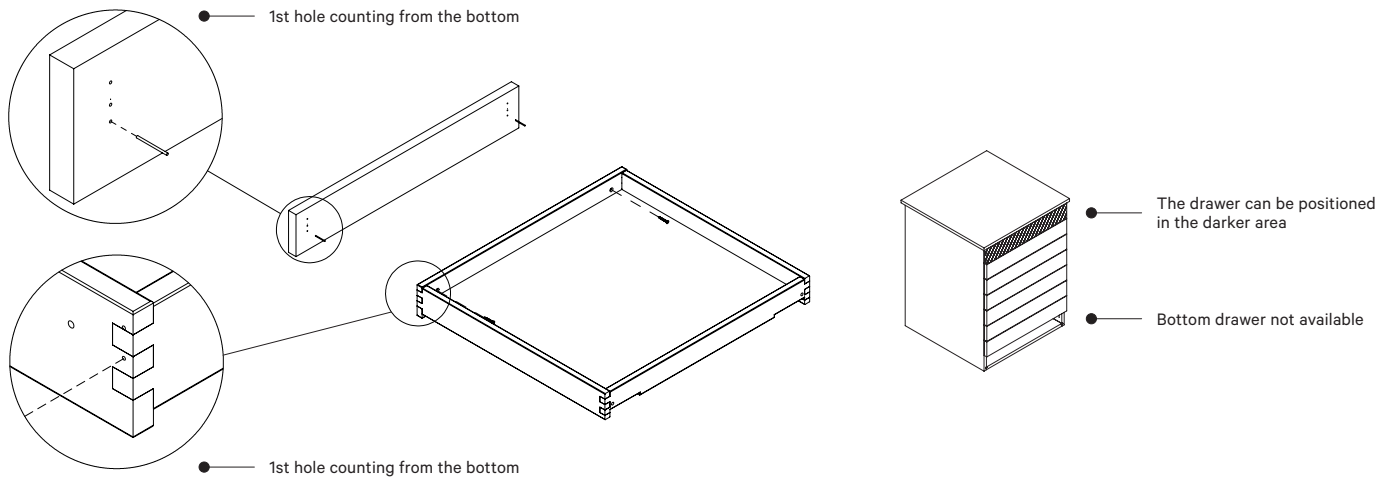


**STEP 3**

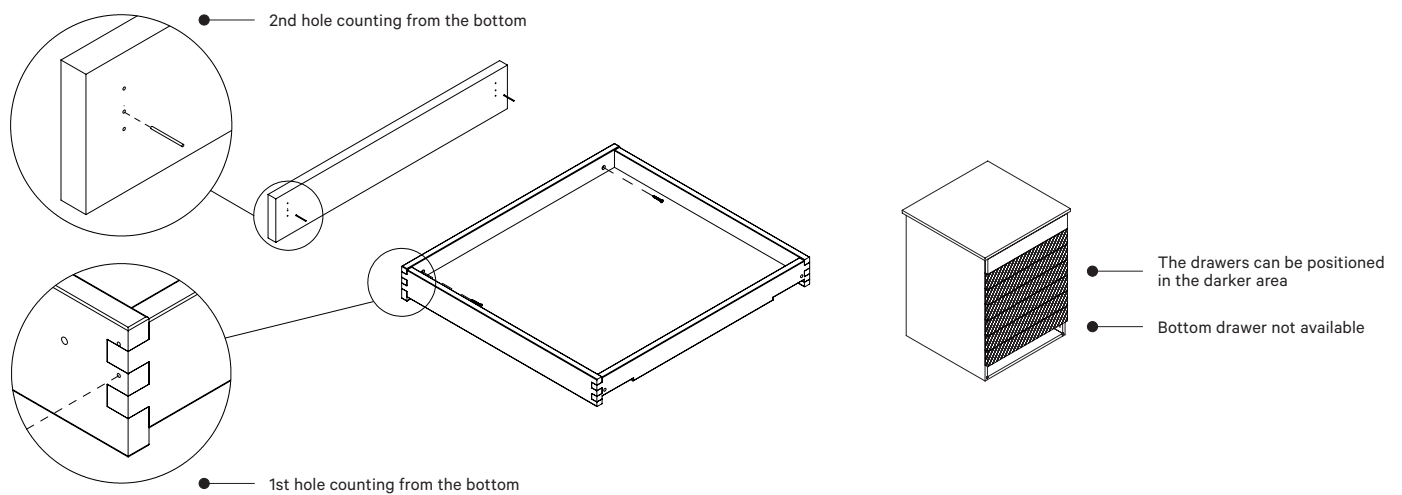
FIX IT WITH WOOD SCREWS.

# MOUNTING DRAWER FRONTS LOW DRAWER + 10 CM FRONT

Drawer box \ Front size	10 cm	15 cm	20 cm	40 cm	60 cm	80 cm
Low	x	x	x	x	-	-

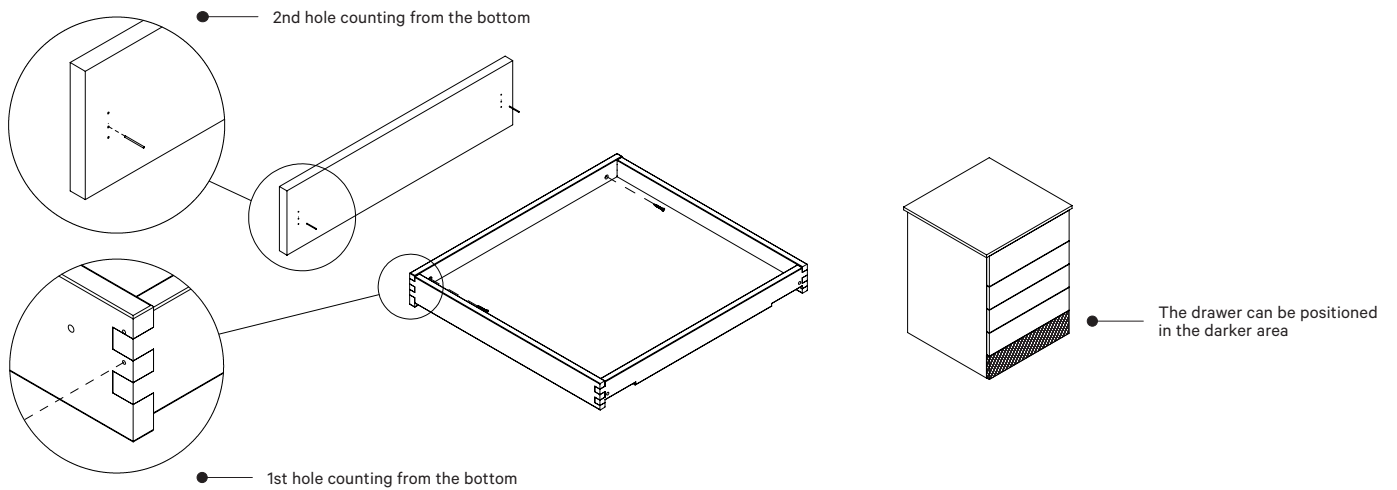


DRAWER FRONT POSITIONED IN THE TOP.

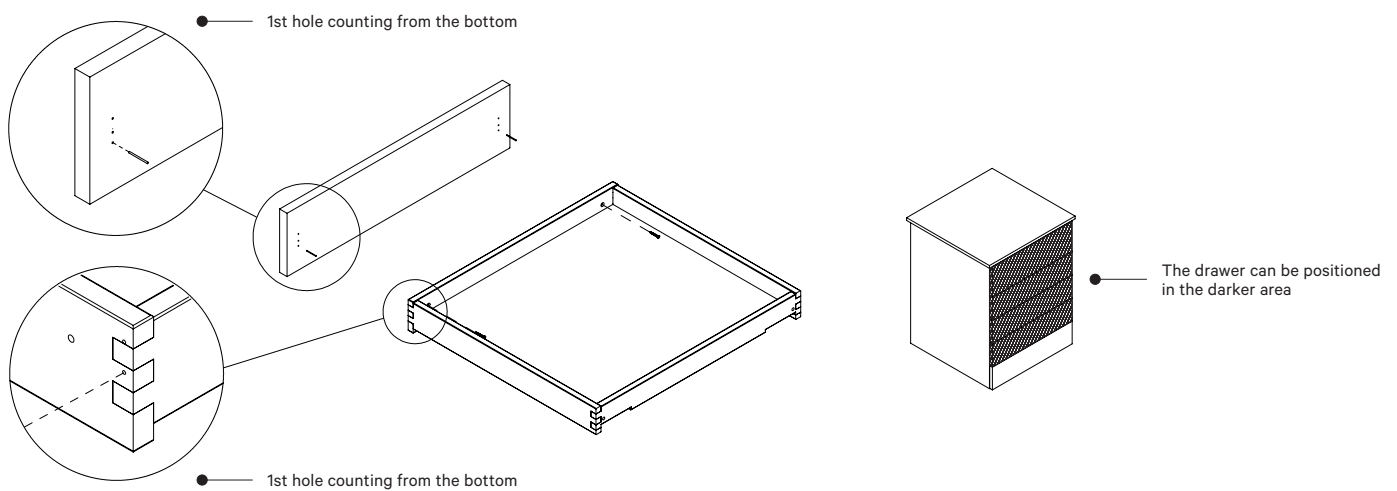


DRAWER FRONT POSITIONED IN THE MIDDLE.

# MOUNTING DRAWER FRONTS LOW DRAWER + 15 CM FRONT

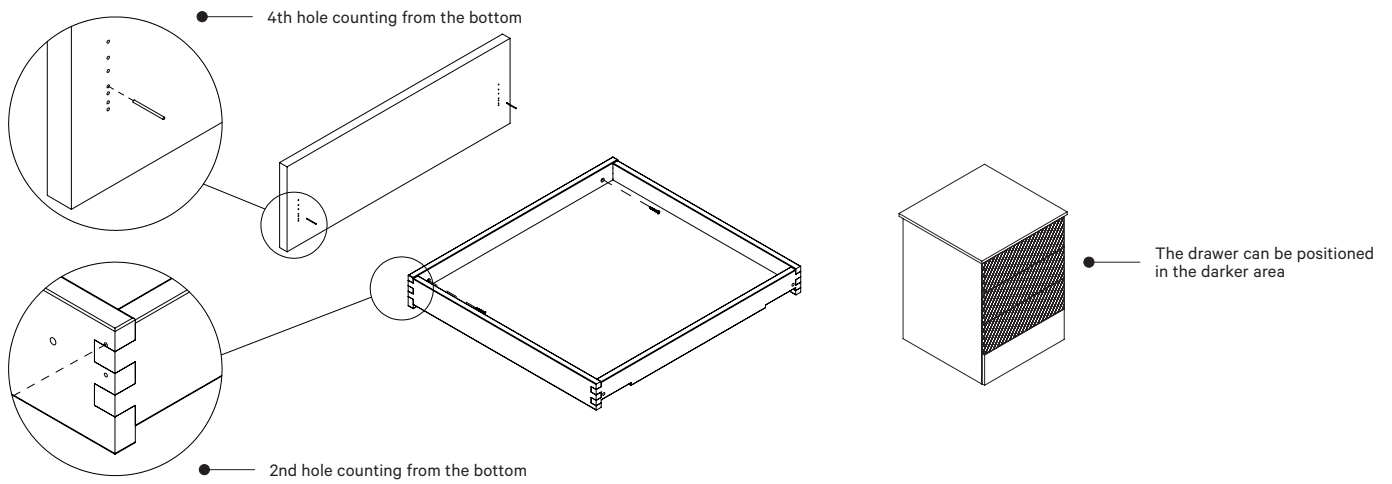


DRAWER FRONT POSITIONED IN THE BOTTOM.

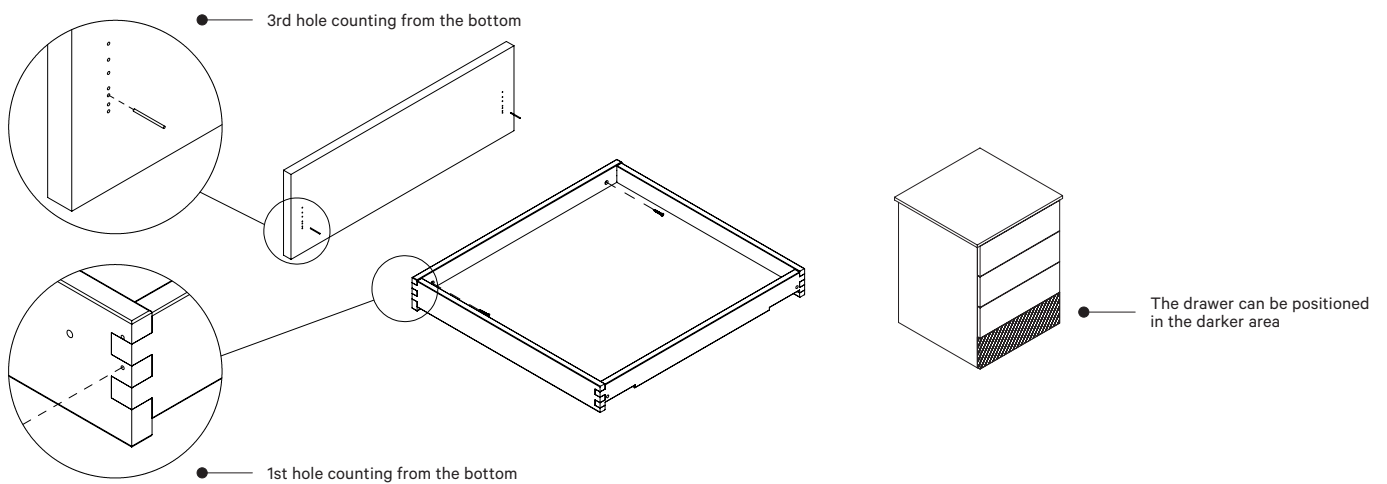


DRAWER FRONT POSITIONED IN THE TOP AND MIDDLE.

# MOUNTING DRAWER FRONTS LOW DRAWER + 20 CM FRONT

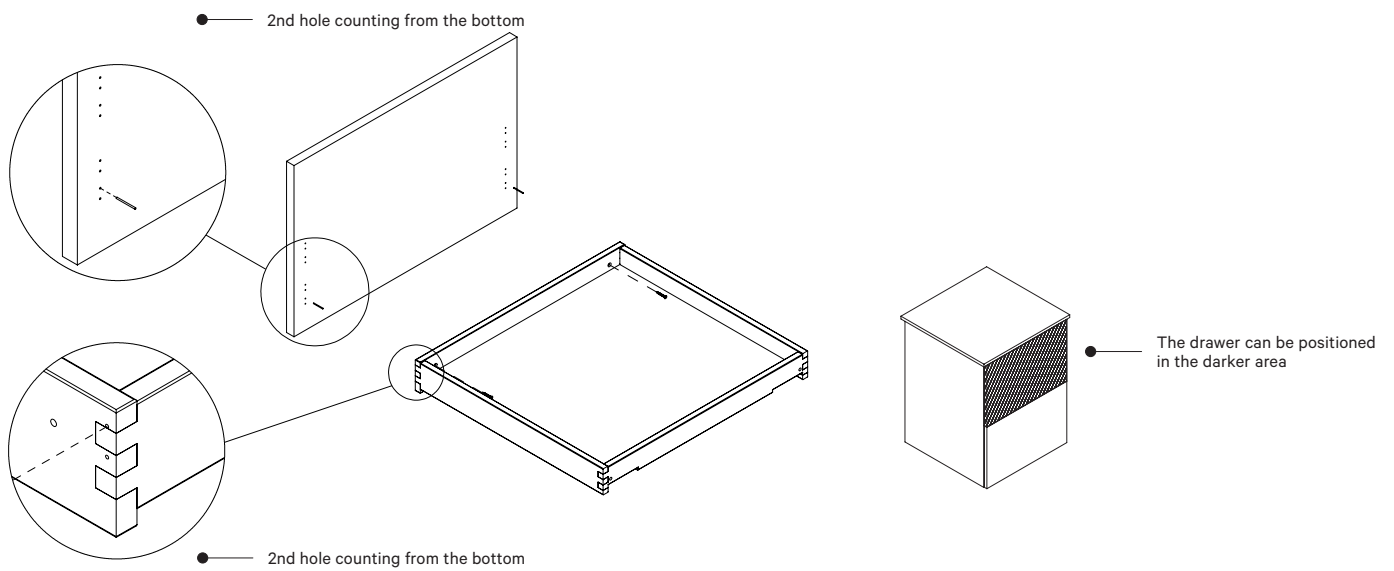


DRAWER FRONT POSITIONED IN THE TOP AND MIDDLE.



DRAWER FRONT POSITIONED IN THE BOTTOM.

# MOUNTING DRAWER FRONTS LOW DRAWER + 40 CM FRONT

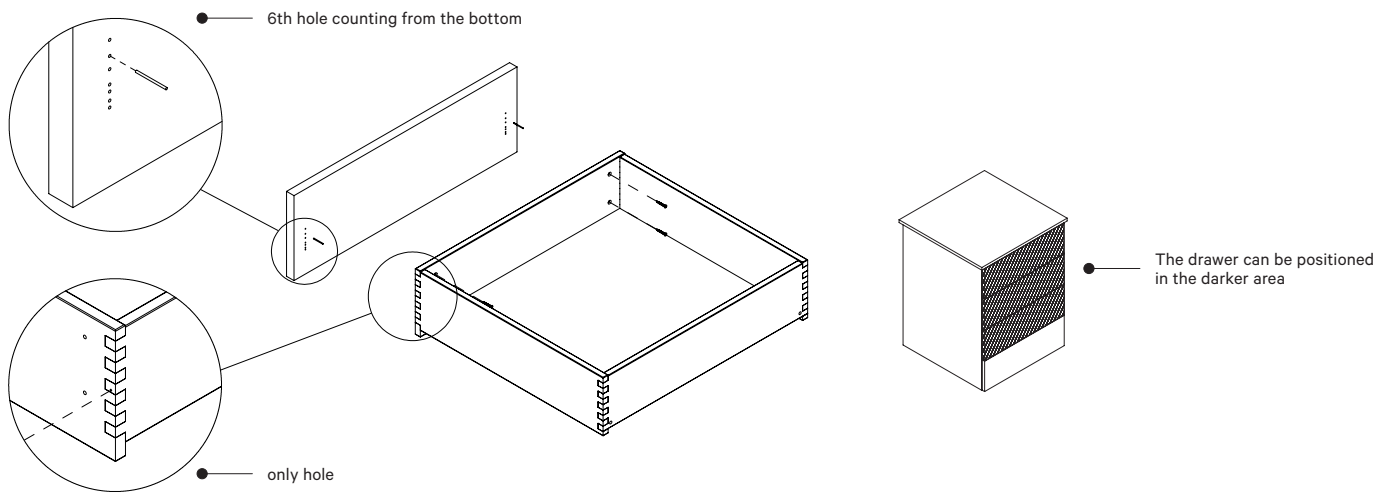


DRAWER FRONT POSITIONED IN THE TOP.

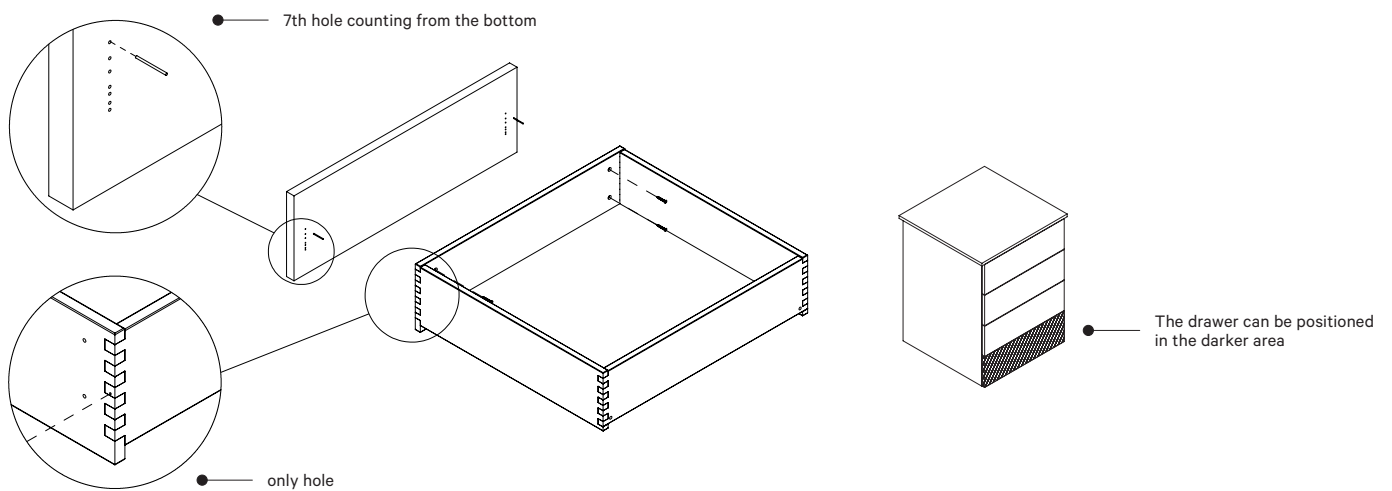


# MOUNTING DRAWER FRONTS MEDIUM DRAWER + 20 CM FRONT

Drawer box \ Front size	10 cm	15 cm	20 cm	40 cm	60 cm	80 cm
Medium	-	-	x	x	-	-

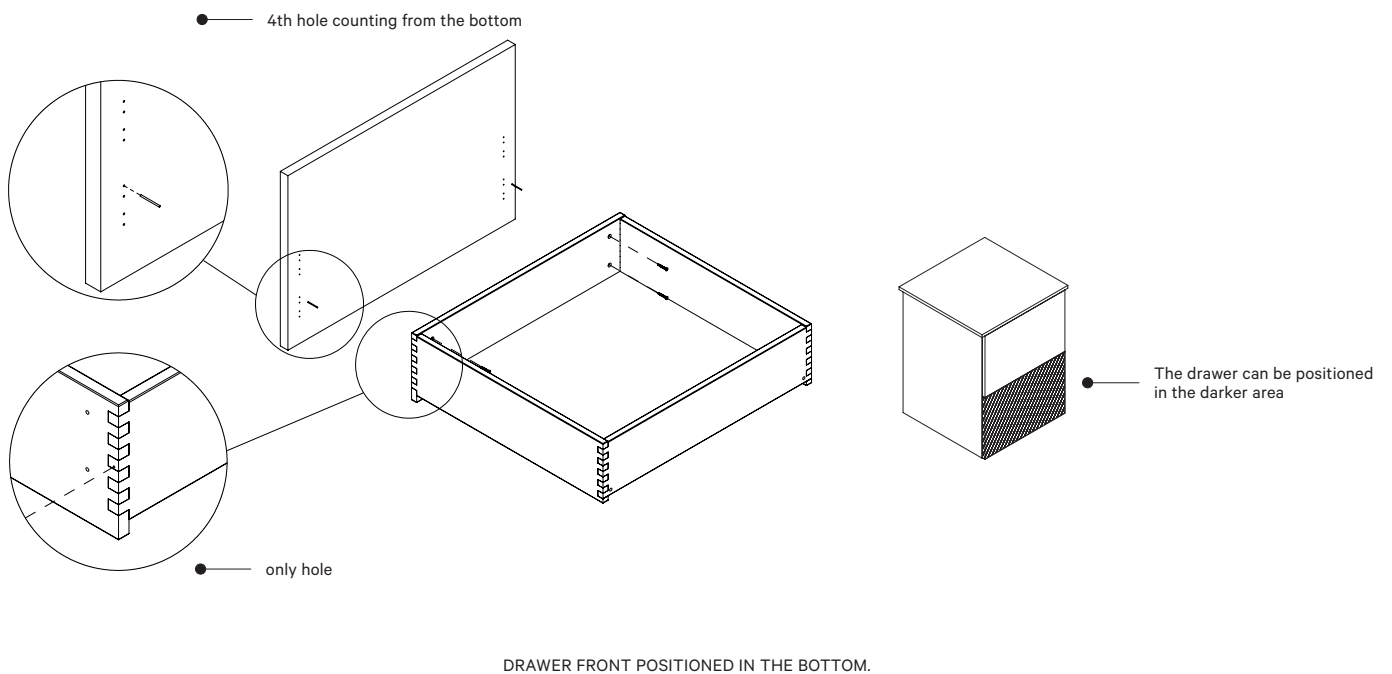
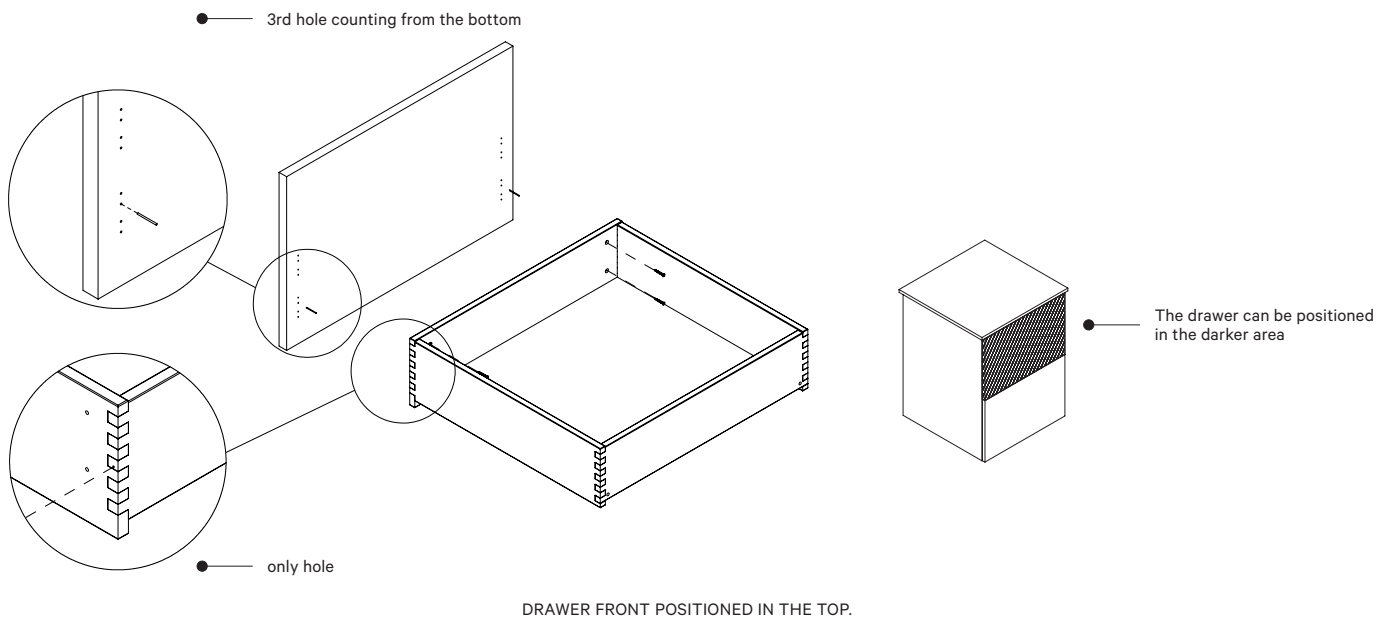


DRAWER FRONT POSITIONED IN THE TOP AND THE MIDDLE.



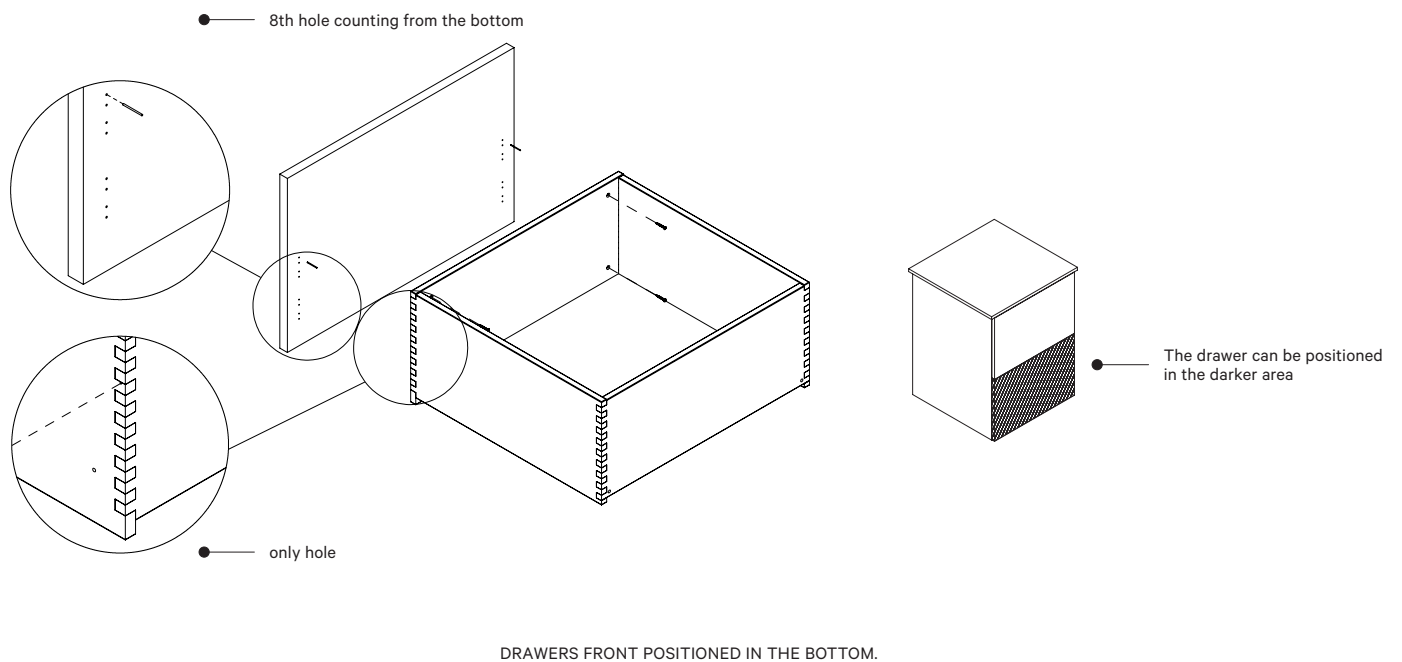
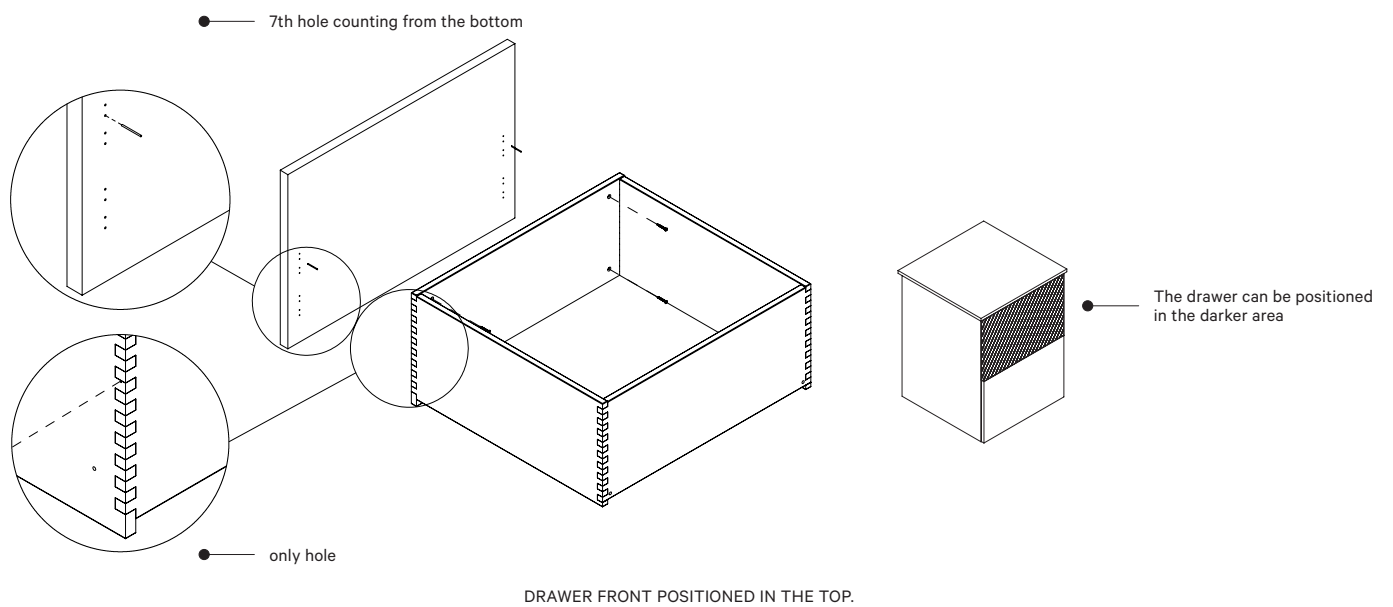
DRAWER FRONT POSITIONED IN THE BOTTOM.

# MOUNTING DRAWER FRONTS MEDIUM DRAWER + 40 CM FRONT

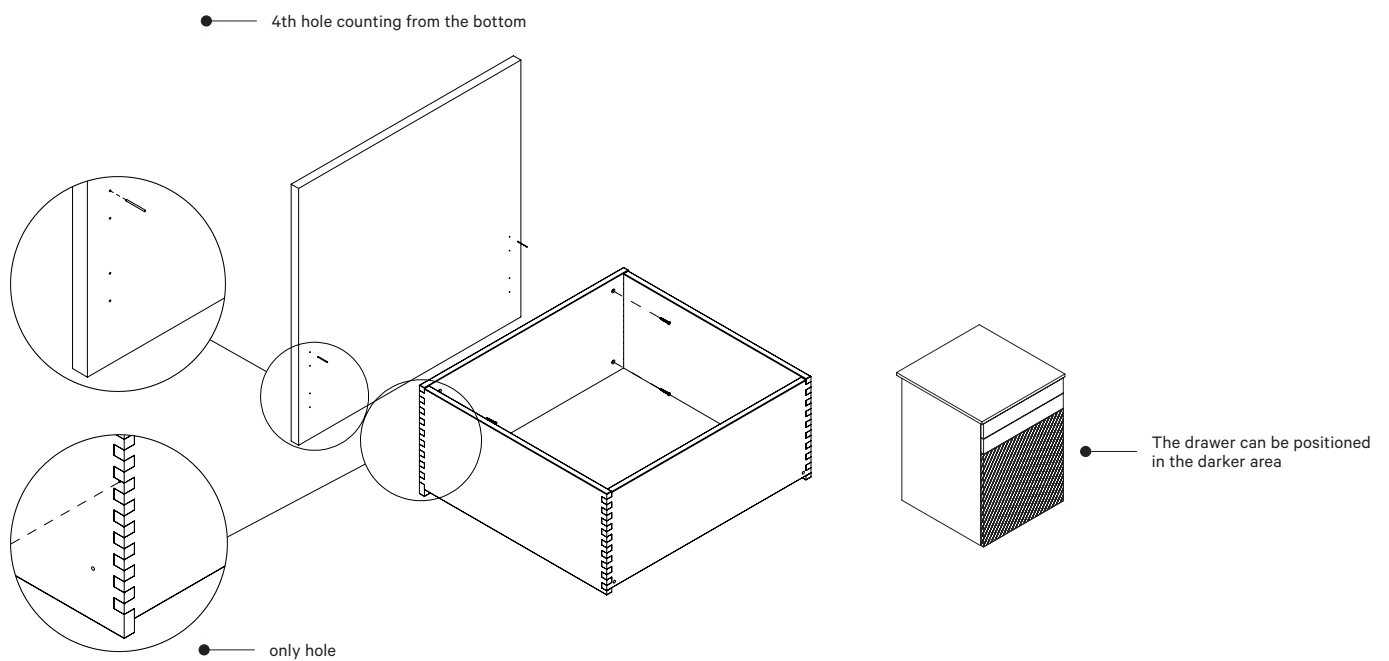


# MOUNTING DRAWER FRONTS HIGH DRAWER + 40 CM FRONT

Front size Drawer box	10 cm	15 cm	20 cm	40 cm	60 cm	80 cm
High	-	-	-	x	x	x



# MOUNTING DRAWER FRONTS HIGH DRAWER + 60 / 80 CM FRONT



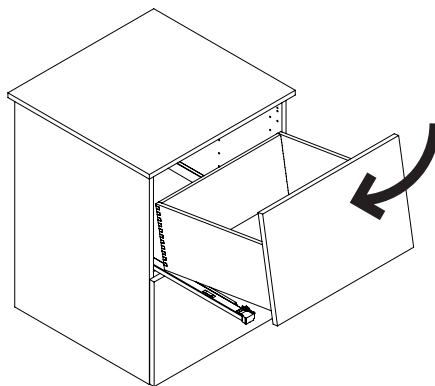
DRAWER FRONT POSITIONED IN THE BOTTOM.

## FINAL ADJUSTMENTS MOUNTING / UNMOUNTING

If you'd like more in-depth information on adjustments, we recommend visiting the wooden drawer manufacturer, Blum: <https://www.blum.com/us/en/products/runnersystems/movento/assembly/>

---

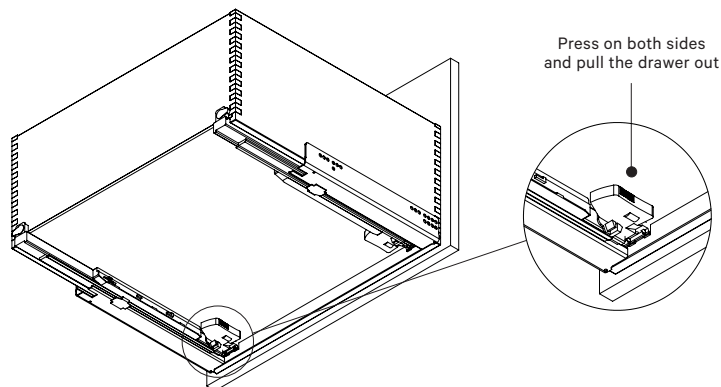
### MOUNTING



TO INSERT THE DRAWER TO THE CABINET PLACE THE BACK OF THE DRAWER ONTO THE RUNNERS AND SLIDE THE DRAWER IN UNTIL YOU FEEL IT CLICK.

---

### UNMOUNTING

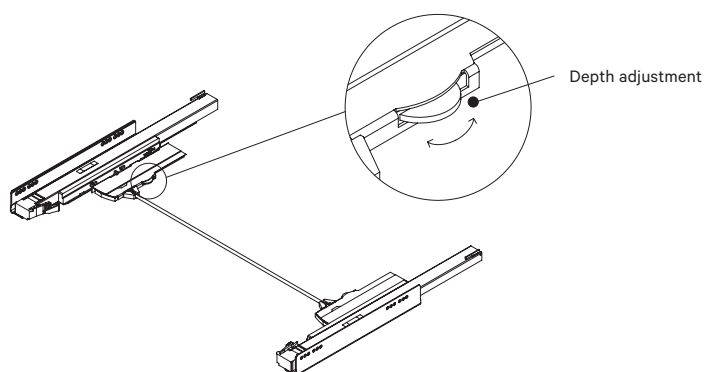
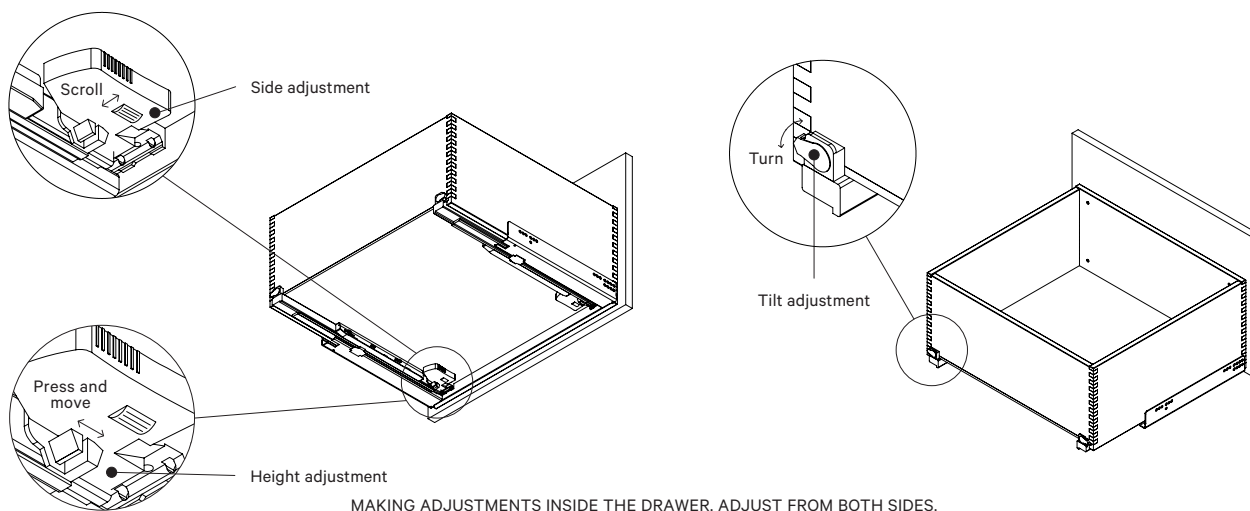


IN CASE YOU NEED TO UNMOUNT THE DRAWER: WITH THE DRAWER FULLY EXTENDED, REACH UNDER THE DRAWER AND SQUEEZE THE RELEASE LEVELERS FOR THE LOCKING DEVICES. THEN PULL THE DRAWER OUT.

# FINAL ADJUSTMENTS DRAWER ADJUSTMENT / TIP-ON BLUMOTION

In case you need to make adjustments to your drawer position, follow the instructions below.

If you'd like more in-depth information on adjustments, we recommend visiting the wooden drawer manufacturer Blum: <https://www.blum.com/us/en/products/runnersystems/movento/assembly/>



DEPTH ADJUSTMENT: MOVE TOWARDS BACK TO MOVE THE DRAWER INSIDE AND TOWARDS OUTSIDE TO MOVE IT OUT. ADJUST FROM BOTH SIDES.