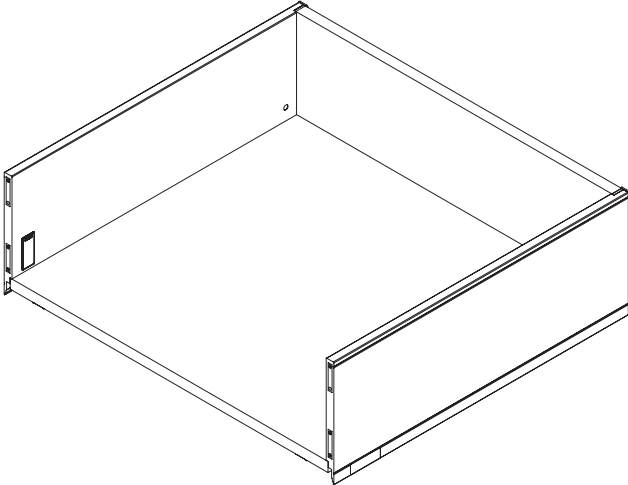


PRODUCT MANUAL

STEEL DRAWER





English

Important information.
Read carefully. Follow each step of the instruction carefully.
Keep this information for further reference.

WARNING

Serious or fatal crushing injuries can occur from furniture tip-over. To prevent this furniture from tipping over it must be permanently fixed to the wall with the included wall attachment devices.

Fastening devices for the wall are not included since different wall materials require different types of fastening devices. Use fastening devices suitable for the walls in your home. For advice on suitable fastening devices, contact your local specialized dealer.

Safety recommendation:

- Place heaviest items in the lowest drawers.
- Prevent children from climbing or hanging on the drawers, doors or shelves.

Dansk

Vigtige oplysninger Læs omhyggeligt Følg de enkelte trin i anvisningerne omhyggeligt Gem disse oplysninger til senere brug.

ADVARSEL!

Der kan opstå alvorlig eller livsfarlig tilskadekomst, hvis møblet vælter. For at undgå, at møblet vælter, skal det fastgøres permanent til væggen med de medfølgende vægbeslag.

Forskellige vægmaterialer kræver forskellige skruer og rawplugs. Medfølger ikke. Brug skruer og rawplugs, der passer til væggene i dit hjem. Hvis du er i tvivl om, hvilken type skruer/rawplugs du skal bruge, skal du kontakte et byggemarked.

Deutsch

Wichtige information.
Sorgfältig lesen. Jeden Schritt der Anleitung sorgfältig befolgen.
Diese Information aufbewahren.

ACHTUNG

Wenn Möbelstücke umkippen, können ernste oder lebensgefährliche Verletzungen durch Einklemmen die Folge sein. Um zu verhindern, dass dieses Möbelstück umkippt, muss es mit der beigegepackten Vorrichtung zur Wandbefestigung fest an der Wand verankert werden.

Beschläge für die Wandbefestigung sind nicht beigegepackt, da sie von der Beschaffenheit der Wand und des Untergrundmaterials abhängig sind. Befestigungsbeschläge benutzen, die für die heimischen Wände geeignet sind. Bei diesbezüglichen Fragen den.

Français

Information importante.
Lire attentivement. Suivre soigneusement chacune des étapes de ces instructions. Conserver ces instructions pour une utilisation ultérieure.

ATTENTION

Risque de blessure grave ou mortelle en cas de basculement du meuble. Pour éviter que le meuble ne bascule, il faut le fixer au mur de façon permanente à l'aide des pièces pour fixation incluses.

Les vis ne sont pas incluses car leur choix dépend du matériau du mur sur lequel est fixé le meuble. Utilisez des vis adaptées au matériau du mur. Pour obtenir des conseils sur les vis à utiliser, adressez-vous à un vendeur spécialisé.

INDEX

3	INTRODUCTION
4	DRAWER SLIDES
9	TIP-ON / BLUMOTION
10	INSTALLATION OF DRAWER BOX
15	INSTALLATION OF INNER DRAWER BOX
16	FINAL ADJUSTMENTS

INTRODUCTION

In the following pages, you'll find easy-to-follow instructions with images that show you how to assemble your Reform steel drawers. The box is the same for the regular drawer box and the inner drawer box. The difference lies in the mounting of the fronts. The guide is divided into four sections:

Our equipment for steel drawers comes in 2-3 boxes:

- 1) Drawer box (3 sizes: low, medium, high)
- 2) Drawer slides (3 lengths: 11,81 inch, 15,75 inch, 19,69 inch)
- 3) (ADD-ON) push-system / TIP-ON BLUMOTION technology
- 4) (OPTIONAL*) interior front for inner drawer box

**This only applies to the inner drawer*

If you'd like more in-depth information on your steel drawers, we recommend visiting the Legrabox drawer manufacturer, Blum: <https://www.blum.com/eu/en/products/boxsystems/legrabox/overview/>

TOOLS YOU MIGHT NEED

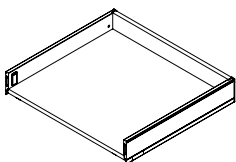


SCREWDRIVER PH

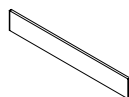


SCREWDRIVER TORX T20

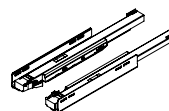
EQUIPMENT



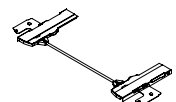
DRAWER
HIGH = C / MEDIUM = M / LOW = N



INTERIOR FRONT FOR
INNER DRAWER BOX



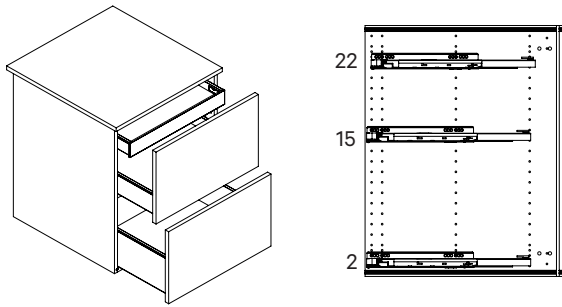
DRAWER SLIDES
LENGTH 11,81 IN / 15,75 IN / 19,69 IN



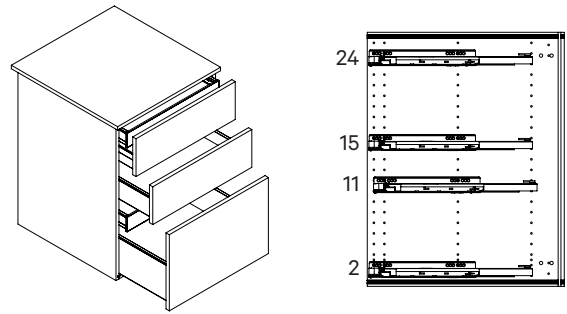
PUSH FUNCTION
TIP-ON BLUMOTION

DRAWER SLIDES PLACEMENTS 1

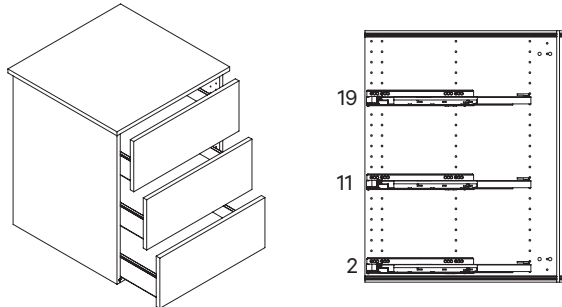
Below, you'll find the five most common combinations.



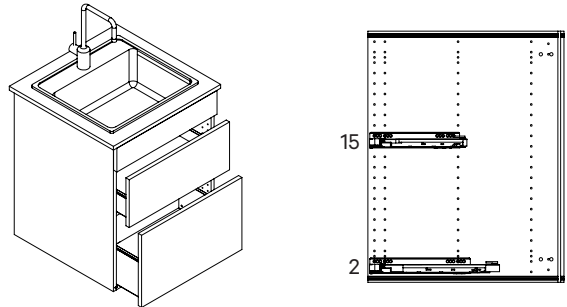
DRAWER SLIDES PLACEMENT 1.



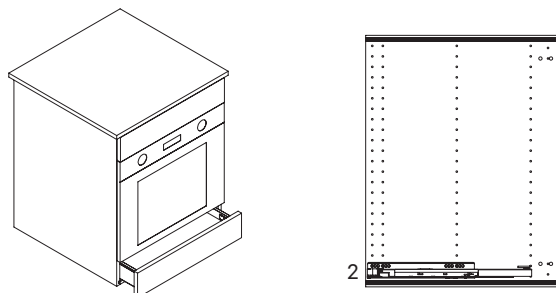
DRAWER SLIDES PLACEMENT 2.



DRAWER SLIDES PLACEMENT 3.



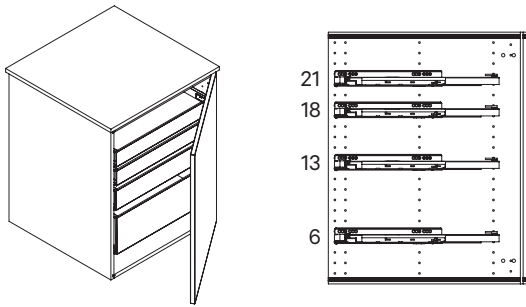
DRAWER SLIDES PLACEMENT 4.



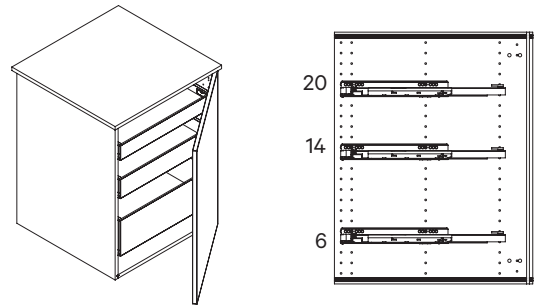
DRAWER SLIDES PLACEMENT 5.

DRAWER SLIDES PLACEMENTS 2

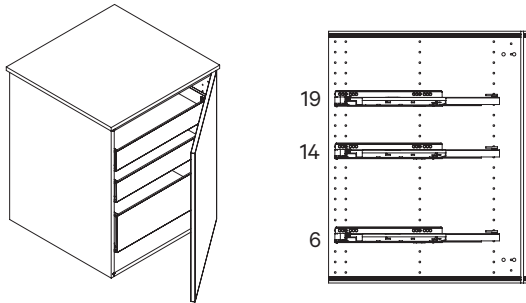
Below, you'll find the five most common combinations.



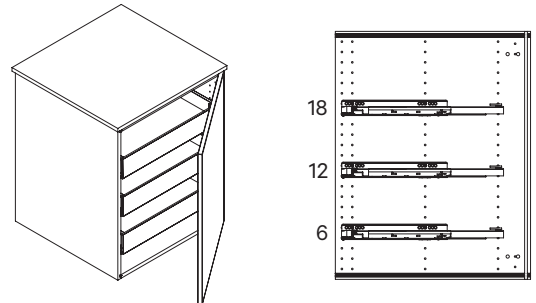
DRAWER SLIDES PLACEMENT 1.



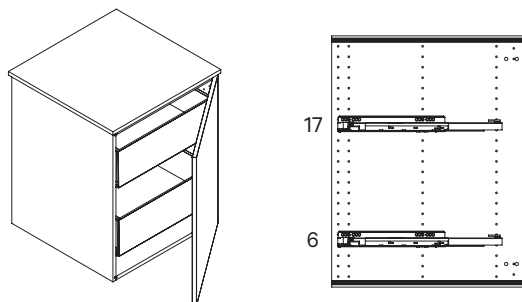
DRAWER SLIDES PLACEMENT 2.



DRAWER SLIDES PLACEMENT 3.



DRAWER SLIDES PLACEMENT 4.

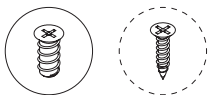
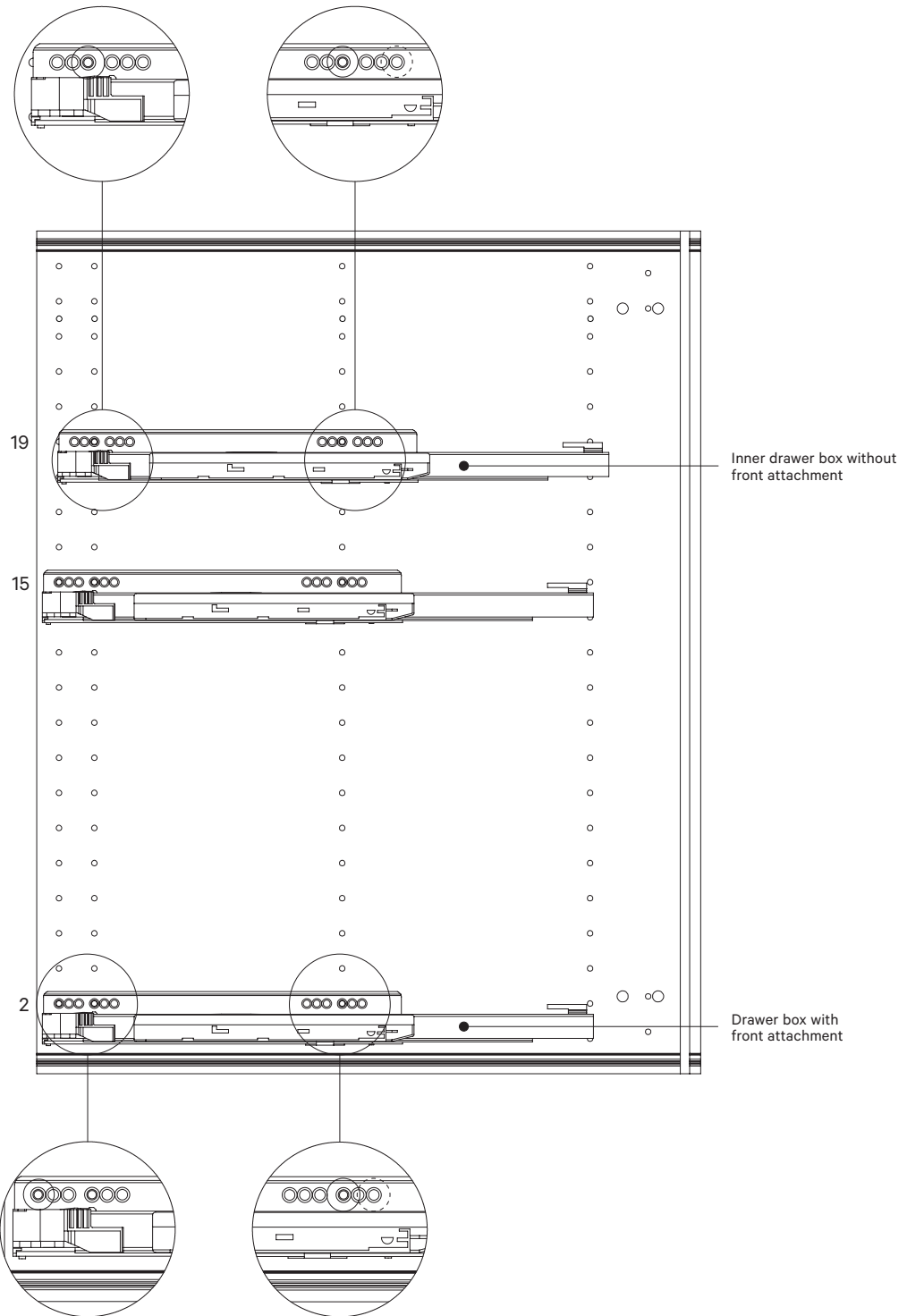


DRAWER SLIDES PLACEMENT 5.

MOUNTING DRAWER SLIDES

Make sure that you use the right drawer slide hole when you mount the slide on the cabinet. Note that drawer slides for inner drawers are mounted differently.

FOR THE CABINET WITH A DEPTH OF 24 INCHES + 19,69 INCH DRAWER SLIDES

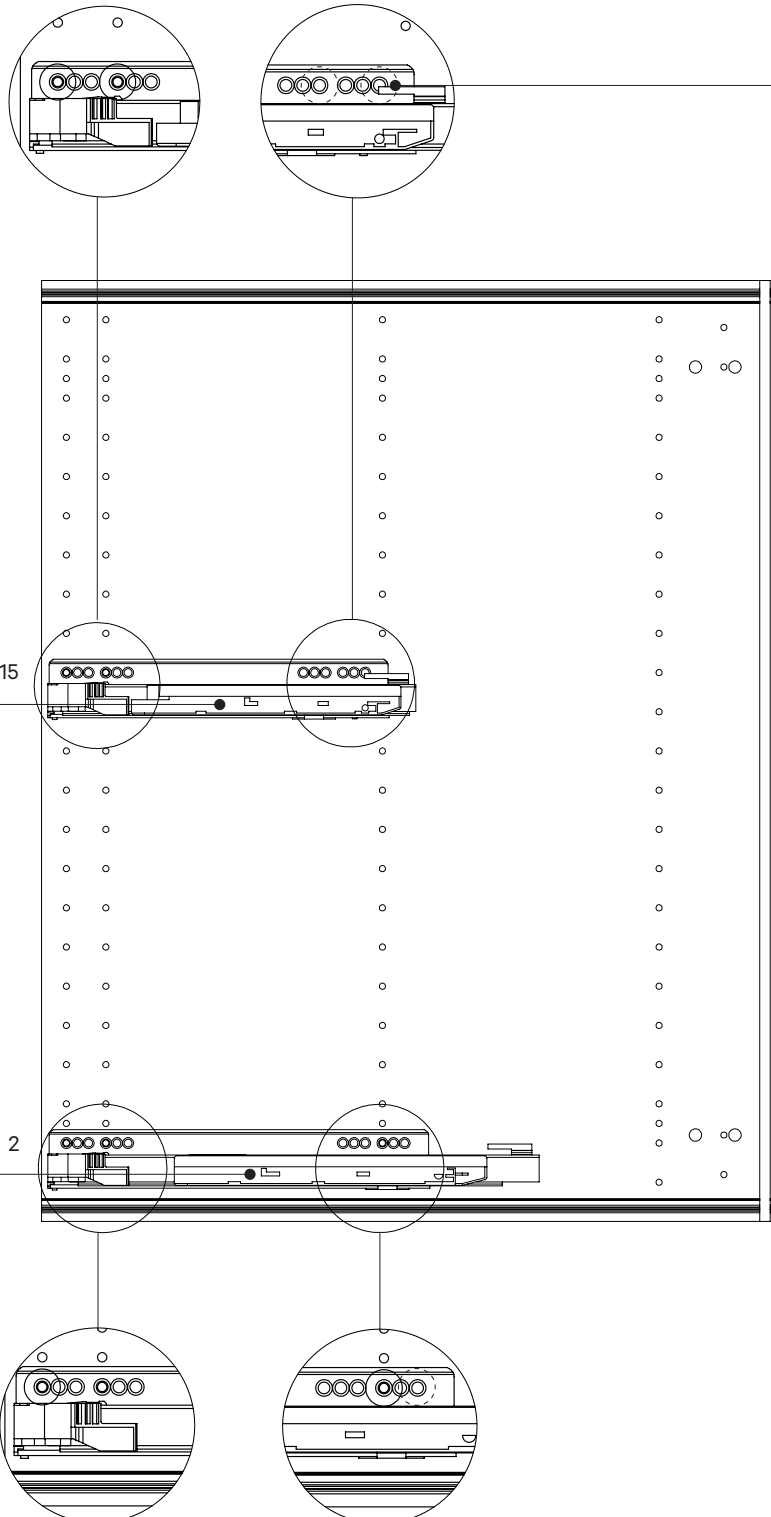


PLEASE NOTE THAT YOU HAVE TWO KINDS OF SCREWS.
EACH SCREW IS COMPATIBLE WITH A PARTICULAR HOLE.

MOUNTING DRAWER SLIDES

Make sure that you use the right drawer slide hole when you mount the slide on the cabinet. Note that drawer slides for inner drawers are mounted differently.

FOR THE SINK CABINET WITH A DEPTH OF 24IN



Please note that there are no holes matching in the back of 11,81 inch drawer slides. Use a leveller to make sure that the drawer slide is horizontally and fix it with 2 chipboard screws.

Drawer box with front attachment.
11,81 inch drawer slides below the sink.
(For inner drawer without front attachment see the next page)

Drawer box with front attachment.
15,75 inch drawer slides for garbage.
(For inner drawer without front attachment see the previous page)

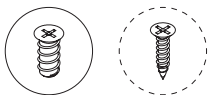
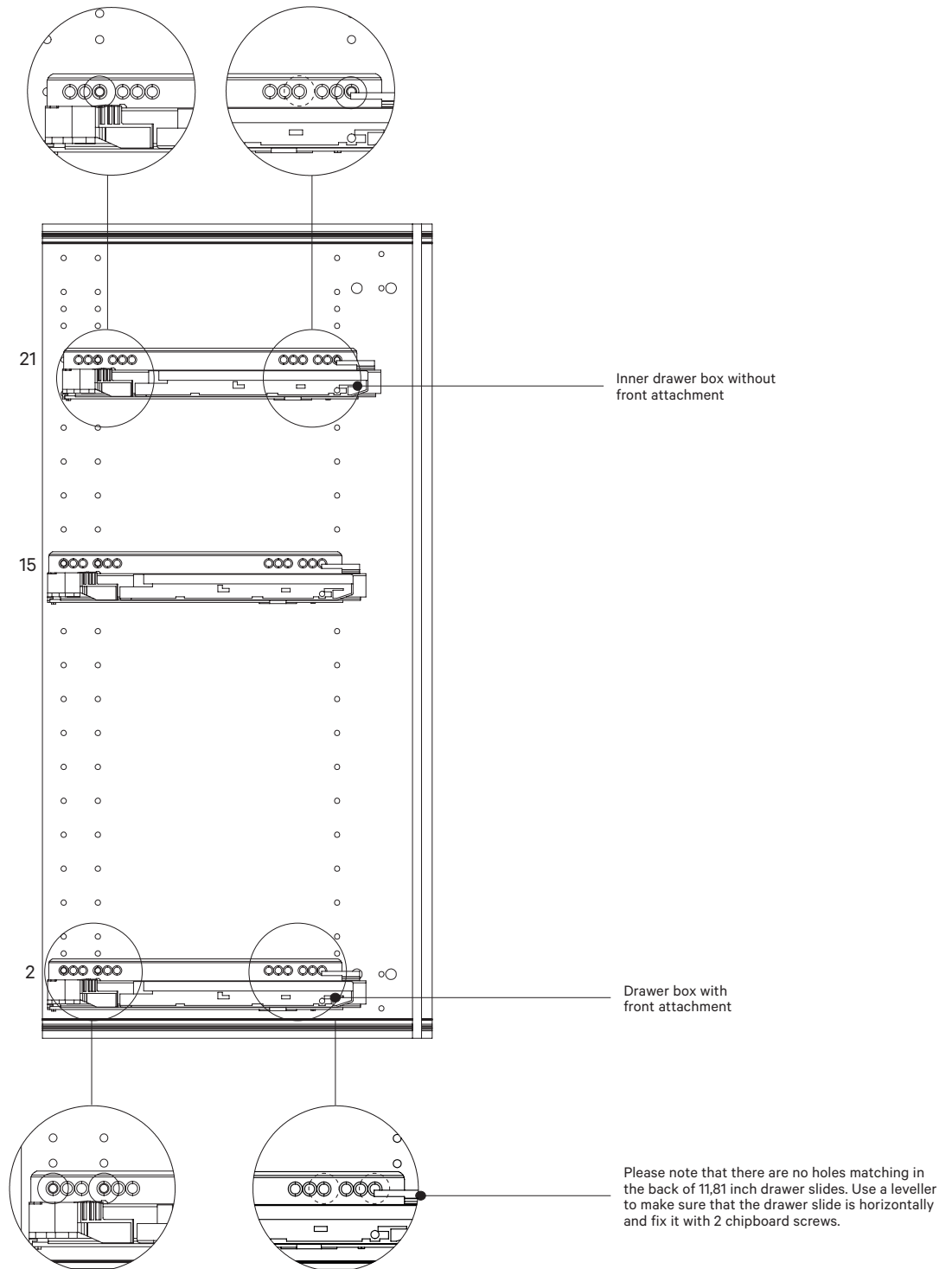


PLEASE NOTE THAT YOU HAVE TWO KINDS OF SCREWS.
EACH SCREW IS COMPATIBLE WITH A PARTICULAR HOLE.

MOUNTING DRAWER SLIDES

Make sure that you use the right drawer slide hole when you mount the slide on the cabinet. Note that drawer slides for inner drawers are mounted differently.

FOR THE CABINET WITH A DEPTH OF 15 INCHES + 11,81 INCH DRAWER SLIDES

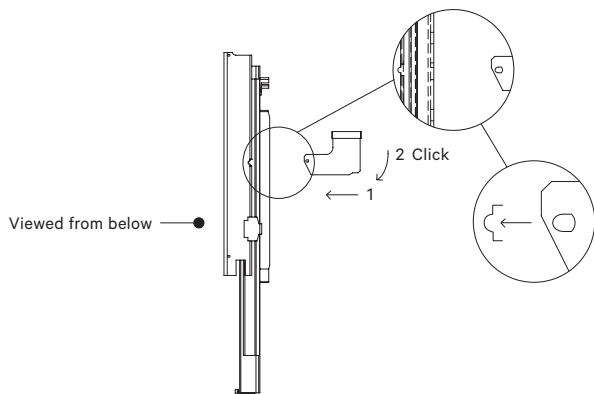


PLEASE NOTE THAT YOU HAVE TWO KINDS OF SCREWS.
EACH SCREW IS COMPATIBLE WITH A PARTICULAR HOLE.

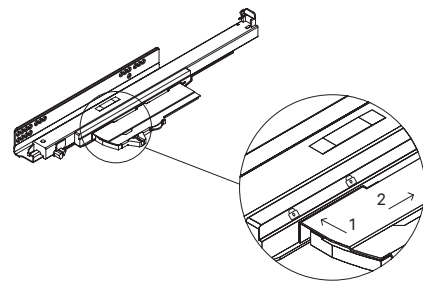
TIP-ON / BLUMOTION

If you've acquired push-function for your drawers, follow the instructions outlined below.

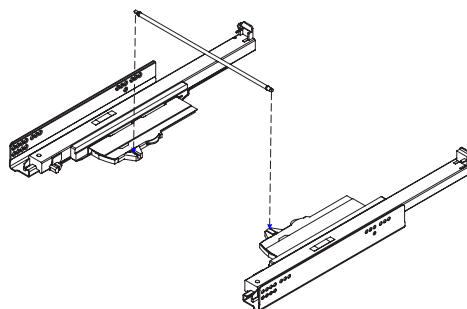
If you'd like more in-depth information on TIP-ON BLUMOTION technology, we recommend visiting the Legrabox drawer manufacturer, Blum: <https://www.blum.com/su/en/products/motion-technologies/tip-on-blumotion/legrabox/assembly/>



STEP 1 - LATCH



STEP 2 - UNIT



STEP 3 - SYNCHRONIZATION ROD

INSTALLATION OF DRAWER BOX

In the following pages, you'll find instructions for mounting these combinations:

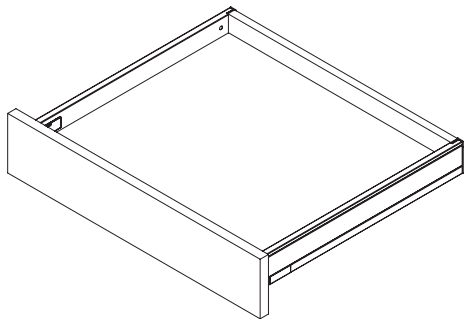
- 1) Low drawer box + 5 inch front
- 2) Medium drawer box + 10 inch / 15 inch front
- 3) High drawer box + 15 inch / 20 inch front

Please note that the fronts should be mounted according to the specific drawer location in the cabinet.

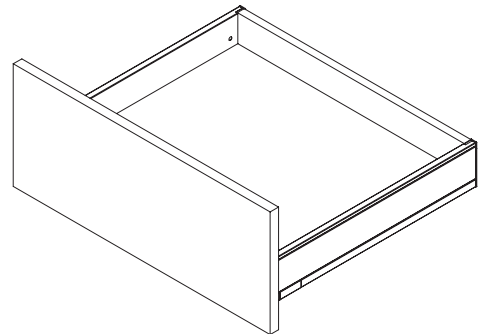
Please note that some fronts don't go with all drawers. We've made a table that shows you the different combinations.

Drawer box \ Front size	5 inch	10 inch	15 inch	20 / 30 inch
Low	Page 11	Page 11	-	-
Medium	-	Page 12	Page 12	-
High	-	-	Page 13	Page 13

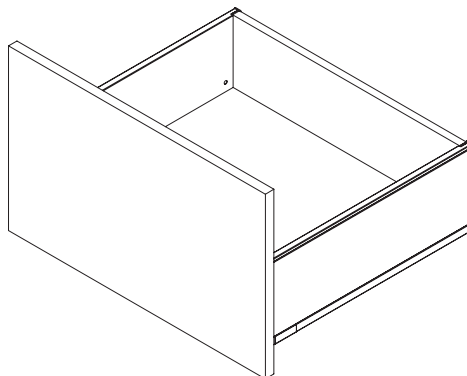
OVERVIEW



LOW



MEDIUM



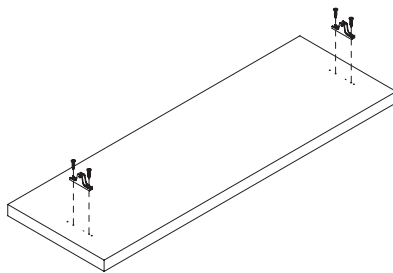
HIGH

MOUNTING DRAWER FRONTS GENERAL INTRODUCTION

Please note that the fronts should be mounted according to the specific drawer location in the cabinet. This is to ensure that the fronts will fit perfectly.

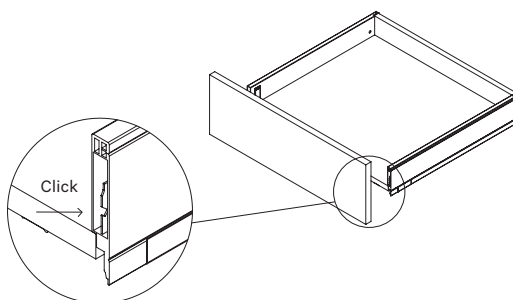
If you'd like more in-depth information on fronts mounting, we recommend visiting the Legrabox drawer manufacturer Blum: <https://www.blum.com/fi/en/products/boxsystems/legrabox/assembly/>

For mounting of inner drawers, see page 15.



STEP 1

START BY FASTENING THE BRACKET TO THE FRONT USING YOUR SCREWS. SEE WHAT HOLES TO USE ON THE FOLLOWING PAGES.

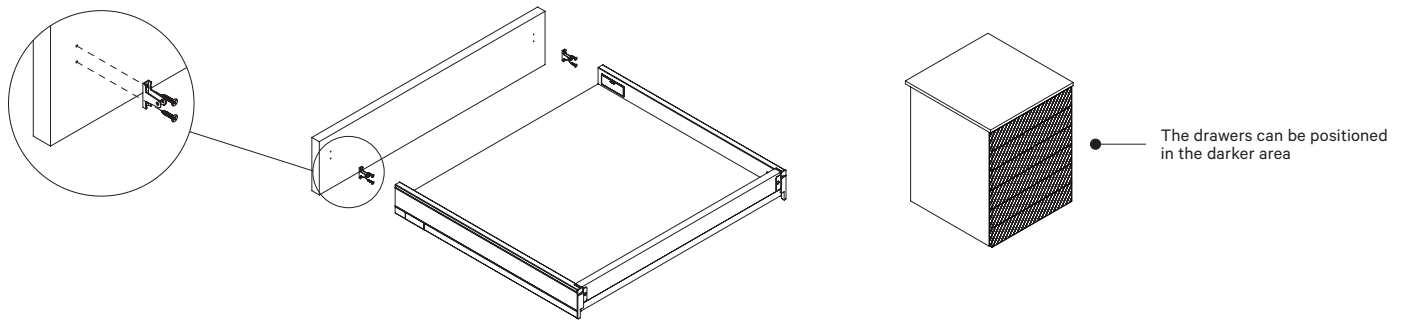


STEP 2

THEN CLICK THE FRONT ONTO THE DRAWER.

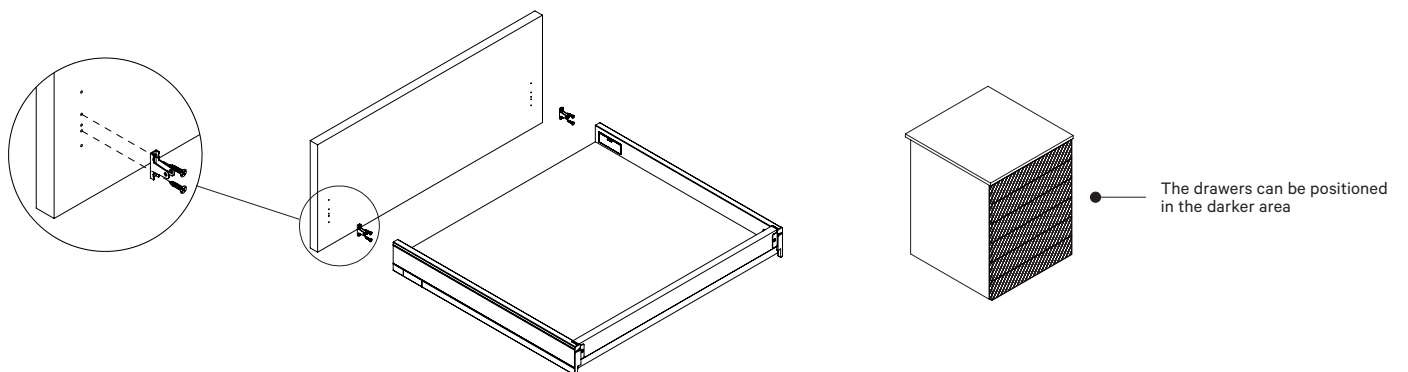
MOUNTING DRAWER FRONTS LOW DRAWER + 5 INCH FRONT

Front size Drawer box	5 inch	10 inch	15 inch	20 / 30 inch
Low	x	x	-	-



DRAWER FRONT POSITIONED IN: 1ST AND 2ND HOLE COUNTING FROM THE BOTTOM.

MOUNTING DRAWER FRONTS LOW DRAWER + 10 INCH FRONT

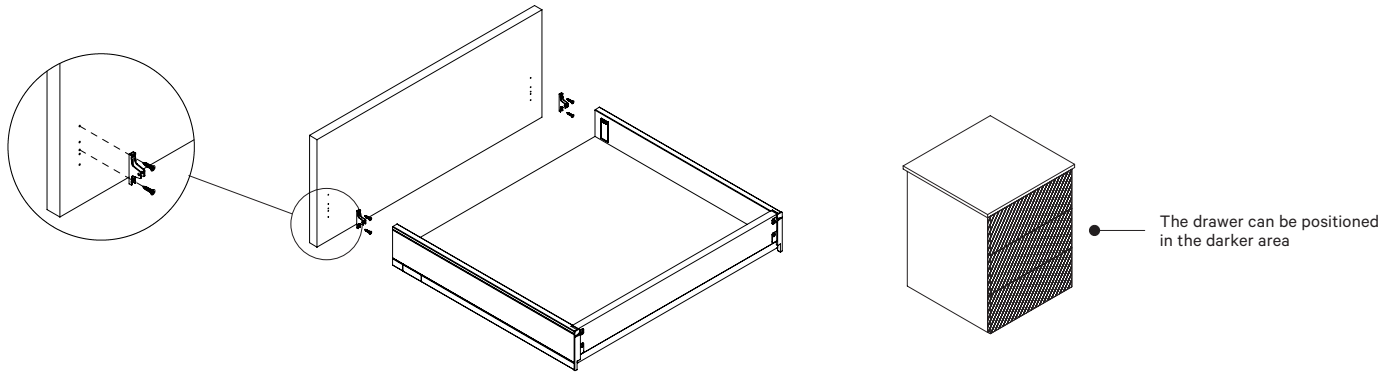


DRAWER FRONT POSITIONED IN: 2ND AND 4TH HOLE COUNTING FROM THE BOTTOM.

MOUNTING DRAWER FRONTS

MEDIUM DRAWER + 10 INCH FRONT

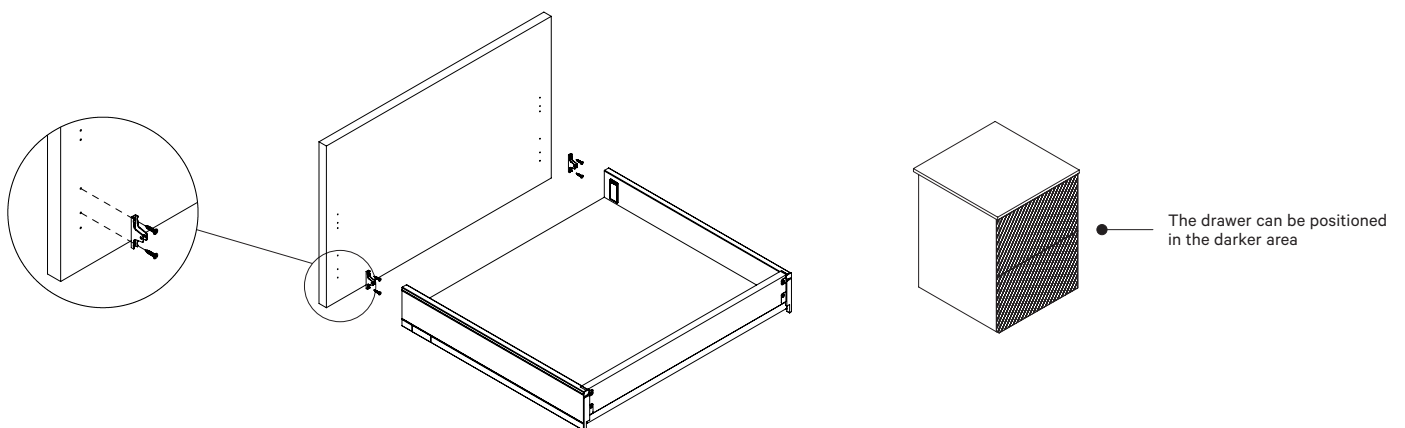
Front size Drawer box	5 inch	10 inch	15 inch	20 / 30 inch
Low	-	x	x	-



DRAWER FRONT POSITIONED IN: 3RD AND 5TH HOLE COUNTING FROM THE BOTTOM.

MOUNTING DRAWER FRONTS

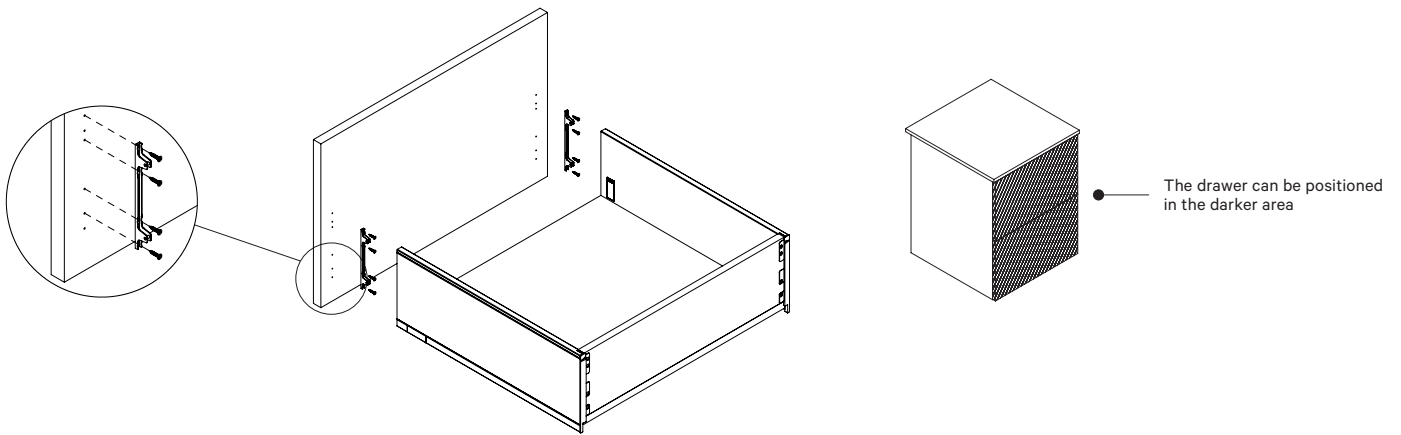
MEDIUM DRAWER + 15 INCH FRONT



DRAWER FRONT POSITIONED IN: 2ND AND 3RD HOLE COUNTING FROM THE BOTTOM.

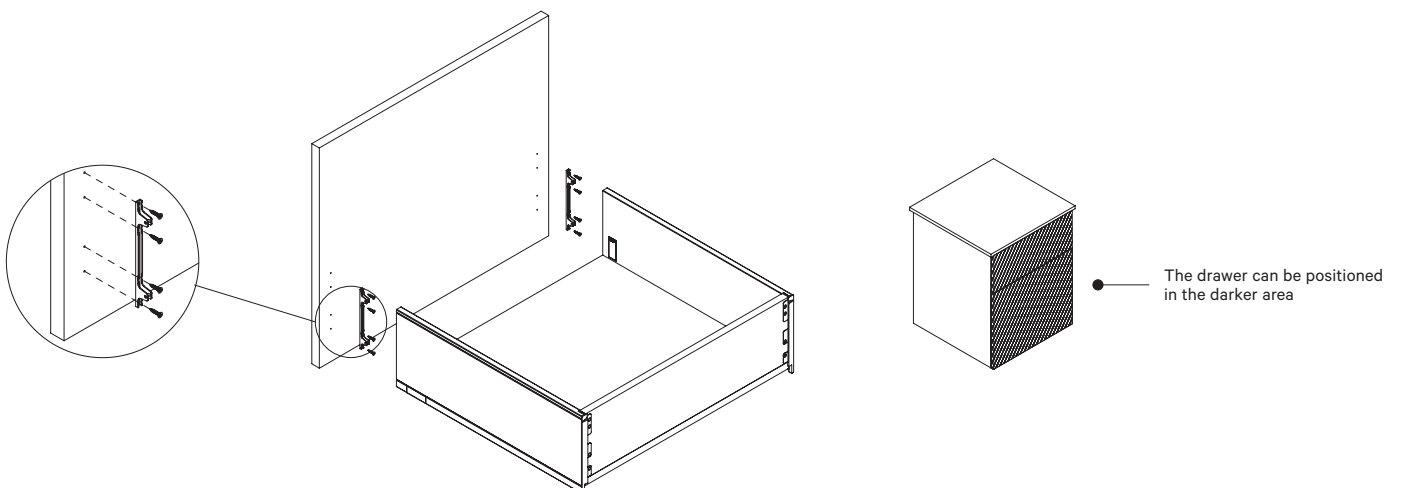
MOUNTING DRAWER FRONTS HIGH DRAWER + 15 INCH FRONT

Front size Drawer box	5 inch	10 inch	15 inch	20 / 30 inch
Low	-	-	x	x



DRAWER FRONT POSITIONED IN: 2ND, 3RD, 4TH AND 6TH HOLE COUNTING FROM THE BOTTOM.

MOUNTING DRAWER FRONTS HIGH DRAWER + 20 / 30 INCH FRONT

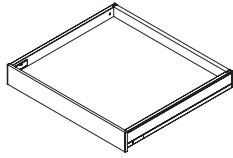


DRAWER FRONT POSITIONED IN: ALL HOLES COUNTING FROM THE BOTTOM.

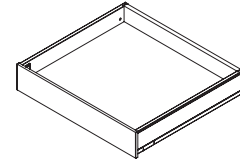
INSTALLATION OF INNER DRAWER BOX

Inner drawer fronts come in one size.

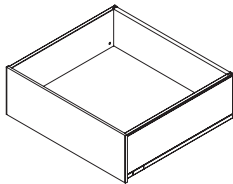
OVERVIEW



LOW

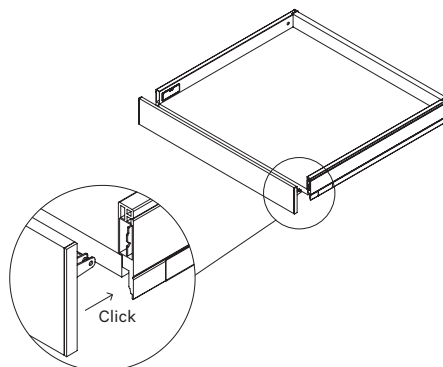


MEDIUM



HIGH

MOUNTING OF INNER DRAWER FRONTS

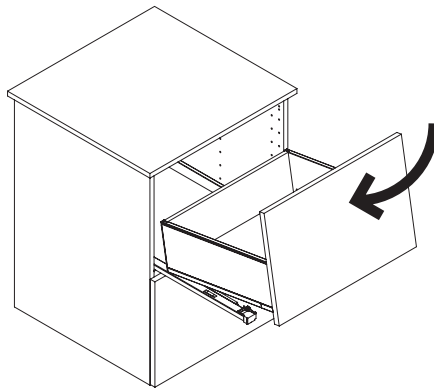


NOTE THAT THE BRACKETS ARE ALREADY MOUNTED TO THE FRONT BEFORE YOU MOUNT THE INNER DRAWER FRONTS.
YOU JUST NEED TO CLICK THE PARTS TOGETHER.

FINAL ADJUSTMENTS MOUNTING / UNMOUNTING

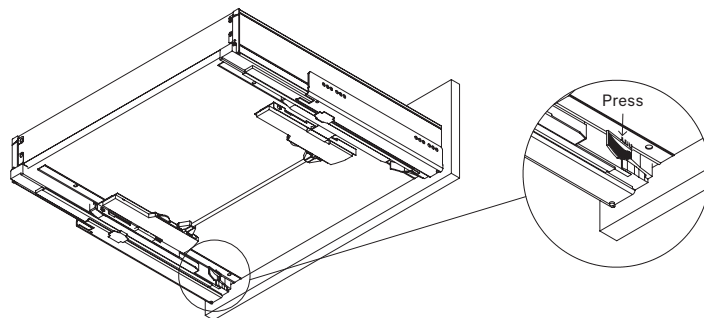
If you'd like more in-depth information on adjustments, we recommend visiting the Legrabox drawer manufacturer, Blum: <https://www.blum.com/en/products/boxsystems/legrabox/assembly/>

MOUNTING



TO INSERT THE DRAWER TO THE CABINET PLACE THE BACK OF THE DRAWER ONTO THE RUNNERS AND SLIDE THE DRAWER IN UNTIL YOU FEEL IT CLICK.

UNMOUNTING



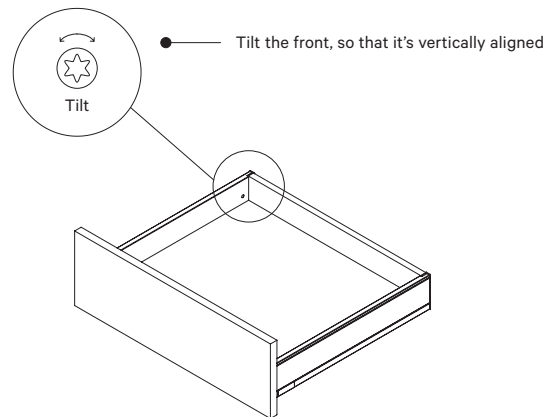
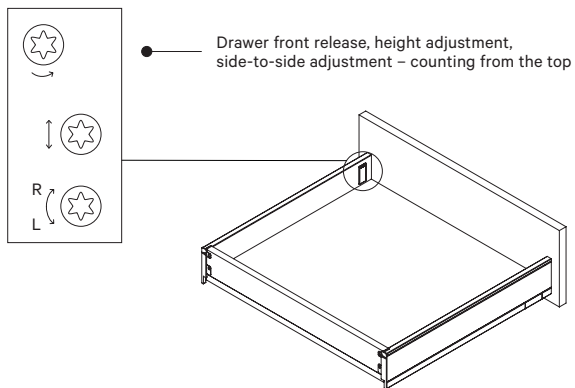
IN CASE YOU NEED TO UNMOUNT THE DRAWER:

WITH THE DRAWER FULLY EXTENDED, REACH UNDER THE DRAWER AND SQUEEZE THE RELEASE LEVELERS FOR THE LOCKING DEVICES. THEN PULL THE DRAWER OUT.

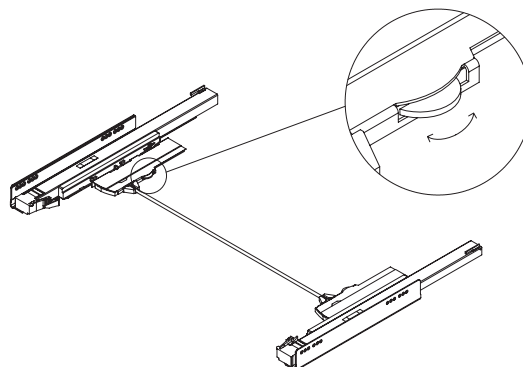
FINAL ADJUSTMENTS DRAWER ADJUSTMENT / TIP-ON BLUMOTION

In case you need to make adjustments to your drawer position, follow the instructions below.

If you'd like more in-depth information on adjustments, we recommend visiting the Legrabox drawer manufacturer Blum: <https://www.blum.com/fi/en/products/boxsystems/legrabox/assembly/>



MAKING ADJUSTMENTS INSIDE THE DRAWER. MAKE THE ADJUSTMENTS FROM BOTH SIDES.



DEPTH ADJUSTMENT: MOVE TOWARDS BACK TO MOVE THE DRAWER INSIDE AND TOWARDS OUTSIDE TO MOVE IT OUT.
MAKE THE ADJUSTMENTS FROM BOTH SIDES.