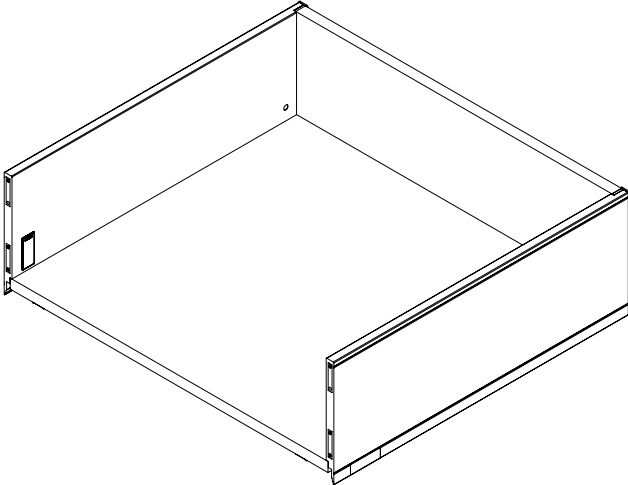


# PRODUCT MANUAL STEEL DRAWER





## English

Important information.  
Read carefully. Follow each step of the instruction carefully.  
Keep this information for further reference.

**WARNING**

**Serious or fatal crushing injuries can occur from furniture tip-over. To prevent this furniture from tipping over it must be permanently fixed to the wall with the included wall attachment devices.**

Fastening devices for the wall are not included since different wall materials require different types of fastening devices. Use fastening devices suitable for the walls in your home. For advice on suitable fastening devices, contact your local specialized dealer.

## Safety recommendation:

- Place heaviest items in the lowest drawers.
- Prevent children from climbing or hanging on the drawers, doors or shelves.

## Dansk

Vigtige oplysninger Læs omhyggeligt Følg de enkelte trin i anvisningerne omhyggeligt Gem disse oplysninger til senere brug.

**ADVARSEL!**

**Der kan opstå alvorlig eller livsfarlig tilskadekomst, hvis møblet vælter. For at undgå, at møblet vælter, skal det fastgøres permanent til væggen med de medfølgende vægbeslag.**

Forskellige vægmaterialer kræver forskellige skruer og rawplugs. Medfølger ikke. Brug skruer og rawplugs, der passer til væggene i dit hjem. Hvis du er i tvivl om, hvilken type skruer/rawplugs du skal bruge, skal du kontakte et byggemarked.

## Deutsch

Wichtige information.  
Sorgfältig lesen. Jeden Schritt der Anleitung sorgfältig befolgen.  
Diese Information aufbewahren.

**ACHTUNG**

**Wenn Möbelstücke umkippen, können ernste oder lebensgefährliche Verletzungen durch Einklemmen die Folge sein. Um zu verhindern, dass dieses Möbelstück umkippt, muss es mit der beigegepackten Vorrichtung zur Wandbefestigung fest an der Wand verankert werden.**

Beschläge für die Wandbefestigung sind nicht beigegepackt, da sie von der Beschaffenheit der Wand und des Untergrundmaterials abhängig sind. Befestigungsbeschläge benutzen, die für die heimischen Wände geeignet sind. Bei diesbezüglichen Fragen den.

## Français

Information importante.  
Lire attentivement. Suivre soigneusement chacune des étapes de ces instructions. Conserver ces instructions pour une utilisation ultérieure.

**ATTENTION**

**Risque de blessure grave ou mortelle en cas de basculement du meuble. Pour éviter que le meuble ne bascule, il faut le fixer au mur de façon permanente à l'aide des pièces pour fixation incluses.**

Les vis ne sont pas incluses car leur choix dépend du matériau du mur sur lequel est fixé le meuble. Utilisez des vis adaptées au matériau du mur. Pour obtenir des conseils sur les vis à utiliser, adressez-vous à un vendeur spécialisé.

# INDEX

3	INTRODUCTION
5	DRAWER SLIDES
10	TIP-ON / BLUMOTION
11	INSTALLATION OF DRAWER BOX
18	INSTALLATION OF INNER DRAWER BOX
19	FINAL ADJUSTMENTS

# INTRODUCTION

In the following pages, you'll find easy-to-follow instructions with images that show you how to assemble your Reform steel drawers. The box is the same for the regular drawer box and the inner drawer box. The difference lies in the mounting of the fronts. The guide is divided into four sections:

Our equipment for steel drawers comes in 2-3 boxes:

- 1) Drawer box (3 sizes: low, medium, high)
- 2) Drawer slides (3 lengths: 300 mm, 400 mm, 500 mm)
- 3) (ADD-ON) push-system/TIP-ON BLUMOTION technology
- 4) (OPTIONAL\*) interior front for inner drawer box

*\*This only applies to the inner drawer*

If you'd like more in-depth information on your steel drawers, we recommend visiting the Legrabox drawer manufacturer, Blum: <https://www.blum.com/eu/en/products/boxsystems/legrabox/overview/>

## TOOLS YOU MIGHT NEED

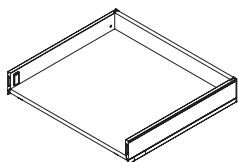


SCREWDRIVER PH

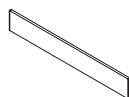


SCREWDRIVER TORX T20

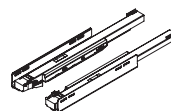
## EQUIPMENT



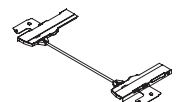
DRAWER  
HIGH = C / MEDIUM = M / LOW = N



INTERIOR FRONT FOR  
INNER DRAWER BOX



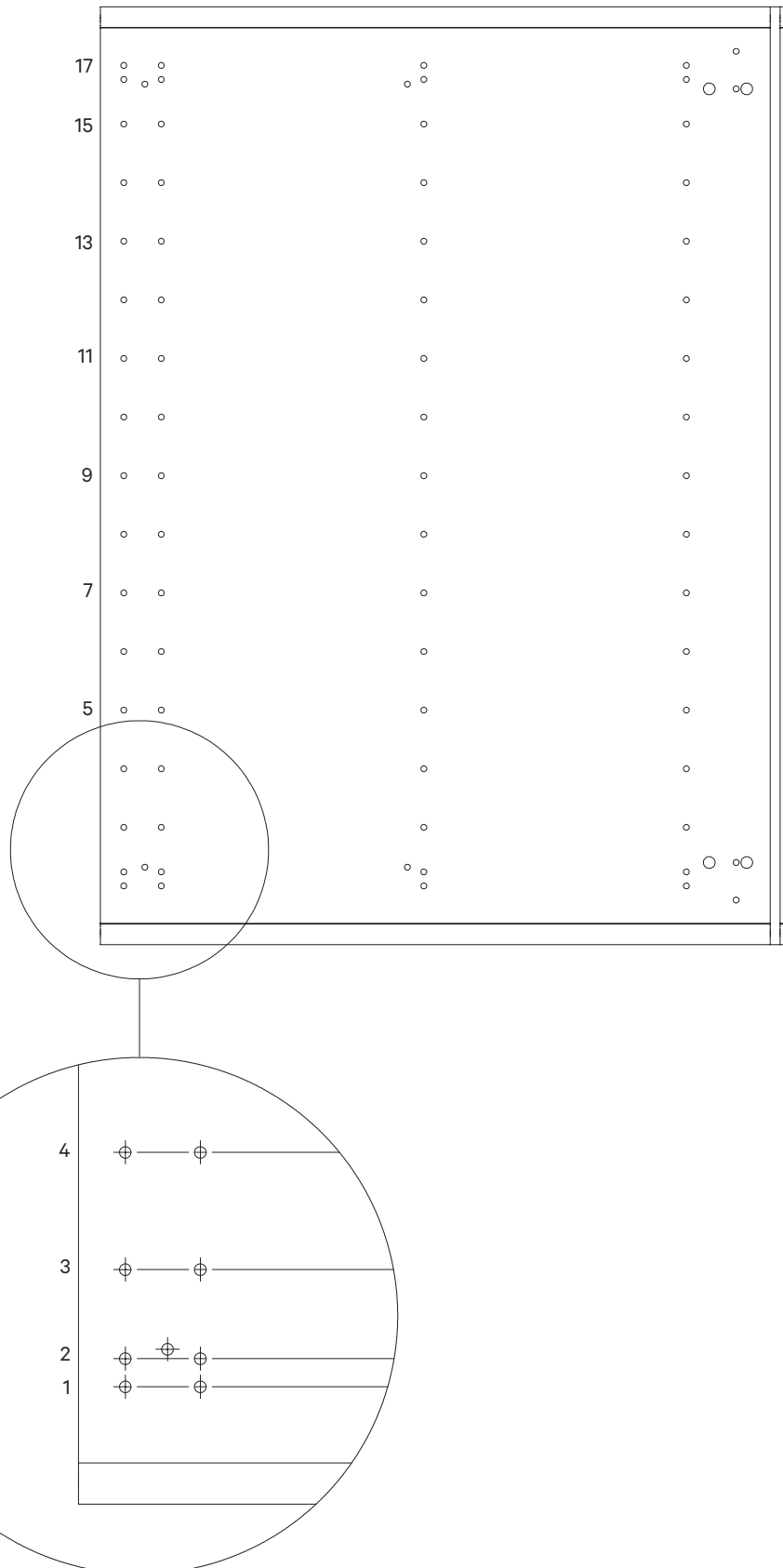
DRAWER SLIDES  
LENGTH 300 MM / 400 MM / 500 MM



PUSH FUNCTION  
TIP-ON BLUMOTION

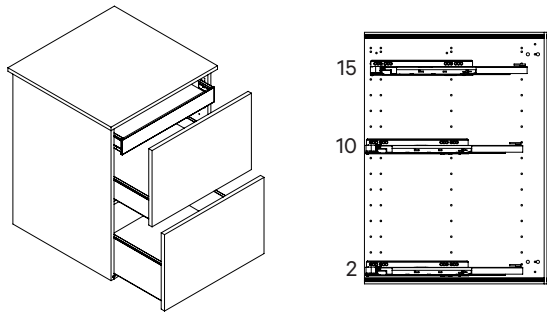
# COUNTING ROWS

This illustration shows how to count rows on the inside of the side of the cabinet.

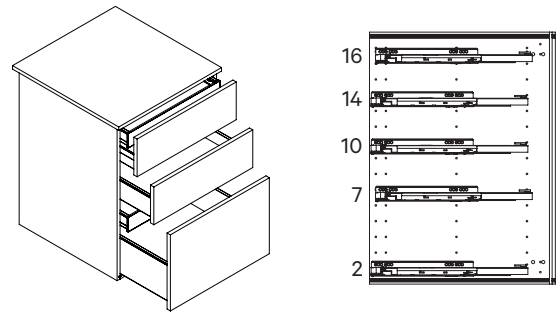


# DRAWER SLIDES PLACEMENTS 1

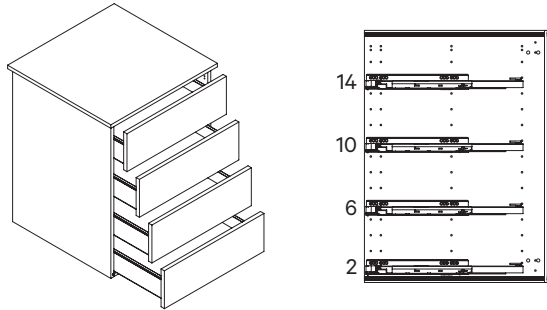
Below, you'll find the five most common combinations.



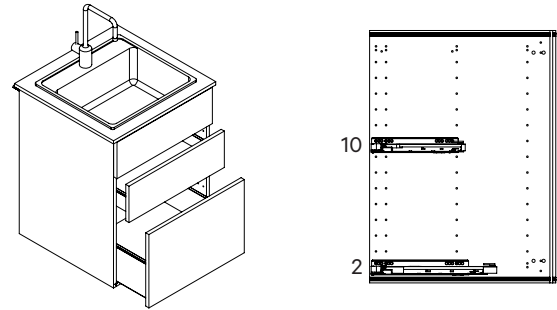
DRAWER SLIDES PLACEMENT 1.



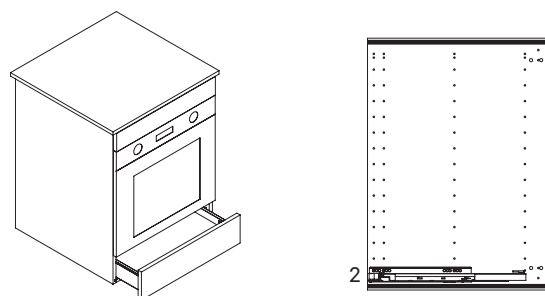
DRAWER SLIDES PLACEMENT 2.



DRAWER SLIDES PLACEMENT 3.



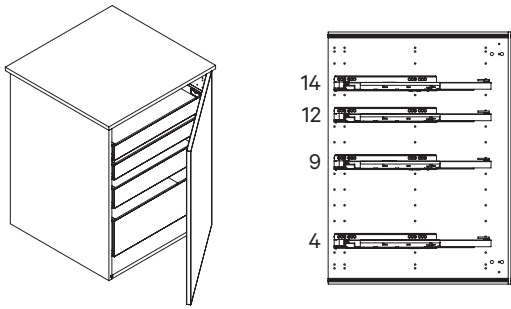
DRAWER SLIDES PLACEMENT 4.



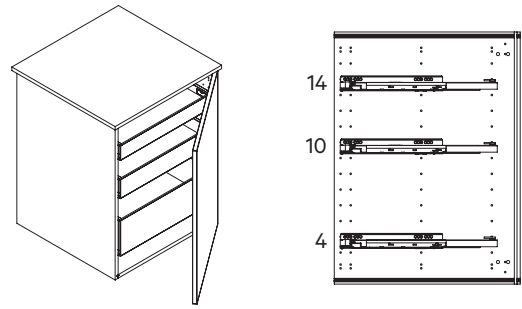
DRAWER SLIDES PLACEMENT 5.

# DRAWER SLIDES PLACEMENTS 2

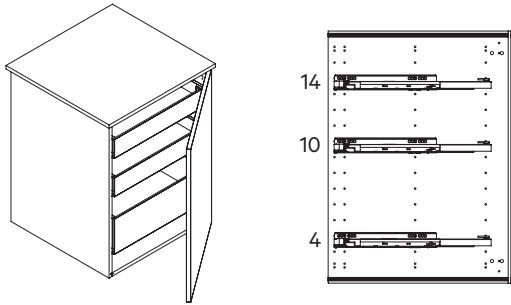
Below, you'll find the five most common combinations.



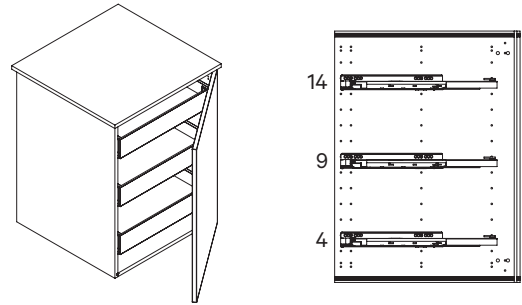
DRAWER SLIDES PLACEMENT 1.



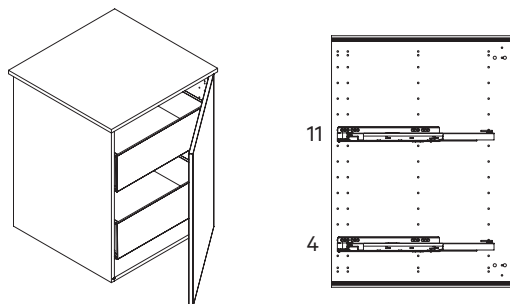
DRAWER SLIDES PLACEMENT 2.



DRAWER SLIDES PLACEMENT 3.



DRAWER SLIDES PLACEMENT 4.

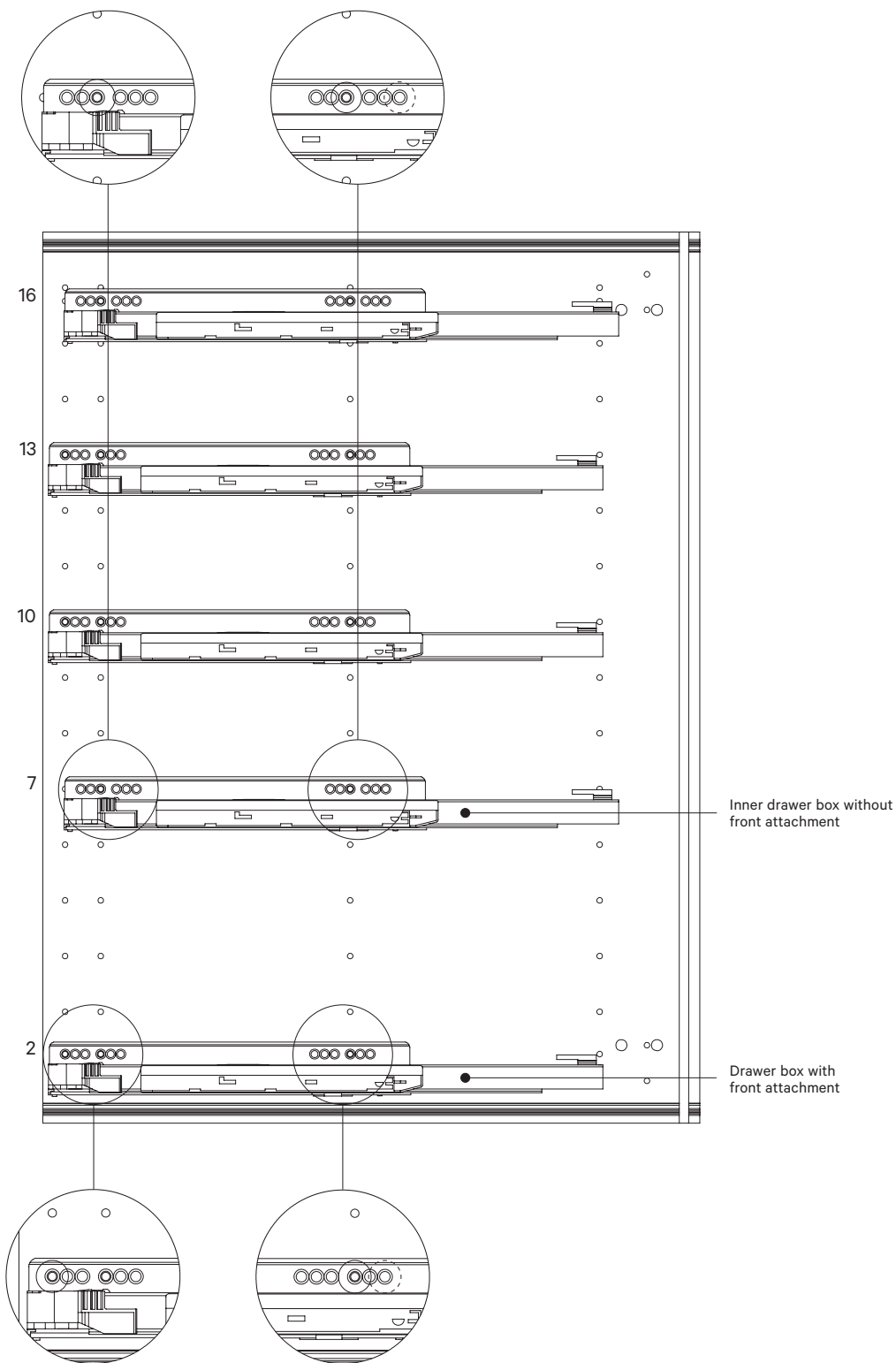


DRAWER SLIDES PLACEMENT 5.

# MOUNTING DRAWER SLIDES

Make sure that you use the right drawer slide hole when you mount the slide on the cabinet. Note that drawer slides for inner drawers are mounted differently.

FOR THE CABINET WITH A DEPTH OF 60 CM + 500 MM DRAWER SLIDES



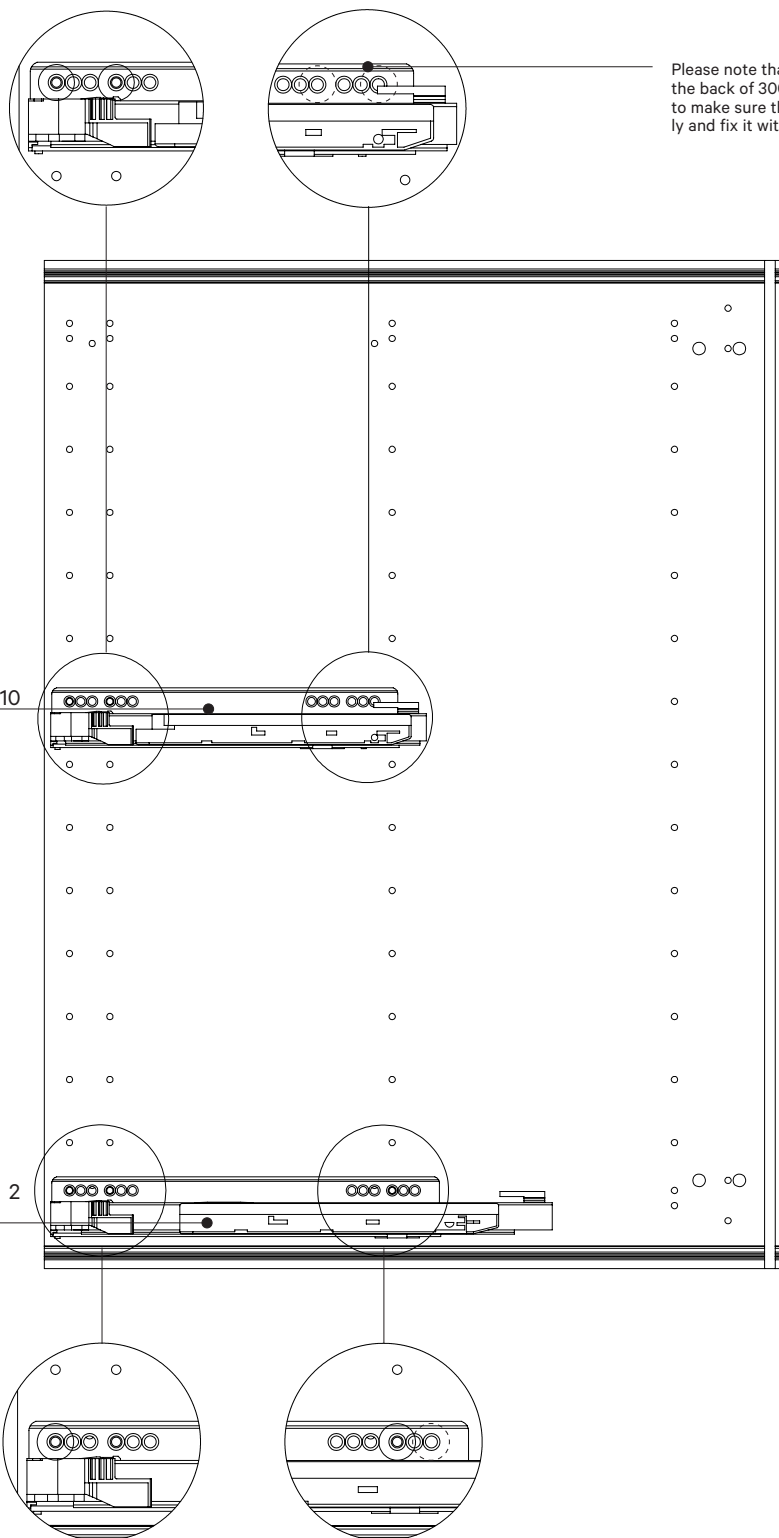
PLEASE NOTE THAT YOU HAVE TWO KINDS OF SCREWS.  
EACH SCREW IS COMPATIBLE WITH A PARTICULAR HOLE.



# MOUNTING DRAWER SLIDES

Make sure that you use the right drawer slide hole when you mount the slide on the cabinet. Note that drawer slides for inner drawers are mounted differently.

FOR THE SINK CABINET WITH A DEPTH OF 60 CM



Please note that there are no holes matching in the back of 300mm drawer slides. Use a leveller to make sure that the drawer slide is horizontally and fix it with 2 chipboard screws.

Drawer box with front attachment. 300mm drawer slides below the sink. (For inner drawer without front attachment see the next page)

Drawer box with front attachment. 400mm drawer slides for garbage. (For inner drawer without front attachment see the previous page)

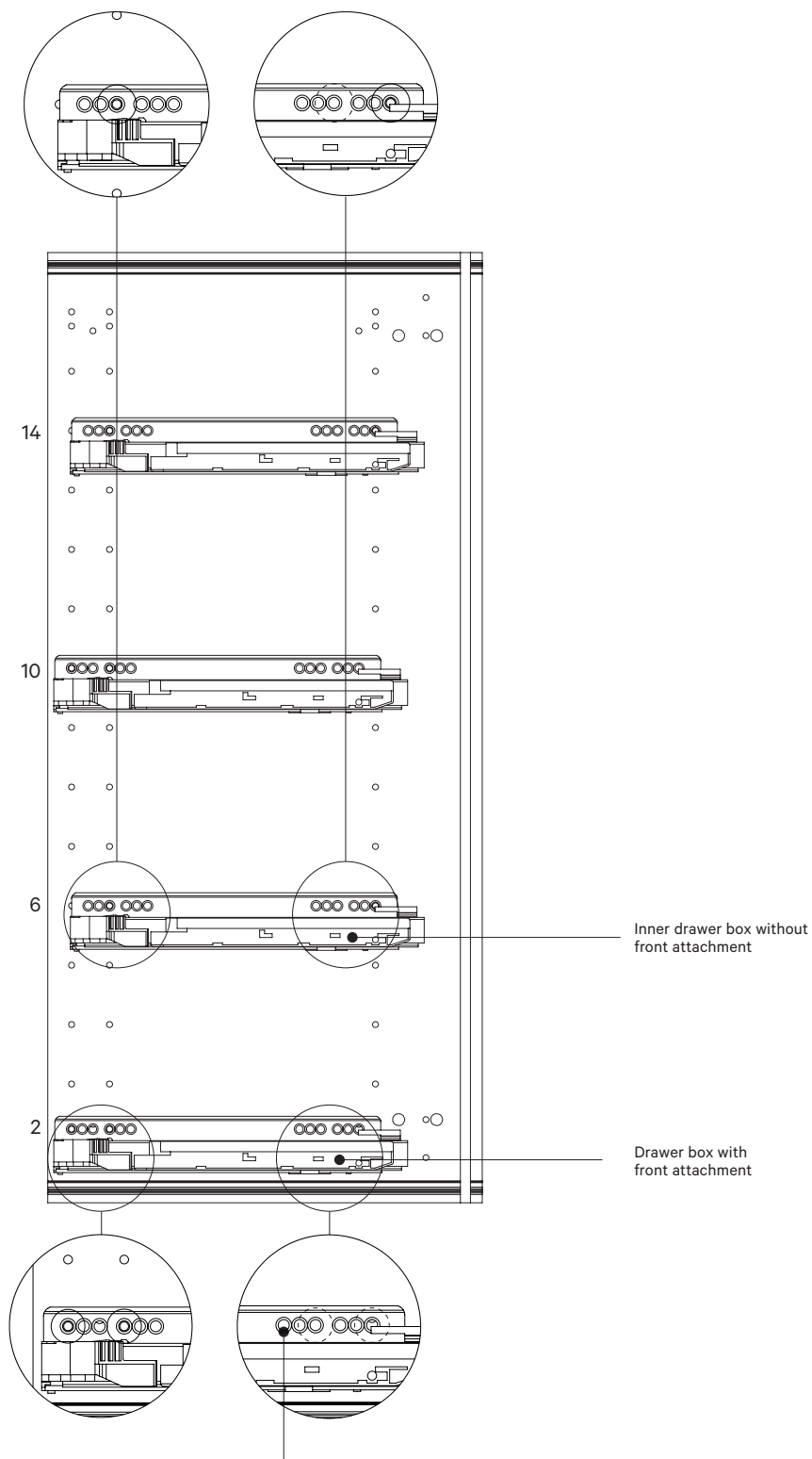


PLEASE NOTE THAT YOU HAVE TWO KINDS OF SCREWS. EACH SCREW IS COMPATIBLE WITH A PARTICULAR HOLE.

# MOUNTING DRAWER SLIDES

Make sure that you use the right drawer slide hole when you mount the slide on the cabinet. Note that drawer slides for inner drawers are mounted differently.

FOR THE CABINET WITH A DEPTH OF 37 CM + 300 MM DRAWER SLIDES



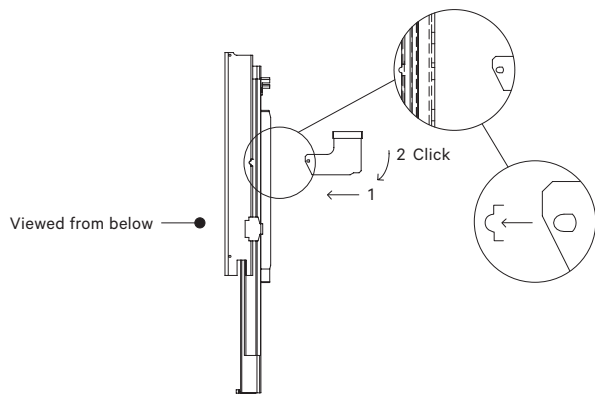
Please note that there are no holes matching in the back of 300mm drawer slides. Use a leveller to make sure that the drawer slide is horizontally and fix it with 2 chipboard screws.

PLEASE NOTE THAT YOU HAVE TWO KINDS OF SCREWS.  
EACH SCREW IS COMPATIBLE WITH A PARTICULAR HOLE.

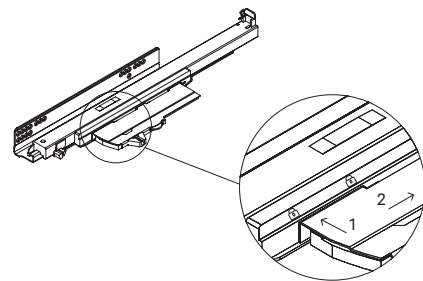
# TIP-ON / BLUMOTION

If you've acquired push-function for your drawers, follow the instructions outlined below.

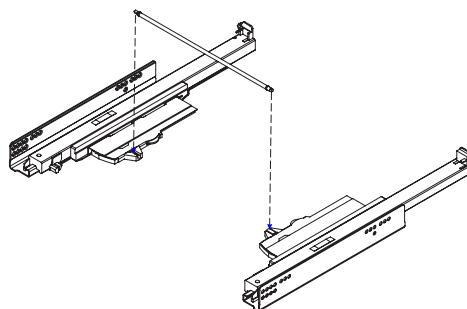
If you'd like more in-depth information on TIP-ON BLUMOTION technology, we recommend visiting the Legrabox drawer manufacturer, Blum: <https://www.blum.com/su/en/products/motion-technologies/tip-on-blumotion/legrabox/assembly/>



STEP 1 - LATCH



STEP 2 - UNIT



STEP 3 - SYNCHRONIZATION ROD

# INSTALLATION OF DRAWER BOX

In the following pages, you'll find instructions for mounting these combinations:

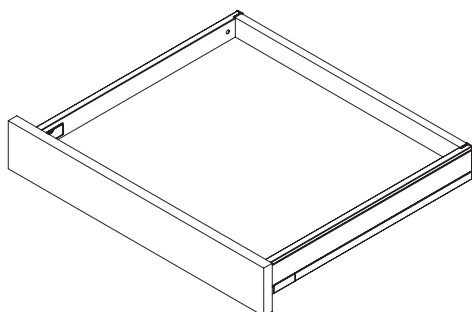
- 1) Low drawer box + 10 cm / 15 cm / 20 cm front
- 2) Medium drawer box + 20 cm / 40 cm front
- 3) High drawer box + 40 cm / 60 cm front / 80 cm front

Please note that the fronts should be mounted according to the specific drawer location in the cabinet.

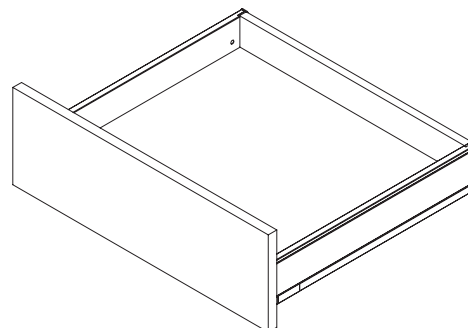
Please note that some fronts don't go with all drawers. We've made a table that shows you the different combinations.

Drawer box \ Front size	10 cm	15 cm	20 cm	40 cm	60 / 80 cm
Low	Page 12	Page 13	Page 13	-	-
Medium	-	-	Page 14	Page 15	-
High	-	-	-	Page 16	Page 16

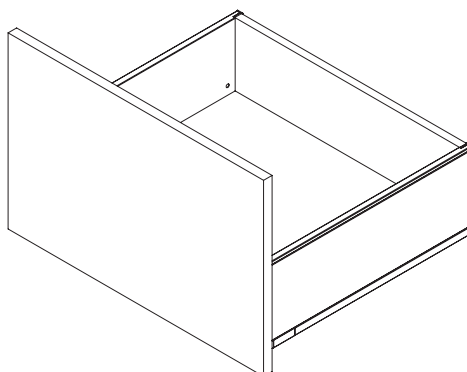
## OVERVIEW



LOW



MEDIUM



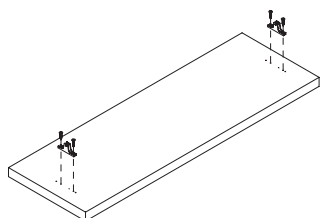
HIGH

# MOUNTING DRAWER FRONTS GENERAL INTRODUCTION

Please note that the fronts should be mounted according to the specific drawer location in the cabinet. This is to ensure that the fronts will fit perfectly.

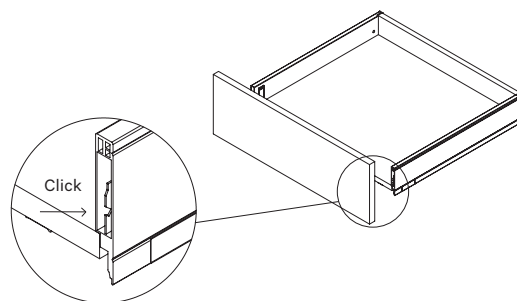
If you'd like more in-depth information on fronts mounting, we recommend visiting the Legrabox drawer manufacturer Blum: <https://www.blum.com/fi/en/products/boxsystems/legrabox/assembly/>

For mounting of inner drawers, see page 18.



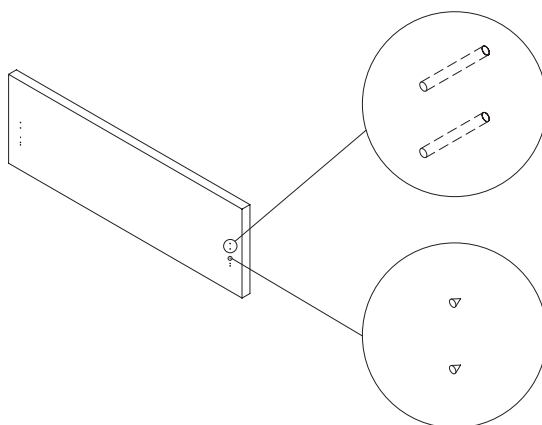
STEP 1

START BY FASTENING THE BRACKET TO THE FRONT USING YOUR SCREWS.  
SEE WHAT HOLES TO USE ON THE FOLLOWING PAGES.



STEP 2

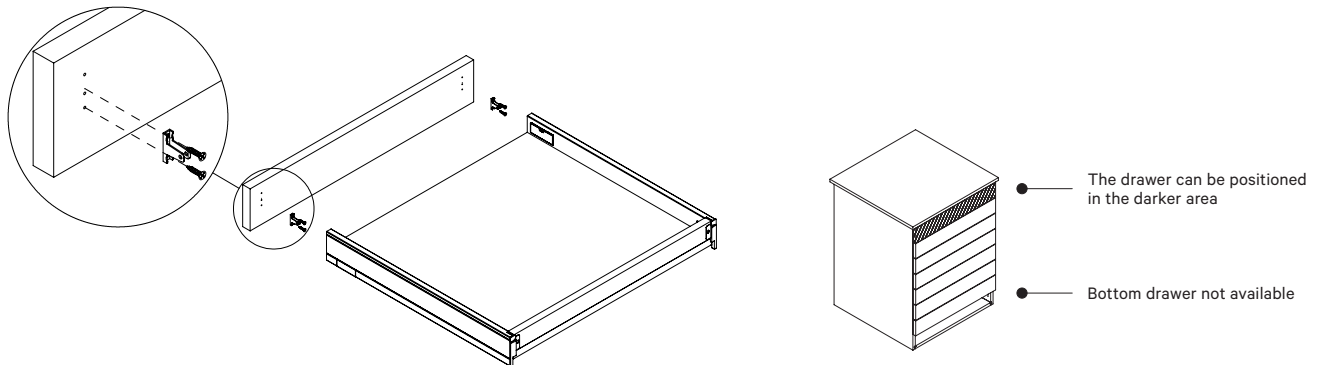
THEN CLICK THE FRONT ONTO THE DRAWER.



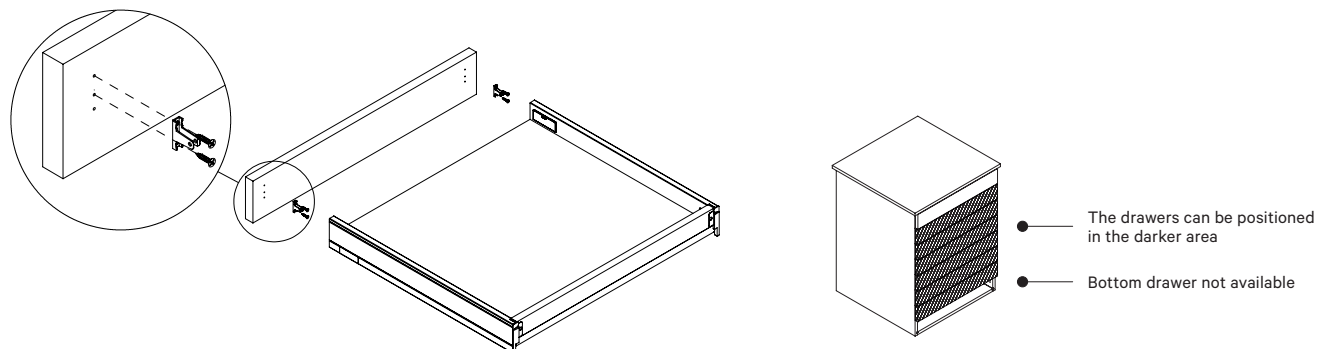
HOLES AND DOTS

# MOUNTING DRAWER FRONTS LOW DRAWER + 10 CM FRONT

Drawer box \ Front size	10 cm	15 cm	20 cm	40 cm	60 / 80 cm
Low	x	x	x	-	-

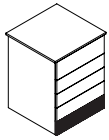


DRAWER FRONT POSITIONED IN THE TOP: 1ST HOLE AND DOT COUNTING FROM THE BOTTOM.

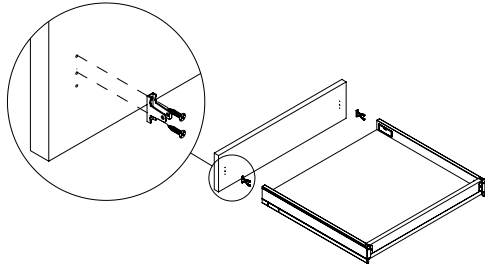


DRAWER FRONT POSITIONED IN THE MIDDLE: 2ND AND 3RD HOLE COUNTING FROM THE BOTTOM.

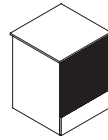
# MOUNTING DRAWER FRONTS LOW DRAWER + 15 CM FRONT



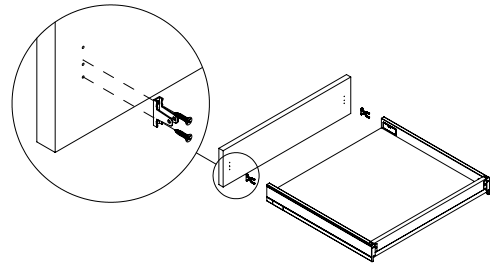
The drawer can be positioned in the darker area



DRAWER FRONT POSITIONED IN THE BOTTOM:  
2ND AND 3RD HOLE COUNTING FROM THE BOTTOM

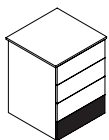


The drawer can be positioned in the darker area

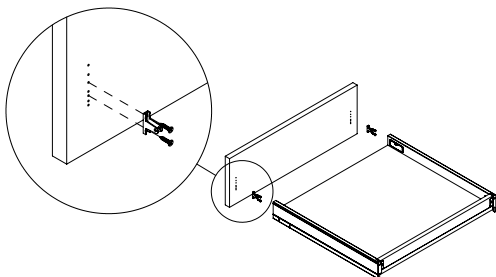


DRAWER FRONT POSITIONED IN THE MIDDLE:  
1ST HOLE AND DOT COUNTING FROM THE BOTTOM

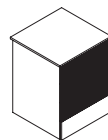
# MOUNTING DRAWER FRONTS LOW DRAWER + 20 CM FRONT



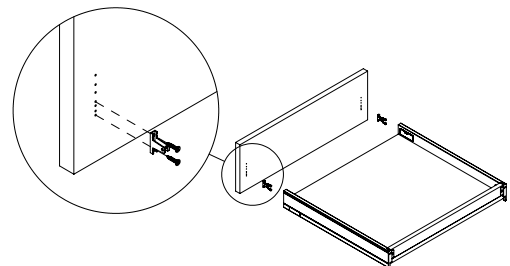
The drawer can be positioned in the darker area



DRAWER FRONT POSITIONED IN THE BOTTOM:  
3RD AND 5TH HOLE COUNTING FROM THE BOTTOM.



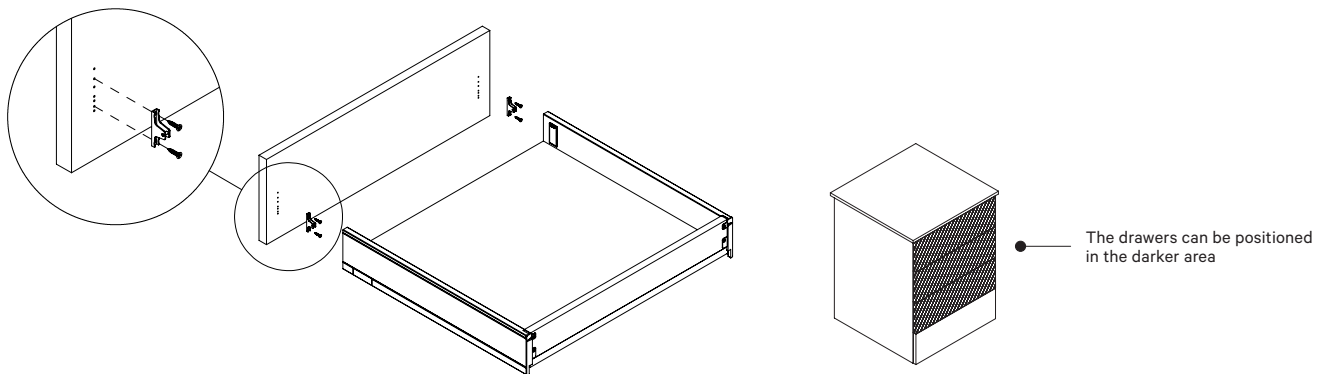
The drawers can be positioned in the darker area



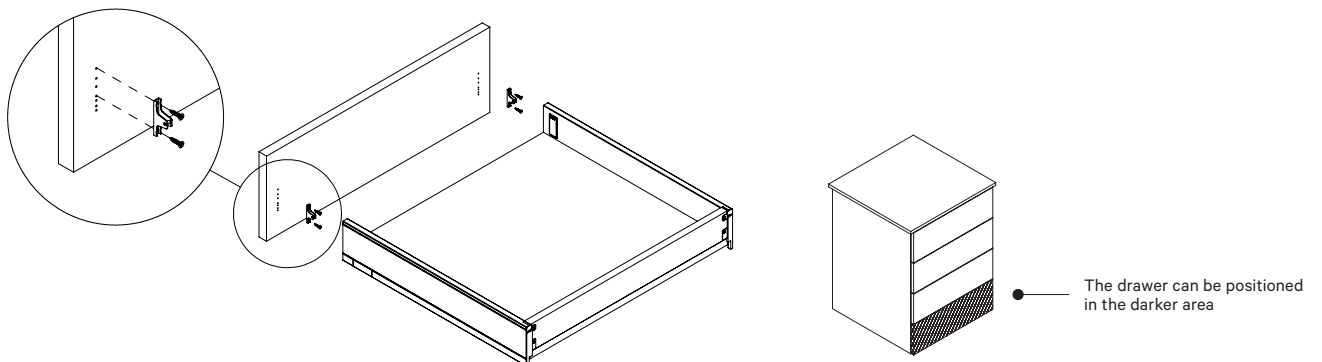
DRAWER FRONT POSITIONED IN THE MIDDLE AND TOP:  
1ST AND 4TH HOLE COUNTING FROM THE BOTTOM.

# MOUNTING DRAWER FRONTS MEDIUM DRAWER + 20 CM FRONT

Drawer box \ Front size	10 cm	15 cm	20 cm	40 cm	60 / 80 cm
Medium	-	-	x	x	-



DRAWER FRONT POSITIONED IN THE MIDDLE AND TOP: 2ND AND 6TH HOLE COUNTING FROM THE BOTTOM.

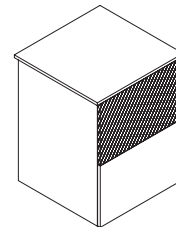
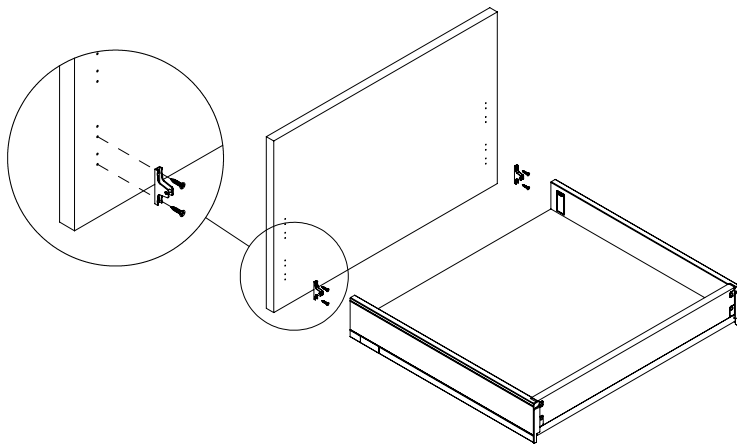


DRAWER FRONT POSITIONED IN THE BOTTOM: 4TH AND 7TH HOLE COUNTING FROM THE BOTTOM.



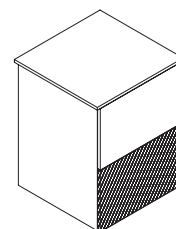
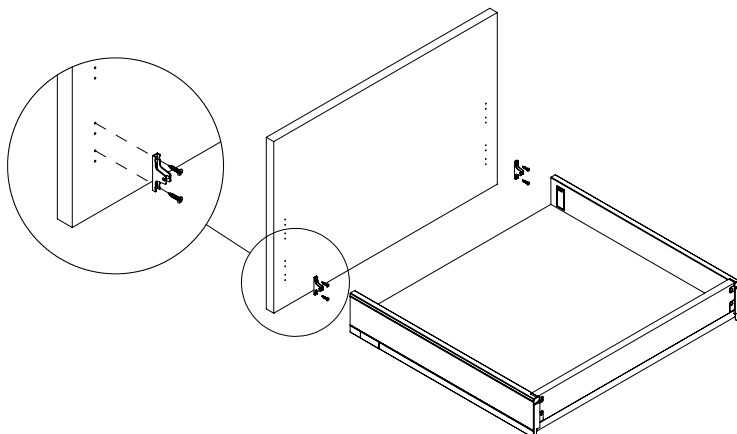
# MOUNTING DRAWER FRONTS

## MEDIUM DRAWER + 40 CM FRONT



The drawer can be positioned in the darker area

DRAWER FRONT POSITIONED IN THE TOP: 1ST AND 3RD HOLE COUNTING FROM THE BOTTOM.

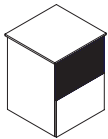


The drawer can be positioned in the darker area

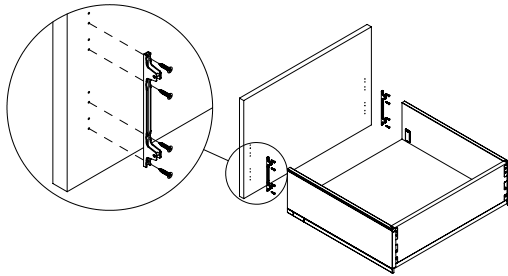
DRAWER FRONT POSITIONED IN THE BOTTOM: 2ND AND 4TH HOLE COUNTING FROM THE BOTTOM.

# MOUNTING DRAWER FRONTS HIGH DRAWER + 40 CM FRONT

Drawer box \ Front size	10 cm	15 cm	20 cm	40 cm	60 / 80 cm
High	-	-	-	x	x



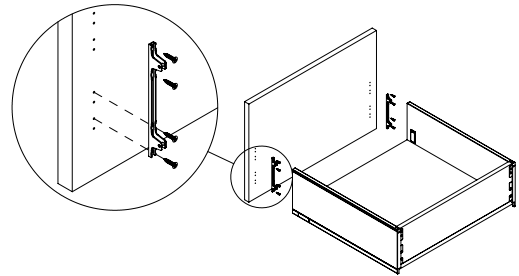
The drawer can be positioned in the darker area



DRAWER FRONT POSITIONED IN THE TOP:  
1ST, 3RD, 5TH, 7TH HOLE COUNTING FROM THE BOTTOM.

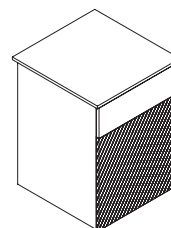
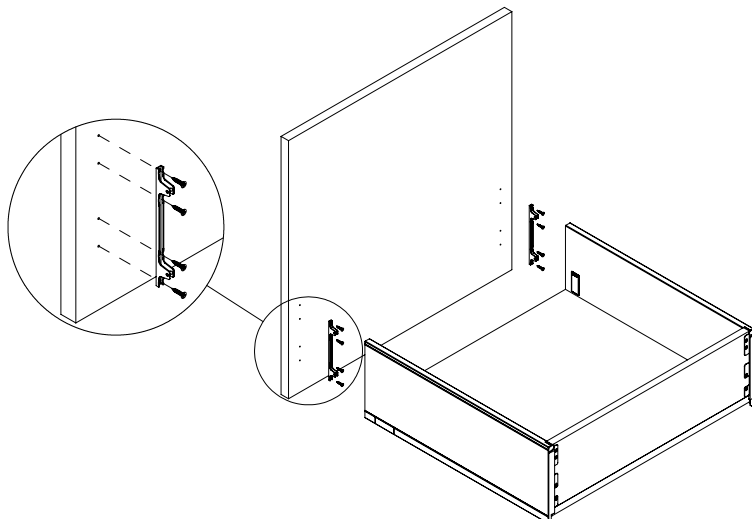


The drawer can be positioned in the darker area



DRAWER FRONT POSITIONED IN THE BOTTOM:  
2ND, 4TH, 6TH, 8TH HOLE COUNTING FROM THE BOTTOM.

# MOUNTING DRAWER FRONTS HIGH DRAWER + 60 / 80 CM FRONT



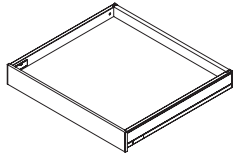
The drawer can be positioned in the darker area

DRAWER FRONT POSITIONED IN THE BOTTOM: ALL HOLES COUNTING FROM THE BOTTOM..

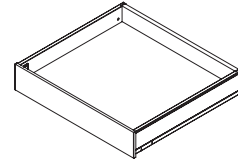
# INSTALLATION OF INNER DRAWER BOX

Inner drawer fronts come in one size.

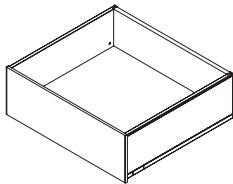
## OVERVIEW



LOW

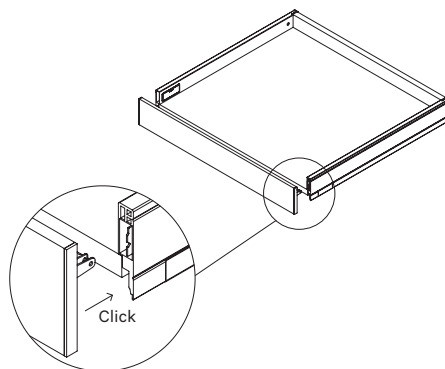


MEDIUM



HIGH

# MOUNTING OF INNER DRAWER FRONTS



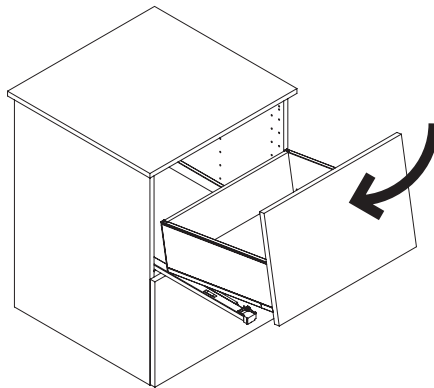
NOTE THAT THE BRACKETS ARE ALREADY MOUNTED TO THE FRONT BEFORE YOU MOUNT THE INNER DRAWER FRONTS.  
YOU JUST NEED TO CLICK THE PARTS TOGETHER.

## FINAL ADJUSTMENTS MOUNTING / UNMOUNTING

If you'd like more in-depth information on adjustments, we recommend visiting the Legrabox drawer manufacturer, Blum: <https://www.blum.com/fi/en/products/boxsystems/legrabox/assembly/>

---

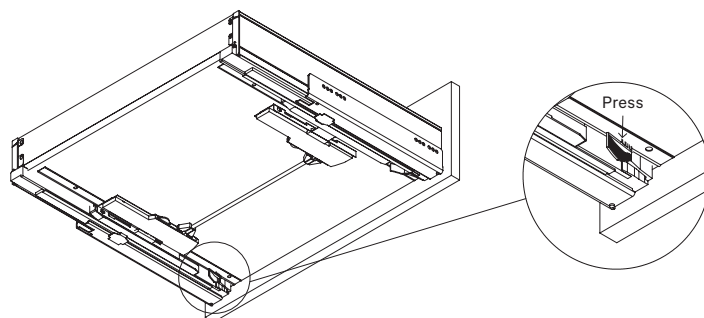
### MOUNTING



TO INSERT THE DRAWER TO THE CABINET PLACE THE BACK OF THE DRAWER ONTO THE RUNNERS AND SLIDE THE DRAWER IN UNTIL YOU FEEL IT CLICK.

---

### UNMOUNTING



IN CASE YOU NEED TO UNMOUNT THE DRAWER:

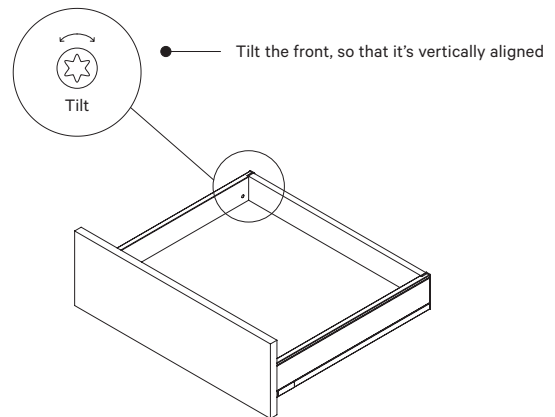
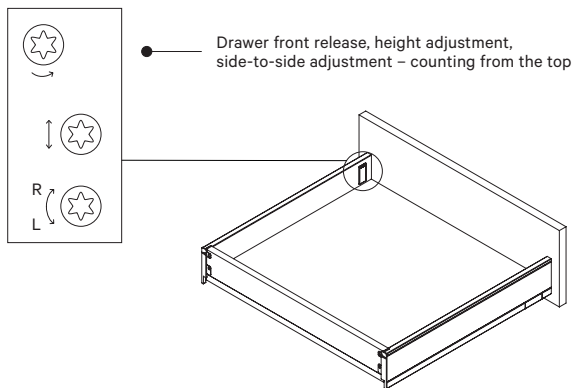
WITH THE DRAWER FULLY EXTENDED, REACH UNDER THE DRAWER AND SQUEEZE THE RELEASE LEVELERS FOR THE LOCKING DEVICES. THEN PULL THE DRAWER OUT.

# FINAL ADJUSTMENTS

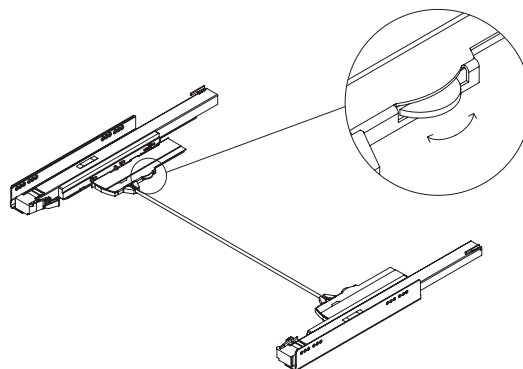
## DRAWER ADJUSTMENT / TIP-ON BLUMOTION

In case you need to make adjustments to your drawer position, follow the instructions below.

If you'd like more in-depth information on adjustments, we recommend visiting the Legrabox drawer manufacturer Blum: <https://www.blum.com/fi/en/products/boxsystems/legrabox/assembly/>



MAKING ADJUSTMENTS INSIDE THE DRAWER. MAKE THE ADJUSTMENTS FROM BOTH SIDES.



DEPTH ADJUSTMENT: MOVE TOWARDS BACK TO MOVE THE DRAWER INSIDE AND TOWARDS OUTSIDE TO MOVE IT OUT. MAKE THE ADJUSTMENTS FROM BOTH SIDES.