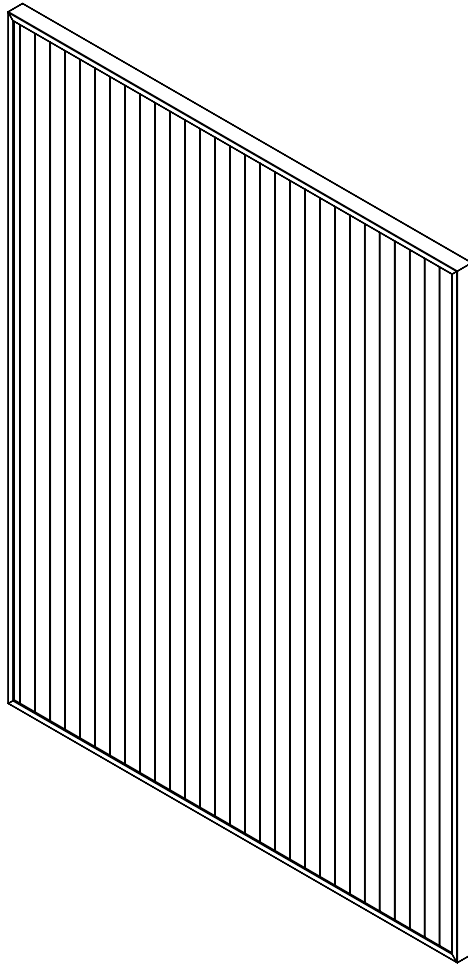


INSTALLATION GUIDE

REFLECT COVER PANELS AND FILLER PIECES





English

Important information.
Read carefully. Follow each step of the instruction carefully.
Keep this information for further reference.

WARNING

Serious or fatal crushing injuries can occur from furniture tip-over. To prevent this furniture from tipping over it must be permanently fixed to the wall with the included wall attachment devices.

Fastening devices for the wall are not included since different wall materials require different types of fastening devices. Use fastening devices suitable for the walls in your home. For advice on suitable fastening devices, contact your local specialized dealer.

Safety recommendation:

- Place heaviest items in the lowest drawers.
- Prevent children from climbing or hanging on the drawers, doors or shelves.

Dansk

Vigtige oplysninger Læs omhyggeligt Følg de enkelte trin i anvisningerne omhyggeligt Gem disse oplysninger til senere brug.

ADVARSEL!

Der kan opstå alvorlig eller livsfarlig tilskadekomst, hvis møblet vælter. For at undgå, at møblet vælter, skal det fastgøres permanent til væggen med de medfølgende vægbeslag.

Forskellige vægmaterialer kræver forskellige skruer og rawplugs. Medfølger ikke. Brug skruer og rawplugs, der passer til væggene i dit hjem. Hvis du er i tvivl om, hvilken type skruer/rawplugs du skal bruge, skal du kontakte et byggemarked.

Deutsch

Wichtige information.
Sorgfältig lesen. Jeden Schritt der Anleitung sorgfältig befolgen.
Diese Information aufbewahren.

ACHTUNG

Wenn Möbelstücke umkippen, können ernste oder lebensgefährliche Verletzungen durch Einklemmen die Folge sein. Um zu verhindern, dass dieses Möbelstück umkippt, muss es mit der beigegepackten Vorrichtung zur Wandbefestigung fest an der Wand verankert werden.

Beschläge für die Wandbefestigung sind nicht beigegepackt, da sie von der Beschaffenheit der Wand und des Untergrundmaterials abhängig sind. Befestigungsbeschläge benutzen, die für die heimischen Wände geeignet sind. Bei diesbezüglichen Fragen den.

Français

Information importante.
Lire attentivement. Suivre soigneusement chacune des étapes de ces instructions. Conserver ces instructions pour une utilisation ultérieure.

ATTENTION

Risque de blessure grave ou mortelle en cas de basculement du meuble. Pour éviter que le meuble ne bascule, il faut le fixer au mur de façon permanente à l'aide des pièces pour fixation incluses.

Les vis ne sont pas incluses car leur choix dépend du matériau du mur sur lequel est fixé le meuble. Utilisez des vis adaptées au matériau du mur. Pour obtenir des conseils sur les vis à utiliser, adressez-vous à un vendeur spécialisé.

INDEX

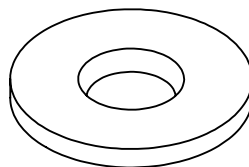
4	INSTALLING COVER PANELS ON HIGH CABINETS UP AGAINST A COUNTERTOP
5	INSTALLING TOP AND BOTTOM PANELS
7	INSTALLING COVER PANELS
9	INSTALLING FILLER PIECES IN CORNERS
10	ON-SITE CUTTING OF COVER PANELS AND FILLERS

INTRODUCTION

We've created this guide to help you install your REFLECT cover panels and filler pieces. Note that this guide should be used as an addition to the 'General Guide: Kitchen Installation'. Follow the easy-to-follow instructions for each cover panel scenario that applies for your kitchen layout.

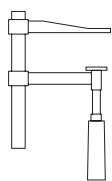
Please note that the installation should be carried out by qualified individuals. Follow the recommendations for an uncomplicated installation.

INCLUDED IN THE PACKAGE:



WASHER

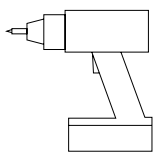
TOOLS AND EQUIPMENT YOU MIGHT NEED



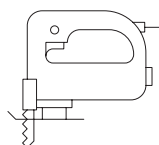
G CLAMPS



SCREWDRIVER



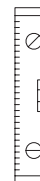
ELECTRIC SCREWDRIVER



JIGSAW



MEASURING TAPE



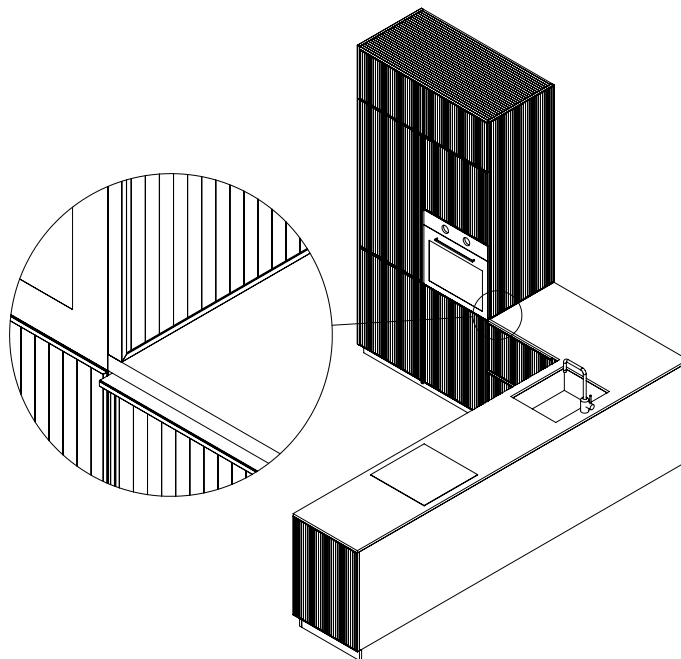
SPIRIT LEVEL

INSTALLING COVER PANELS ON HIGH CABINETS UP AGAINST A COUNTERTOP

There are two different ways to install your REFLECT cover panel on a high cabinet up against the countertop:

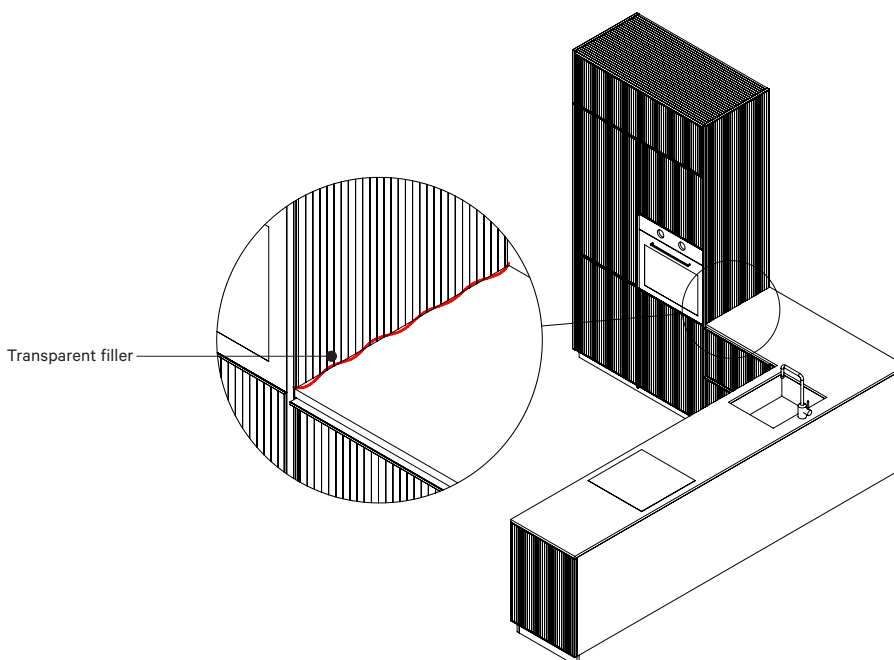
1. Cover panel covers the high cabinet from countertop and up
2. Cover panel covers the high cabinet from the bottom of the cabinet and all the way to the top

Please note that due to the profile on the REFLECT cover panel, a little gap between the cover panel and countertop is inevitable where the countertop meets the cover panel. Use transparent filler to close the gap to avoid dirt and dust in the opening.



IF THE COVER PANEL COVERS THE HIGH CABINET FROM THE COUNTERTOP AND UP, THE COVER PANEL IS INSTALLED ON TOP OF THE COUNTERTOP.

1



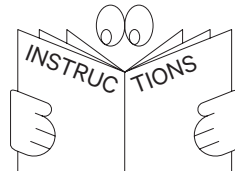
IF THE COVER PANEL COVERS THE HIGH CABINET FROM THE BOTTOM OF THE CABINET AND ALL THE WAY TO THE TOP, THE COUNTERTOP IS INSTALLED UP AGAINST THE COVER PANEL.

2

INSTALLING TOP AND BOTTOM PANELS

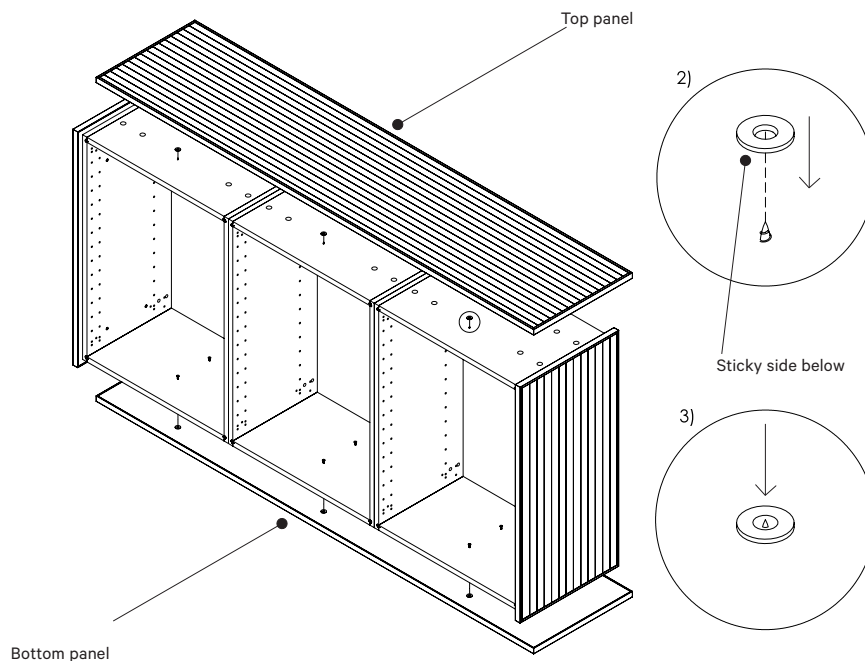
Follow these instructions if you have wall cabinets or high cabinets that need a bottom and/or top panel. To fasten the panels, you need to use the washers that come with the cover panels. Please note that screws for fastening the cover panels are not included.

Please follow the instructions in combination with the instructions on page 18 in 'General Guide: Kitchen Installation'.



STEP 1

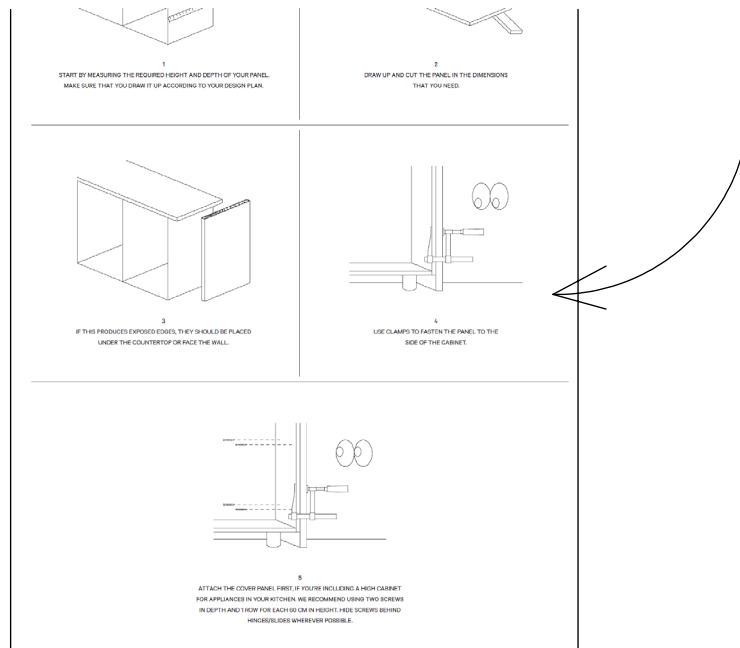
IN CASE YOU NEED TO CUT YOUR PANELS TO FIT ANY IRREGULARITIES, NOW IS THE TIME TO DO SO. FIND INSTRUCTIONS ON HOW TO CUT THE PANELS IN THIS GUIDE ON PAGE 10.



STEP 2

DUE TO THE PROFILES ON THE BOTTOM AND TOP PANELS, YOU NEED TO INSERT WASHERS BETWEEN THE COVER PANEL AND THE CABINET BEFORE FASTENING THE COVER PANELS. PLEASE NOTE THAT SCREWS ARE NOT INCLUDED.

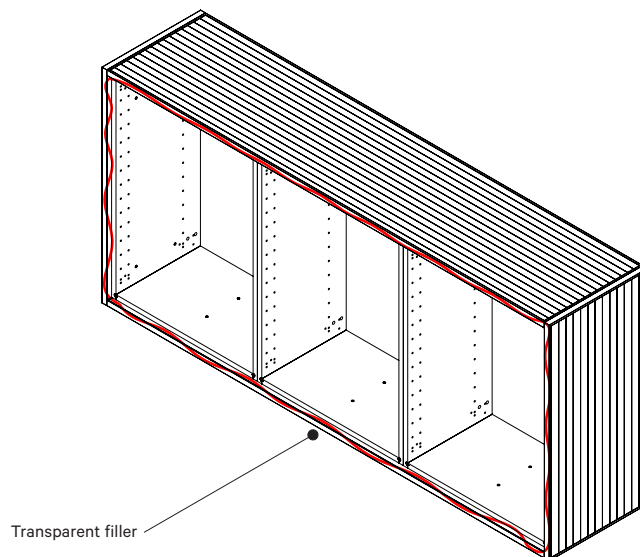
1. SCREW IN SCREWS INTO THE BOTTOM/TOP OF THE CABINET UNTIL THE TIP OF THE SCREW IS VISIBLE FROM THE OTHER SIDE OF THE CABINET. WE RECOMMEND USING TWO SCREWS FOR EVERY 60 CM IN WIDTH.
2. REMOVE PAPER FROM THE WASHER AND STICK IT ONTO THE OPPOSITE SIDE OF THE CABINET AROUND THE TIP OF THE SCREW.
3. LOOSEN THE SCREWS A BIT, SO THE TIP DOESN'T STICK OUT MORE THAN THE WASHER ITSELF.



STEP 3

FASTEN THE COVER PANEL TO THE CABINET USING CLAMPS, AND SCREW - THROUGH THE WASHERS - INTO THE COVER PANEL.
MAKE SURE THAT YOU DON'T SCRATCH THE SURFACE WHEN CLAMPING THE COVER PANELS.

PLEASE SEE FULL INSTRUCTIONS ON INSTALLATION OF COVER PANELS ON PAGE 18 IN 'GENERAL GUIDE: KITCHEN INSTALLATION'.



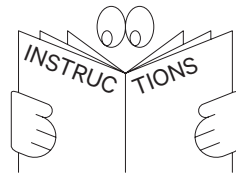
STEP 4

USE TRANSPARENT SILICONE TO FILL THE GAP BETWEEN
THE CABINET AND THE COVER PANEL.

INSTALLING COVER PANELS

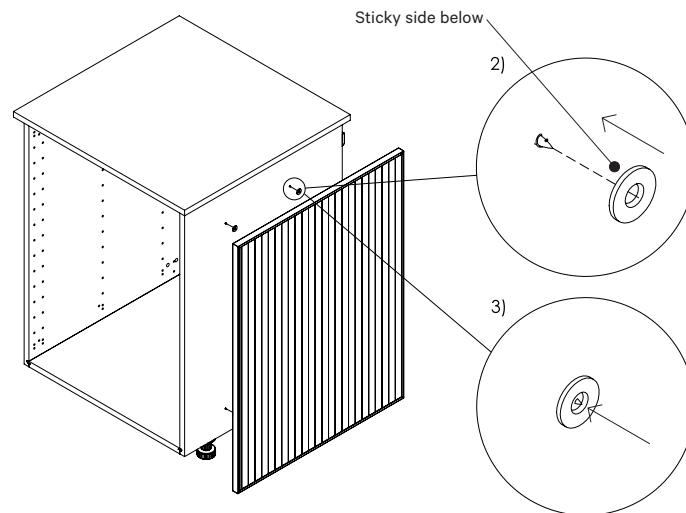
Follow these instructions if you need to install cover panels on the cabinets. To fasten the cover panels, you need to use the washers that come with the cover panels. Please note that screws for fastening the cover panels are not included.

Please follow the instructions in combination with the instructions on page 18 in 'General Guide: Kitchen Installation'.



STEP 1

IN CASE YOU NEED TO CUT YOUR PANELS TO FIT ANY IRREGULARITIES, NOW IS THE TIME TO DO SO. FIND INSTRUCTIONS ON HOW TO CUT THE PANELS IN THIS GUIDE ON PAGE 10.



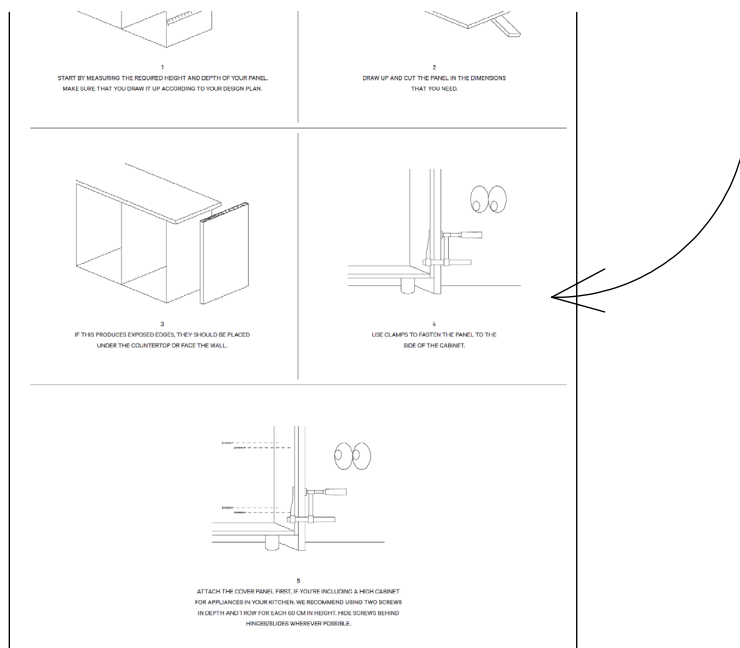
STEP 2

DUE TO THE PROFILES ON THE COVER PANELS, YOU NEED TO INSERT WASHERS BETWEEN THE COVER PANEL AND THE CABINET BEFORE FASTENING THE COVER PANELS. PLEASE NOTE THAT SCREWS ARE NOT INCLUDED.

1. SCREW IN SCREWS INTO THE SIDE OF THE CABINET UNTIL THE TIP OF THE SCREW IS VISIBLE FROM THE OTHER SIDE OF THE CABINET. WE RECOMMEND USING TWO SCREWS FOR EVERY 60 CM IN WIDTH.

2. REMOVE PAPER FROM THE WASHER AND STICK IT ONTO THE OPPOSITE SIDE OF THE CABINET AROUND THE TIP OF THE SCREW.

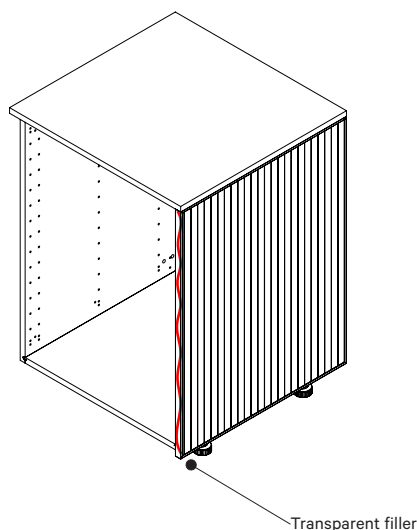
3. LOOSEN THE SCREWS A BIT, SO THE TIP DOESN'T STICK OUT MORE THAN THE WASHER ITSELF.



STEP 3

FASTEN THE COVER PANEL TO THE CABINET USING CLAMPS, AND SCREW - THROUGH THE WASHERS - INTO THE COVER PANEL.
MAKE SURE THAT YOU DON'T SCRATCH THE SURFACE WHEN CLAMPING THE COVER PANELS.

PLEASE SEE FULL INSTRUCTIONS ON INSTALLATION OF COVER PANELS ON PAGE 18 IN 'GENERAL GUIDE: KITCHEN INSTALLATION'.

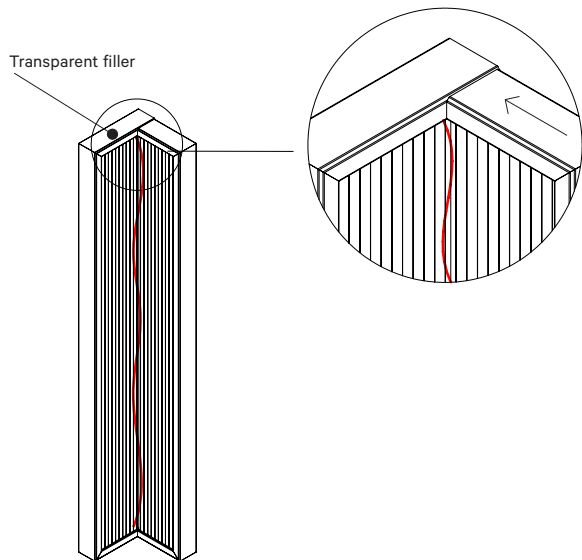


STEP 4

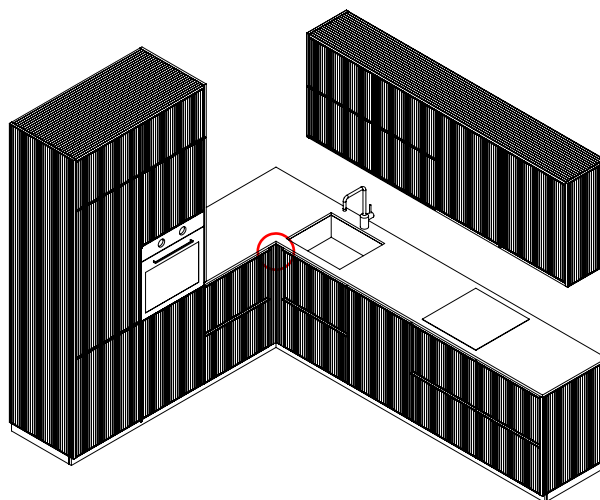
USE TRANSPARENT SILICONE TO FILL THE GAP BETWEEN THE CABINET AND THE
COVER PANEL.

INSTALLING FILLER PIECES IN CORNERS

In case you have an opening between the cabinets in the corner of your kitchen, you can close the gap with filler pieces.

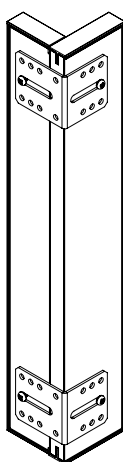


Location in the kitchen:



STEP 1

THE GAP IS CLOSED BY CUTTING A FILLER PIECE INTO TWO AND PLACING THEM UP AGAINST EACH OTHER IN A 90 DEGREE ANGLE. USE TRANSPARENT FILLER IN BETWEEN TO JOIN THE TWO PIECES.



STEP 2

FASTEN THE FILLER PIECES IN A 90 DEGREE ANGLE USING TWO ANGLE BRACKETS SCREWED INTO THE BACK. PLEASE NOTE THAT THESE ARE NOT INCLUDED IN THE PACKAGE.

ON-SITE CUTTING OF COVER PANELS AND FILLERS

In case you need to cut your cover panels and filler pieces to fit on-site, you'll need to use a jigsaw. Note that the saw blade needs to be specified to cut through a combination of thin steel and wood.

