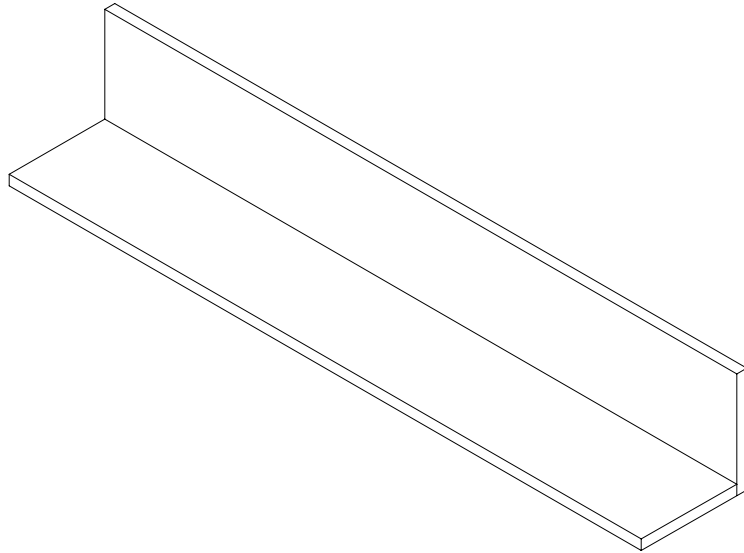
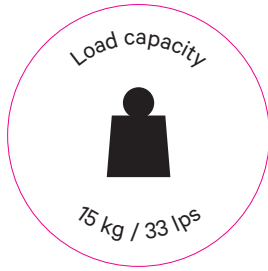


PRODUCT ASSEMBLY GUIDE

PROFILE SHELVES





English

Important information.
Read carefully. Follow each step of the instruction carefully.
Keep this information for further reference.

WARNING

Serious or fatal crushing injuries can occur from furniture tip-over. To prevent this furniture from tipping over it must be permanently fixed to the wall with the included wall attachment devices.

Fastening devices for the wall are not included since different wall materials require different types of fastening devices. Use fastening devices suitable for the walls in your home. For advice on suitable fastening devices, contact your local specialized dealer.

Safety recommendation:

- Place heaviest items in the lowest drawers.
- Prevent children from climbing or hanging on the drawers, doors or shelves.

Dansk

Vigtige oplysninger Læs omhyggeligt Følg de enkelte trin i anvisningerne omhyggeligt Gem disse oplysninger til senere brug.

ADVARSEL!

Der kan opstå alvorlig eller livsfarlig tilskadekomst, hvis møblet vælter. For at undgå, at møblet vælter, skal det fastgøres permanent til væggen med de medfølgende vægbeslag.

Forskellige vægmateriale kræver forskellige skruer og rawplugs. Medfølger ikke. Brug skruer og rawplugs, der passer til væggene i dit hjem. Hvis du er i tvivl om, hvilken type skruer/rawplugs du skal bruge, skal du kontakte et byggemarked.

Deutsch

Wichtige information.
Sorgfältig lesen. Jeden Schritt der Anleitung sorgfältig befolgen.
Diese Information aufbewahren.

ACHTUNG

Wenn Möbelstücke umkippen, können ernste oder lebensgefährliche Verletzungen durch Einklemmen die Folge sein. Um zu verhindern, dass dieses Möbelstück umkippt, muss es mit der beige-packten Vorrichtung zur Wandbefestigung fest an der Wand verankert werden.

Beschläge für die Wandbefestigung sind nicht beige-packt, da sie von der Beschaffenheit der Wand und des Untergrundmaterials abhängig sind. Befestigungsbeschläge benutzen, die für die heimischen Wände geeignet sind. Bei diesbezüglichen Fragen den.

Français

Information importante.
Lire attentivement. Suivre soigneusement chacune des étapes de ces instructions.
Conserver ces instructions pour une utilisation ultérieure.

ATTENTION

Risque de blessure grave ou mortelle en cas de basculement du meuble. Pour éviter que le meuble ne bascule, il faut le fixer au mur de façon permanente à l'aide des pièces pour fixation incluses.

Les vis ne sont pas incluses car leur choix dépend du matériau du mur sur lequel est fixé le meuble. Utilisez des vis adaptées au matériau du mur. Pour obtenir des conseils sur les vis à utiliser, adressez-vous à un vendeur spécialisé.

PROFILE SHELVES

We've created this guide to help you assemble your new PROFILE shelves in a quick, simple, and uncomplicated way.

Please note that the assembly should be carried out by qualified individuals. Follow the steps outlined in the following pages to complete your shelves. We recommend assembling the product on a carpet or a similar surface that provides shock-absorption and a firm footing.

HARDWARE

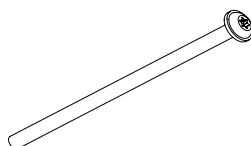
ILLUSTRATIONS NOT TO SCALE

3-5x WOOD SCREW Ø6x120MM (DEPENDING ON SHELF SIZE)

4x WOODEN DOWELS

2x WALL SCREW (NOT INCLUDED)

2X WALL PLUG (NOT INCLUDED)



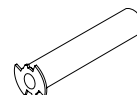
WOOD SCREW Ø6x120



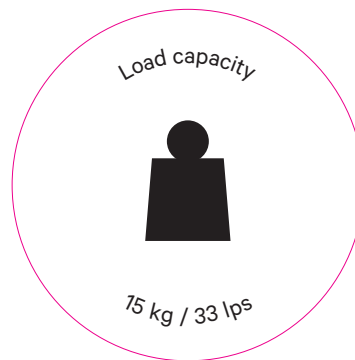
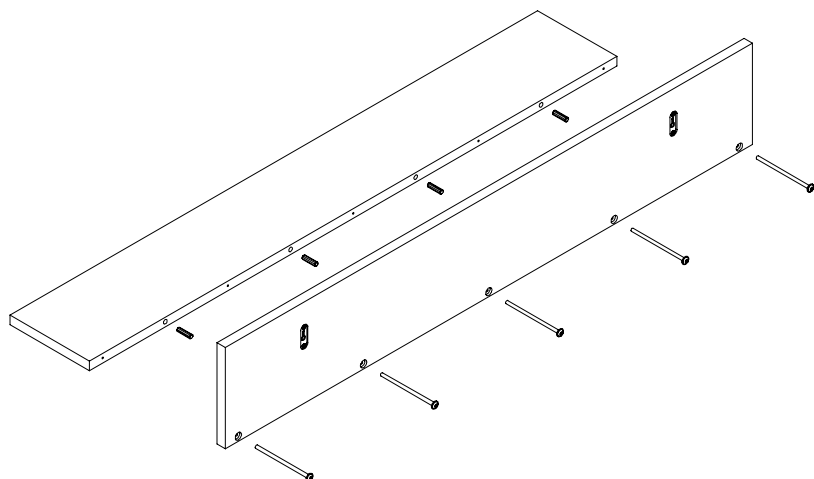
WOODEN DOWEL



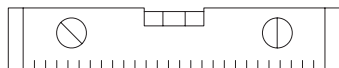
WALL SCREW
(NOT INCLUDED)



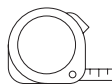
WALL PLUG
(NOT INCLUDED)



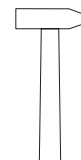
TOOLS AND EQUIPMENT YOU MIGHT NEED



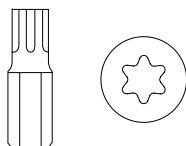
SPIRIT LEVEL



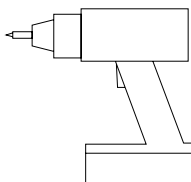
MEASURING TAPE



HAMMER



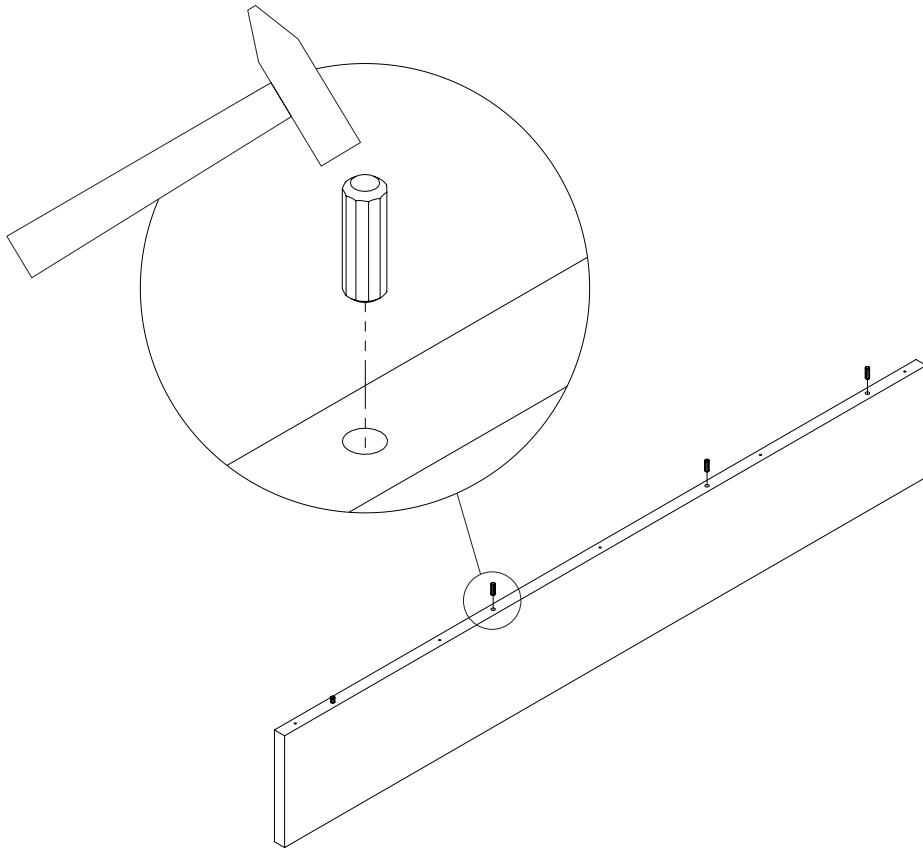
TORX T40 BIT



ELECTRIC SCREWDRIVER

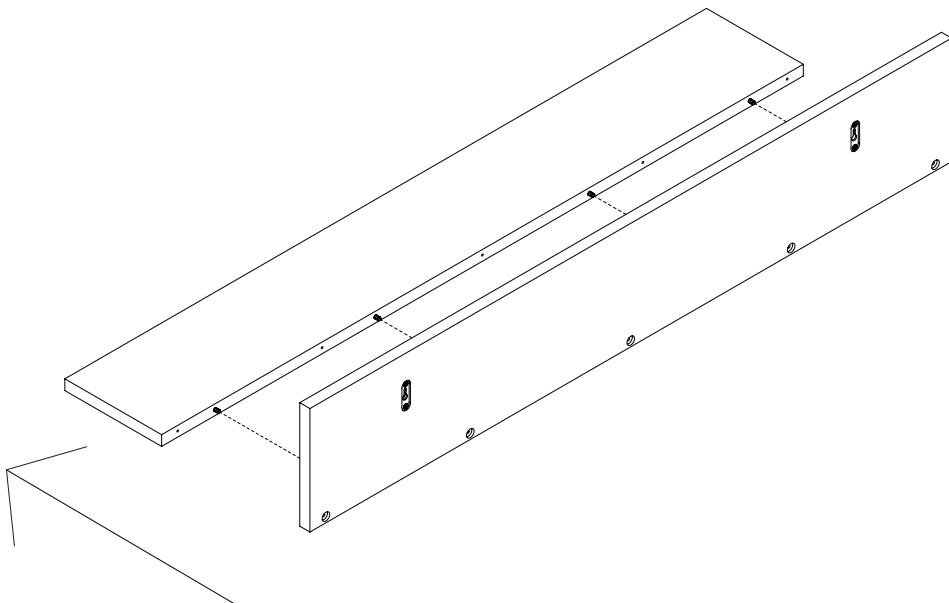


SOCKET WRENCH



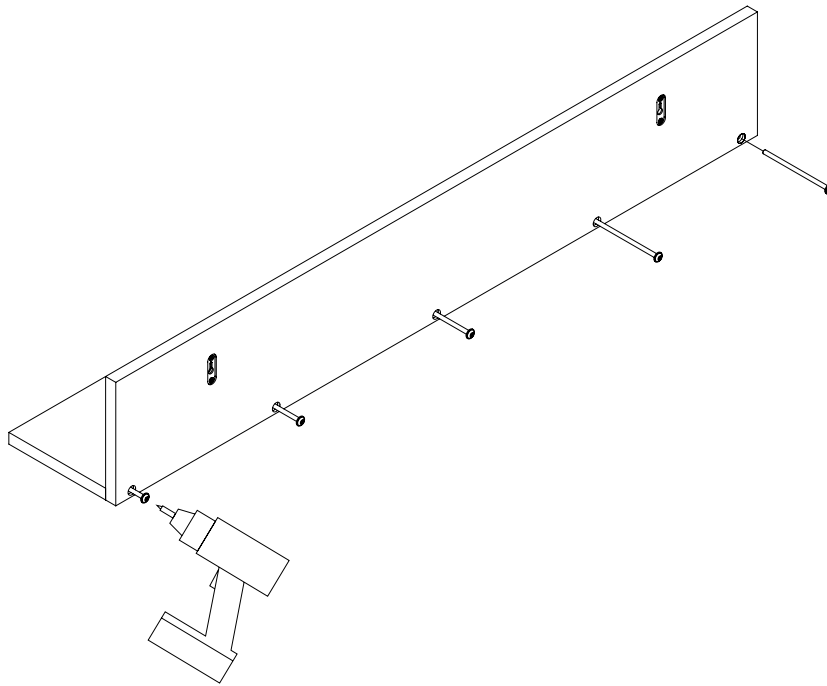
1

INSERT THE WOODEN DOWELS



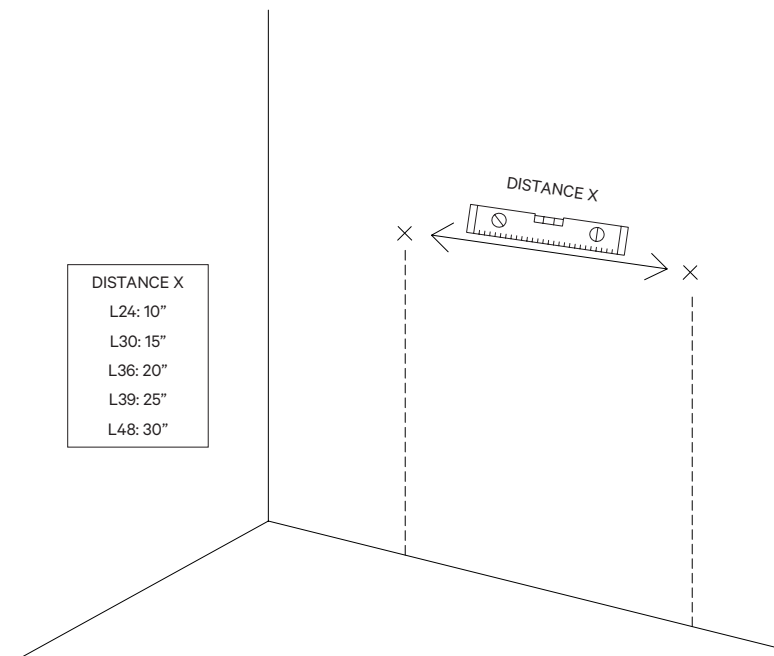
3

PUSH THE PANELS TOGETHER



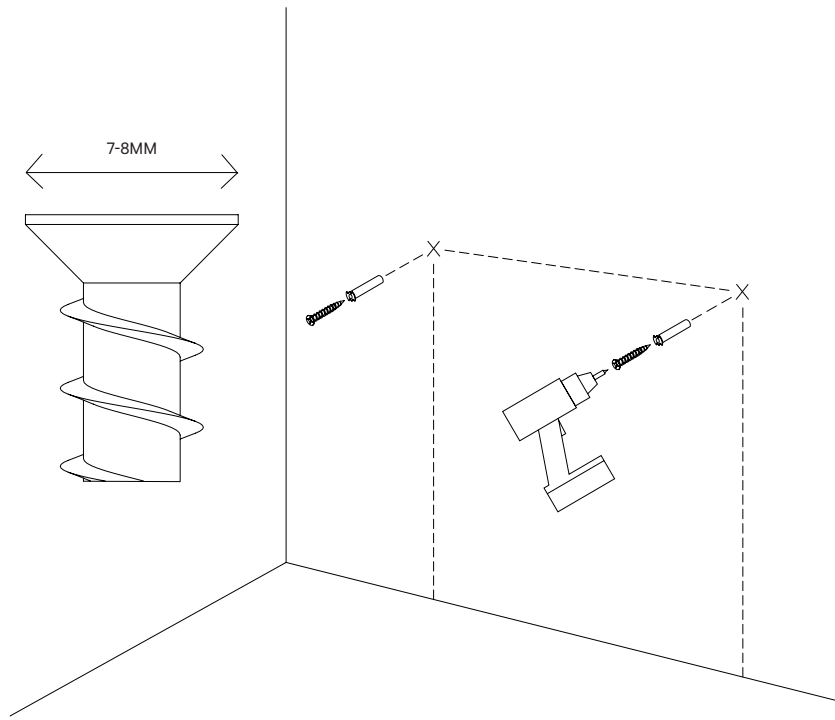
4

FASTEN THE LONG SCREWS Ø6X120 LITTLE BY LITTLE.
USE A STRONG ELECTRIC SCREW DRIVER OR A SOCKET WRENCH.



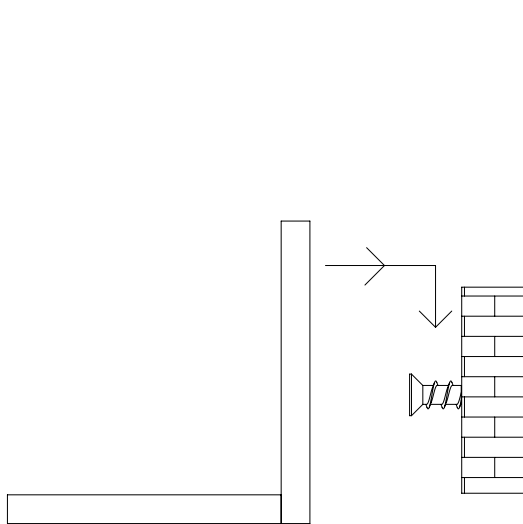
5

MARK AND DRILL THE TWO HOLES AT YOUR DESIRED HEIGHT.
THE DISTANCE BETWEEN THE HOLES IS DEPENDING ON YOUR SHELF SIZE.
SEE ABOVE SCHEMATIC.



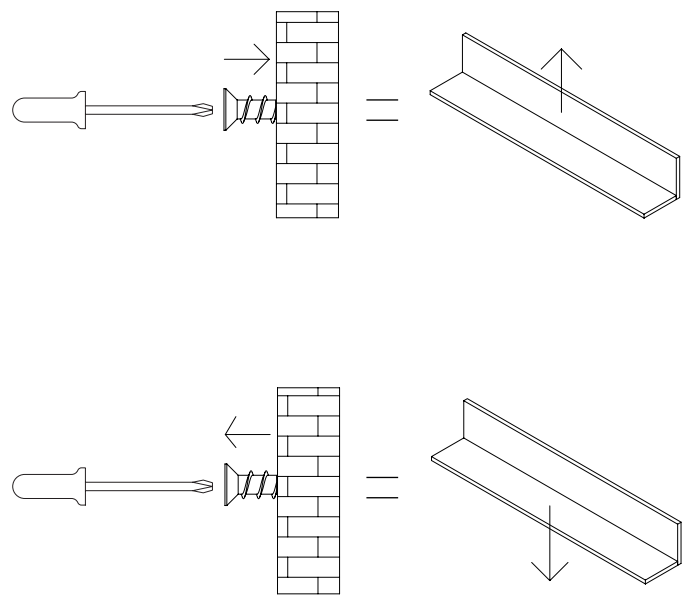
6

WALL SCREWS AND -PLUGS ARE NOT INCLUDED.
 USE HARDWARE, THAT ARE SUITABLE FOR YOUR WALL TYPE.
 THE SCREW MUST BE COUNTERSUNK AND WITH A HEAD DIAMETER OF 7-8MM.



7

MOUNT THE SHELF HANGERS ON THE WALL SCREWS



8

IF THE SHELF IS NOT LEVEL, ADJUST THE WALL SCREWS BY TURNING THE SCREW
 CLOSER OR FURTHER AWAY FROM THE WALL.