

LINOLEUM



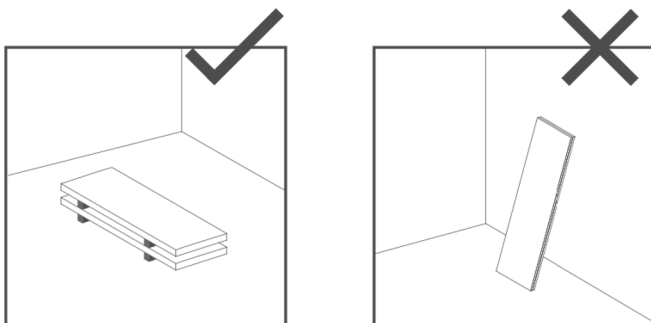
Introduction

Congratulations on your new countertop!

We recommend taking the time to read through this guide before commencing installation to ensure your countertop is fitted correctly. Before installing the countertop, ensure the kitchen cabinets are installed, securely fastened and level.

Upon receipt, all worktops must be stored in the original packaging on beams in a dry room at around 20°C / 68°F for 24 hours (and a maximum of five days) from the day the delivery arrived. This acclimates the countertop before instalment. Extreme temperatures or indoor climates like high humidity should be avoided..

Countertops must never be placed directly onto the floor, instead raise the countertop from the floor with battens as shown in the diagram below. Battens must also be used to separate multiple countertops stored together, also shown in the diagram below. Place 1 batten per 80 cm / 30" of the countertop length.



Pre-installation checks

Pre-installation checks must be done within 7 days after receipt of the countertop. Any claims must be made **before** installing the countertops.

Check the countertop and its packaging for any shipping damages. In the event of a damage, please photograph both packaging and countertop and forward them to our Customer Success team for reclamation (see contact details below).

Please double-check that the dimensions and colors correspond with the order. Allow for the tolerances in measurements:

- length = +/- 2mm / 5/64"
- depth = +/- 2mm / 5/64"
- thickness = +/- 1 mm / 3/64"

Take good care when opening the package as spare parts for assembly are included in the packaging.

Reporting claims

In the event of claims, please reach out to the Customer Success team responsible. Please add your order number, name and include any photo documentation to facilitate a swift service. Please find the contacts per country below:

Denmark & International:

+45 3274 7253
aftersalesdkint@reformcph.com

Germany, Austria, Switzerland, France, Belgium:

+49 30 75649820
customersuccessdach@reformcph.com

USA / North America:

+1 833 733 6769
customersuccessus@reformcph.com

LINOLEUM



Scribing the countertop

If you have ordered your linoleum countertop oversized to be able to adjust it to fit on site, you will need to transfer the shape of the wall onto the countertop (scribing) to fit an uneven wall.

We recommend consulting with a professional or having your installer/fitter do the scribing if you are not confident in taking on this task.

How to scribe a countertop

1. Place the countertop hard against the wall but keeping it parallel with the base units underneath.
2. Take a pencil and place it on the back edge of the countertop at the point where the largest gap is.
3. Before you draw the line on the top, stick a piece of masking tape along the length to ensure the pencil line is clearly visible.
4. It's best to use tool for wall scribing, however, also a small piece of wood may be used. Attach the pencil flat onto the wood with the top exceeding the bottom. For precise results, it is best to minimize the width of the piece of wood.
5. Place the backside of the wood vertically against the wall. Next, run the pencil along the countertop along the whole length which will transfer and draw the line of the wall on the top.
6. Using a jig-saw, cut along that line and discard the waste. Please make sure to use a new down cutting jigsaw blade, this will ensure that the surface does not chip out as the blade moves up thus leaving a cleaner finish.

Having followed this instruction, the shape of the wall is transferred onto the countertop, allowing a neat fit and installation.

LINOLEUM



Mounting a linear countertop

If the countertop's depth is equal to the cabinets' depth, the countertop can be placed directly on the run of the cabinets. If it's deeper and covering a void between cabinets and wall, support beams must be mounted onto the wall positioned at the same height as the cabinets to allow for the countertop to rest on and be fastened to these.

Fix the top to the kitchen elements by drilling holes in the top panel placed in the front of the cabinet and inserting the accompanying wood screws. We recommend one screw on the front and back edge every 60cm / 24".

In the back of the cabinet or if you have installed the top panel as a vertical stiffener, we recommend angle brackets. For screws, take care that the screws are short enough to not puncture the countertop and become visible from the outside. The length of screws depend on the whether you install the countertop through the top panel, an angle bracket and on the thickness of the countertop.

If an appliance is at the end of a run of cabinets, additional support is needed. If the appliance is next to a side panel of a base cabinet size, it is recommended to fix the side panel to both floor and wall and to mount a horizontal panel from side panel to cabinet. This panel can for example be made of wood and should always be fastened to both side panel and cabinet.

If the countertop is meeting either a wall or a high cabinet, we recommend installing angle brackets to either wall or cabinet and rest the countertop on to these (apply silicone before laying down the top).

After the countertop has been put into place, we recommend to close the gaps between top and wall / high cabinets with silicone to prevent liquids from entering.

The back edge needs to be sealed with silicone. This is to prevent any swelling of the top from water ingress as you wash or wipe down.

Mounting a corner countertop

If your countertop turns around a corner and includes an assembly, please make sure to first fasten the countertop pieces together by using the connecting bolts before fixing them with screws onto the cabinets.

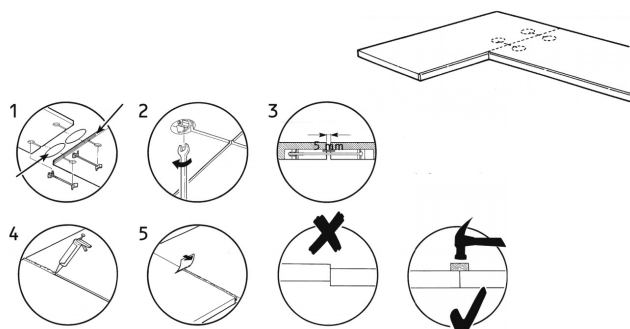
If there are areas such as those in corner solutions, for example, where the cabinets cannot provide support, make sure that you screw support strips to the wall to stabilize the countertop. Also make sure that any joints are supported over the entire length of the joint

The assembly bolts are placed in the pre-drilled grooves, which are placed underneath the two pieces that are joined together.

Tighten bolts almost all the way, leaving only a distance of 3-5 mm / 2/16" between the two countertop pieces.

Apply the glue/sealant into the joint and tighten the bolts while making sure the surfaces of the two countertops align completely. See the illustration below.

Remove any excess sealant, working your way from the back edge of the countertop to the front. To ensure all excess sealant has been removed, wipe the surface with soapy water for a clean finish.



LINOLEUM



Fitting a sink

In case your countertop doesn't already include a fitted sink from our production, you will need to make a cutout on-site. We recommend to refer to an experienced fitter.

Below is a list of steps on how to prepare the cutout for a top-mounted sink:

1. Cut a hole in the top of the cabinet so the sink can fit into it.
2. Place the sink upside down on top of the countertop. Make sure it is placed min. 6 cm / 2 7/16" from the front edge of the top.
3. Draw the outline of the sink.
4. Subtract min. 1 cm / 6/16" from the outline of the sink, making the cut area min. 2 cm / 3/4" smaller in width and depth than the sink
5. Drill 4 holes, 1 in each corner of the cut out and cut the hole for the sink with a jigsaw or circular saw. Make sure to know which way the saw teeth are pulling and place your countertop accordingly to avoid chipping of the surface.
6. Apply silicone sealant to the cut edges to ensure these are sealed.
7. Apply silicone between the sink edge and countertop before tightening the sink clamps underneath.
8. Remove any excess sealant and wipe the surface with soapy water for a clean finish.

Please note that sinks can also be flush-mounted, however, we advise to have this done by a professional who is familiar with the countertop and the type of mounting as precise milling cuts need to be made. We provide these installation types as they require high precision work. Sinks cannot be undermounted.

We always recommend the hole for the tap/faucet to be part of the sink to prevent water from penetrating the cutout and leaving damages.

Pipe holes

For pipes, cut a hole with a hole saw. Make sure to make the cut 3-5 mm / 2/16-3/16" larger than the pipe diameter to allow for expansion / contraction around the pipes. The gap can be filled with silicone sealant.

Cut the hole and make a triangular cut to remove the back piece behind the pipe. This allows you to slide the countertop in place around the pipes. Keep the cut off triangle piece and place it behind the pipes.

Fitting a hob

If you are adding a hob to your countertop, make sure to follow the steps below. For some hobs you will have to make a cut in the sides of the cabinet to fit it. For the dimensions of this cut, check the hob installation guide. Make sure not to place the hob next to an under-counter appliance if this is the case.

How to fit a top-mounted hob:

1. Find the cutout measurements for your hob in the hob installation guide. Make sure it is placed min. 6cm / 2 7/16" from the front edge of the countertop.
2. Draw the outline of the hob cut out on the countertop.
3. Drill four holes, one in each corner of the cutout and cut the hole for the hob with a jigsaw or circular saw. Ensure to know which way the saw teeth are pulling and place the saw accordingly to avoid chipping of the countertop surface.
4. Apply silicone sealant to the cut edges to ensure these are sealed
5. Add the sealant strip (that comes with the hob).
6. Check the hob installation guide for the following steps of the installation.

Dishwashers & washing machines

Remember to place a moisture barrier when installing a dishwasher / washing machine or any other appliance requiring one. A moisture barrier will be delivered with your appliance, should it require one. Place it on the bottom of the countertop above the appliance as instructed in the appliance installation guide.

LINOLEUM



Care & Maintenance

Regular Cleaning

Taking good care of your linoleum countertop will maintain its resilience and resistance to wear and impact. Regular cleaning should always be done with a clean cloth. Soak it in lukewarm water, wring and gently clean the linoleum. Optionally, a pH-neutral detergent can be used.

Deep Cleaning

For occasional deep cleaning, a 5% solution of a pH-neutral detergent mixed in water is recommended. We advise on the following steps:

1. Apply the solution onto the fronts and allow soaking for 10 minutes.
2. Scrub the surface gently with a soft scrub brush.
3. Wipe off the residue and rinse with clean water and allow the surface to dry.
4. Apply a thin maintenance film of undiluted Forbo Monel Linoleum Care.
5. Buff vigorously with a new, clean cotton pad/rag.

Linoleum Soap

We recommend a deep cleanse 3-4 times a year, with the Guardian Linoleum Soap. It's a cleanser specially developed to both clean and protect linoleum surfaces. As a natural product, linoleum requires thorough and regular care to maintain its natural properties.

Apply the Guardian Linoleum Soap to the entire surface with a soft lint-free cloth in an even thin layer and let it soak for about 5 minutes. Rather than doing is recommended that entire surfaces are always treated. Then wash the surface in circular motions with a soft, lint-free cloth wrung in clean water to create a light foam. Follow by wiping with a soft, lint-free cloth, hard-wrung in clean water and allow the surface to dry.

Guardian advises to shake the product before use and always test the product on a non-visible spot before use.

Wooden edges

To maintain the wooden edges, clean them with warm water and apply natural wood oil or beeswax from time to time (along with deep cleaning).

Preventive Measures

We always recommend using trivets for hot pots, pans, trays and similar as linoleum is only limited heat-resistant. Hot items can leave burn marks and dents in the surface. Also, trivets are for flowerpots, vases and similar items, and make sure to clean the surface below them regularly. Let the surface dry before you place the items back.

Be mindful to always remove liquids after spillage to avoid stains from forming. Especially coffee, wine, beet root, spices and acidic products may leave stains if not removed.

A linoleum countertop should never be treated with products containing abrasive substances, macro abrasive sponges or unsuitable materials such as sandpaper or steel wool. Strongly acidic or alkaline products should be avoided because they can stain the surface.

Bleach, heavily-chlorinated products and peroxides should be avoided as they can degrade the surface.

Refrain from using furniture polishes or wax-based cleaners in general, as these tend to form a sticky layer on the linoleum that attracts and traps dirt.

Do not use metal scrapers, iron brushes or any other metal tool to remove stains, paint, plaster or other substances from the surface.

Do not cover the countertop by foil over longer periods of time.