

# HIGH-DENSITY POLYETHYLENE (HDPE)



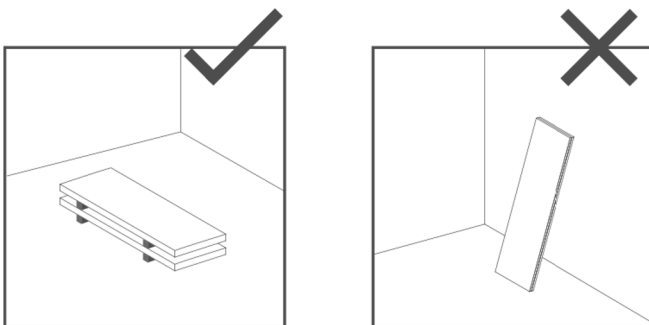
## Introduction

Congratulations on your new countertop!

We recommend taking the time to read through this guide before commencing installation to ensure your countertop is fitted correctly. Before installing the countertop, ensure the kitchen cabinets are installed, securely fastened and level.

Installation should be carried out as soon as possible after delivery. However, if storage is necessary, it must be laid flat and fully supported in their original packaging. Please make sure the storage area is indoors with stable humidity and will not be subject to extremes of temperature. Ideally, the environment is like the one of the space it will be installed in.

Countertops must never be placed directly onto the floor, instead raise the countertop from the floor with battens as shown in the diagram below. Battens must also be used to separate multiple countertops stored together, also shown in the diagram below. Place 1 batten per 80 cm / 30" of the countertop length.



## Pre-installation checks

Pre-installation checks must be done within 7 days after receipt of the countertop. Any claims must be made before installing the countertops.

Check the countertop and its packaging for any shipping damages. In the event of a damage, please photograph both packaging and countertop and forward them to our Customer Success team for reclamation (see contact details below).

Please double-check that the dimensions and colors correspond with the order. Allow for the tolerances in measurements:

- length = +/- 2mm / 5/64"
- depth = +/- 2mm / 5/64"
- thickness = +/- 0.5 mm / 1/64"

Take good care when opening the package as spare parts for assembly are included in the packaging.

Please note that slight traces from the production process can be seen in the form of slight scratches or small black dots. These are more visible on the backside yet may be seen on the upper side as well. The sides are marked on the countertop for you to evaluate correct. In doubt, please feel free to reach out to our Customer Success team.

## Reporting claims

In the event of claims, please reach out to the Customer Success team responsible. Please add your order number, name and include any photo documentation to facilitate a swift service. Please find the contacts per country below:

### Denmark & International:

+45 3274 7253  
aftersalesdkint@reformcph.com

### Germany, Austria, Switzerland, France, Belgium:

+49 30 75649820  
customersuccessdach@reformcph.com

### USA / North America:

+1 833 733 6769  
customersuccessus@reformcph.com

# HIGH-DENSITY POLYETHYLENE (HDPE)



## Scribing the countertop

---

If you have ordered your HDPE countertop oversized to be able to adjust it to fit on site, you will need to transfer the shape of the wall onto the countertop (scribing) to fit an uneven wall.

We recommend consulting with a professional or having your installer/fitter do the scribing if you are not confident in taking on this task.

## How to scribe a countertop

---

1. Place the countertop hard against the wall but keeping it parallel with the base units underneath.
2. Take a pencil and place it on the back edge of the countertop at the point where the largest gap is.
3. Before you draw the line on the top, stick a piece of masking tape along the length to ensure the pencil line is clearly visible.
4. It's best to use tool for wall scribing, however, also a small piece of wood may be used. Attach the pencil flat onto the wood with the top exceeding the bottom. For precise results, it is best to minimize the width of the piece of wood.
5. Place the backside of the wood vertically against the wall. Next, run the pencil along the countertop along the whole length which will transfer and draw the line of the wall on the top.
6. Using a jig-saw, cut along that line and discard the waste. Please make sure to use a new down cutting jigsaw blade, this will ensure that the surface does not chip out as the blade moves up thus leaving a cleaner finish. Go slow, as too fast friction and movement can cause the material to melt.

Having followed this instruction, the shape of the wall is transferred onto the countertop, allowing a neat fit and installation.

# HIGH-DENSITY POLYETHYLENE (HDPE)



## Mounting a linear countertop

If the countertop's depth is equal to the cabinets' depth, the countertop can be placed directly on the run of the cabinets. If it's deeper and covering a void between cabinets and wall, support beams must be mounted onto the wall positioned at the same height as the cabinets to allow for the countertop to rest on and be fastened to these.

Fix the top to the kitchen elements by drilling holes in the top panel placed in the front of the cabinet and inserting the accompanying wood screws. We recommend one screw on the front and back edge every 60cm / 24".

In the back of the cabinet or if you have installed the top panel as a vertical stiffener, we recommend angle brackets. For screws, take care that the screws are short enough to not puncture the countertop and become visible from the outside. The length of screws depend on the whether you install the countertop through the top panel, an angle bracket and on the thickness of the countertop.

If an appliance is at the end of a run of cabinets, additional support is needed. If the appliance is next to a side panel of a base cabinet size, it is recommended to fix the side panel to both floor and wall and to mount a horizontal panel from side panel to cabinet. This panel can for example be made of wood and should always be fastened to both side panel and cabinet.

If the countertop is meeting either a wall or a high cabinet, we recommend installing angle brackets to either wall or cabinet and rest the countertop on to these (apply silicone before laying down the top).

After the countertop has been put into place, we recommend to close the gaps between top and wall / high cabinets with silicone to prevent liquids from entering.

The back edge needs to be sealed with silicone. This is to prevent any swelling of the top from water ingress as you wash or wipe down.

## Mounting a corner countertop

If your countertop turns around a corner and includes an assembly, please make sure to first fasten the countertop pieces together by using the connecting bolts before fixing them with screws onto the cabinets.

If there are areas such as those in corner solutions, for example, where the cabinets cannot provide support, make sure that you screw support strips to the wall to stabilize the countertop. Also make sure that any joints are supported over the entire length of the joint.

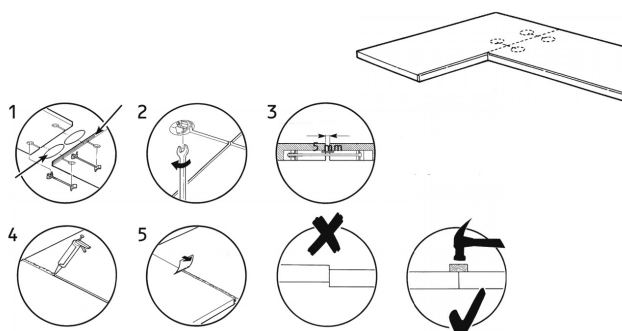
The assembly bolts are placed in the pre-drilled grooves, which are placed underneath the two pieces that are joined together. Tighten bolts almost all the way, leaving only a distance of 3-5 mm / 2/16 - 3/16" between the two countertop pieces.

Apply the glue/sealant into the joint and tighten the bolts while making sure the surfaces of the two countertops align completely. See the illustration below.

Remove any excess sealant, working your way from the back edge of the countertop to the front. To ensure all excess sealant has been removed, wipe the surface with soapy water for a clean finish.

### White HDPE countertops

For white countertops, we do not plan the corner assembly shown below, as it might shine through the surface and be visible from the outside. In that case, mount both pieces as tight as possible and fasten each by screw. Fill the joints with silicone.



# HIGH-DENSITY POLYETHYLENE (HDPE)



## Fitting a sink

In case your countertop doesn't already include a fitted sink from our production, you will need to make a cutout on-site. We recommend to refer to an experienced fitter.

Below is a list of steps on how to prepare the cutout for a top-mounted sink:

1. Cut a hole in the top of the cabinet so the sink can fit into it.
2. Place the sink upside down on top of the countertop. Make sure it is placed min. 6 cm / 2 7/16" from the front edge of the top.
3. Draw the outline of the sink.
4. Subtract min. 1 cm / 6/16" from the outline of the sink, making the cut area min. 2 cm / 3/4" smaller in width and depth than the sink
5. Drill four holes, 1 in each corner of the cut out and cut the hole for the sink with a jigsaw or circular saw. Make sure to know which way the saw teeth are pulling and place your countertop accordingly to avoid chipping of the surface. Go slow to prevent the HDPE from melting.
6. Apply silicone sealant to the cut edges to ensure these are sealed.
7. Apply silicone between the sink edge and countertop before tightening the sink clamps underneath.
8. Remove any excess sealant and wipe the surface with soapy water for a clean finish.

Please note that sinks can also be flush-mounted, however, we advise to have this done by a professional who is familiar with the countertop and the type of mounting as precise milling cuts need to be made. We provide these installation types as they require high precision work. Sinks cannot be undermounted.

We always recommend the hole for the tap/faucet to be part of the sink to prevent water from penetrating the cutout and leaving damages.

## Pipe holes

For pipes, cut a hole with a hole saw. Make sure to make the cut 3-5 mm / 2/16-3/16" larger than the pipe diameter to allow for expansion / contraction around the pipes. The gap can be filled with silicone sealant.

Cut the hole and make a triangular cut to remove the back piece behind the pipe. This allows you to slide the countertop in place around the pipes. Keep the cut off triangle piece and place it behind the pipes.

# Reform

## Fitting a hob

If you are adding a hob to your countertop, make sure to follow the steps below. For some hobs you will have to make a cut in the sides of the cabinet to fit it. For the dimensions of this cut, check the hob installation guide. Make sure not to place the hob next to an under-counter appliance if this is the case.

How to fit a top-mounted hob:

1. Find the cutout measurements for your hob in the hob installation guide. Make sure it is placed min. 6 cm / 2 7/16" from the front edge of the countertop.
2. Draw the outline of the hob cut out on the countertop.
3. Drill four holes, one in each corner of the cutout and cut the hole for the hob with a jigsaw or circular saw. Ensure to know which way the saw teeth are pulling and place the saw accordingly to avoid chipping of the countertop surface. Go slow to prevent the HDPE from melting.
4. Apply silicone sealant to the cut edges to ensure these are sealed.
5. Add the sealant strip (that comes with the hob).
6. Check the hob installation guide for the following steps of the installation.

## Dishwashers & washing machines

Remember to place a moisture barrier when installing a dishwasher / washing machine or any other appliance requiring one. A moisture barrier will be delivered with your appliance, should it require one. Place it on the bottom of the countertop above the appliance as instructed in the appliance installation guide.

# HIGH-DENSITY POLYETHYLENE (HDPE)



## Care & Maintenance

---

HDPE is a resilient surface that is easy to maintain. For regular and deep cleaning, we recommend wiping it with a clean cloth wrung in lukewarm water. Any regular household detergent or mild disinfectant can be used. Dry off after cleaning to prevent water stains.

## Preventive Measures

---

We always recommend using trivets for hot pots, pans, trays and similar as HDPE is not heat-resistant. Hot items can melt the material and cause deformation.

You can use the countertop as a working surface when cutting vegetables or baking as the material is commonly used for cutting boards in industrial kitchens. However, please note that this will lead to a patina of stains and scratches that are irreversible. If you do not prefer this look, always use cutting boards and wipe the surface after spillage of liquids such as from coffee, fruit juices, acids, etc.

An HDPE countertop should never be treated with products containing abrasive substances, macro abrasive sponges or unsuitable materials such as sandpaper or steel wool. Strongly acidic or alkaline products should be avoided because they can stain the surface.

Bleach, heavily-chlorinated products and peroxides should be avoided as they can degrade the surface.

Refrain from using furniture polishes or wax-based cleaners in general, as these tend to form a sticky layer on the linoleum that attracts and traps dirt.

Do not use metal scrapers, iron brushes or any other metal tool to remove stains, paint, plaster or other substances from the surface.