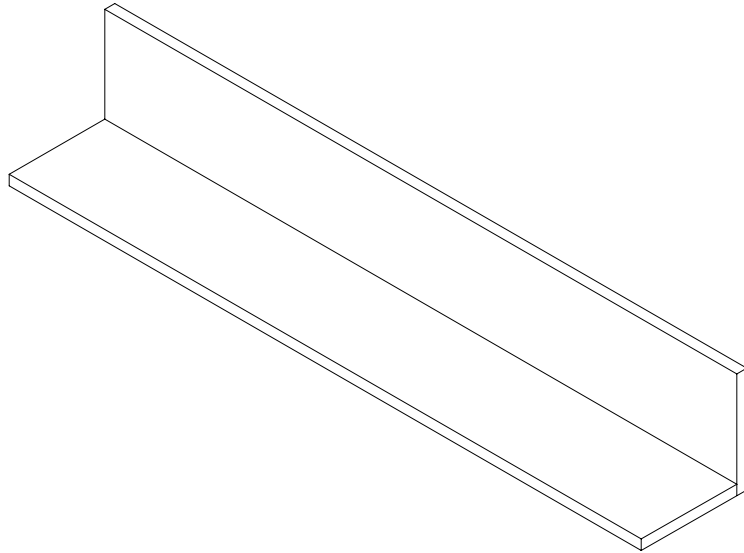
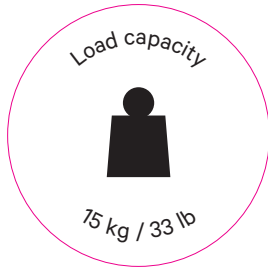


PRODUCT ASSEMBLY GUIDE

PROFILE SHELVES



**English**

Important information.

Read carefully. Follow each step of the instruction carefully.
Keep this information for further reference.

WARNING

Serious or fatal crushing injuries can occur from furniture tip-over. To prevent this furniture from tipping over it must be permanently fixed to the wall with the included wall attachment devices.

Fastening devices for the wall are not included since different wall materials require different types of fastening devices. Use fastening devices suitable for the walls in your home. For advice on suitable fastening devices, contact your local specialized dealer.

Español

Información importante.

Lea con atención. Siga cuidadosamente cada paso de las instrucciones.
Guarde esta información para referencias futuras.

ADVERTENCIA

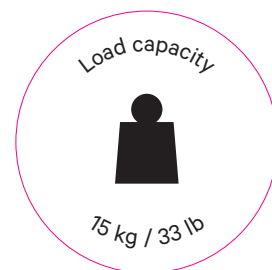
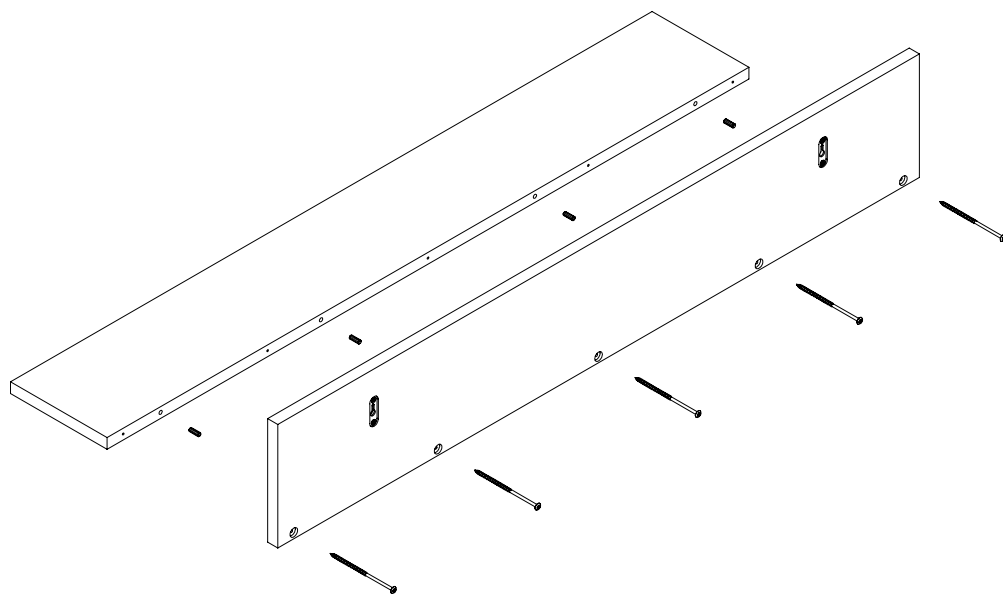
Pueden ocurrir lesiones graves o fatales por aplastamiento debido a la caída de muebles. Para evitar que el mueble se voltee, debe ser fijado permanentemente a la pared con los dispositivos de sujeción para la pared.

Los dispositivos de fijación para la pared no están incluidos, ya que los diferentes materiales de pared requieren tipos distintos de dispositivos de fijación. Utilice dispositivos de fijación adecuados para las paredes de su hogar. Para obtener asesoramiento sobre los dispositivos de fijación adecuados, contacte con su instalador autorizado.

PROFILE SHELVES

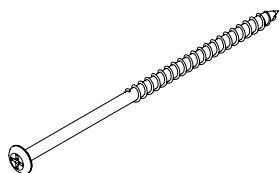
We've created this guide to help you assemble your new PROFILE shelves in a quick, simple, and uncomplicated way.

Please note that the assembly should be carried out by qualified individuals. Follow the steps outlined in the following pages to install your shelves. We recommend assembling the product on a carpet or a similar surface that provides shock-absorption and a firm footing.

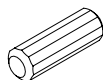


HARDWARE (INCLUDED IN THE PACKAGE)

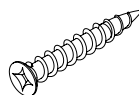
(NOT INCLUDED)



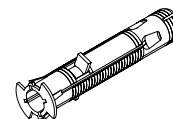
3-5x WOOD SCREW



4x WOODEN DOWEL

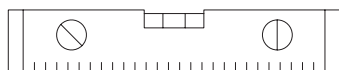


2x WALL SCREW



2x WALL PLUG

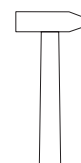
TOOLS AND EQUIPMENT YOU MIGHT NEED



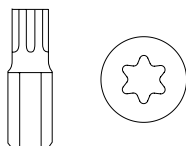
SPIRIT LEVEL



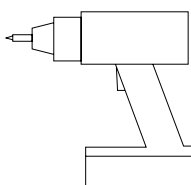
MEASURING TAPE



HAMMER



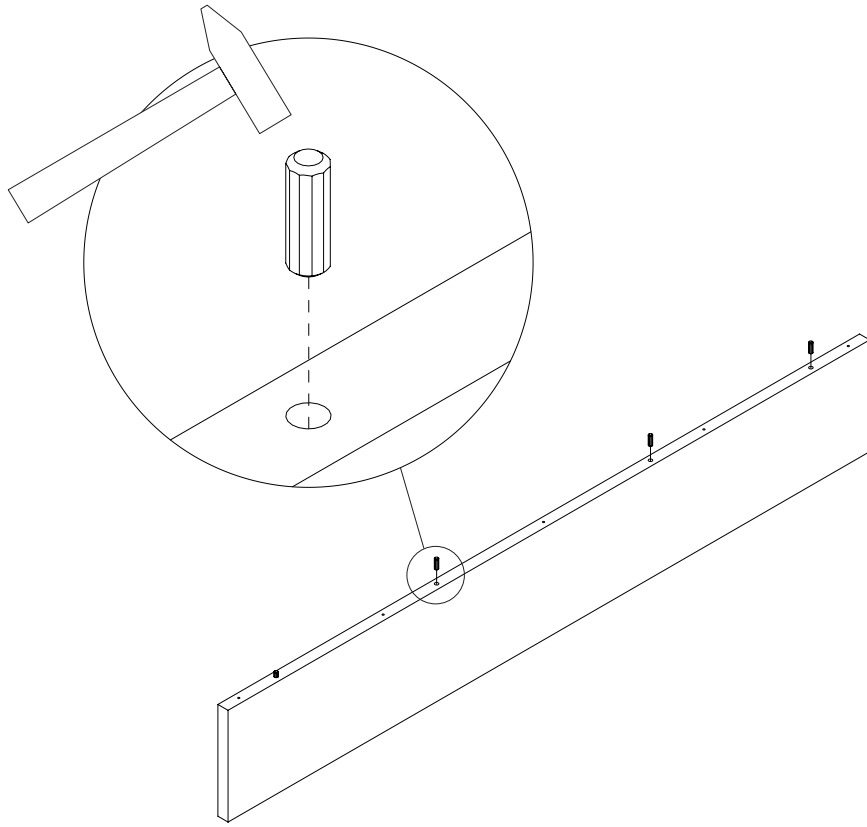
TORX T40 BIT



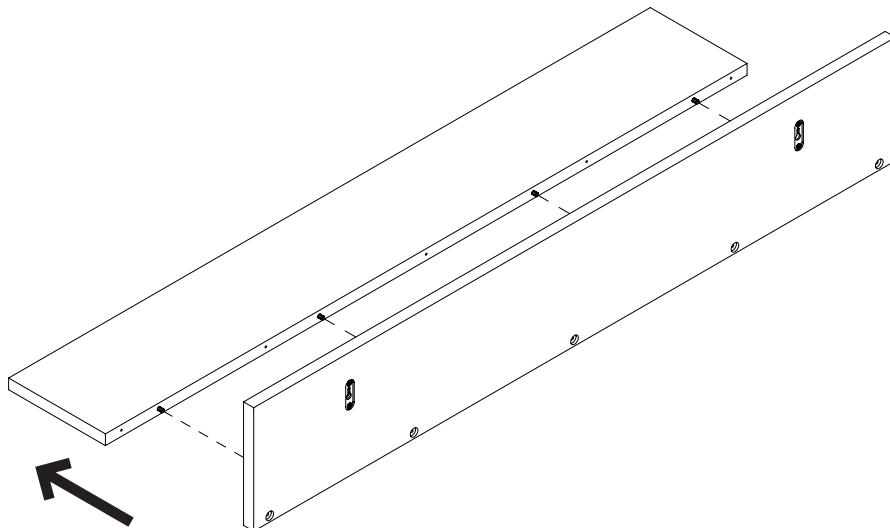
ELECTRIC SCREWDRIVER



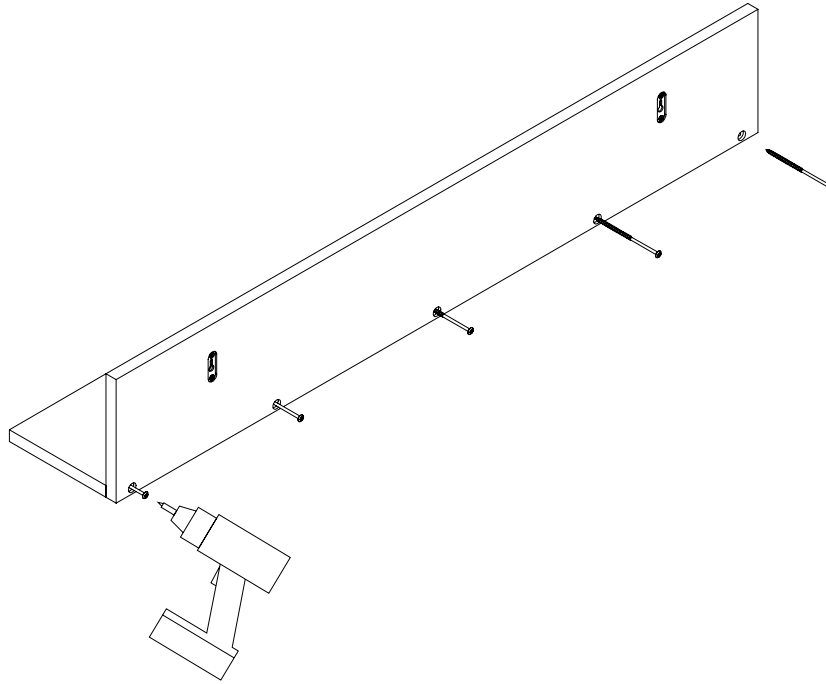
SOCKET WRENCH



1
Insert the wooden dowels.

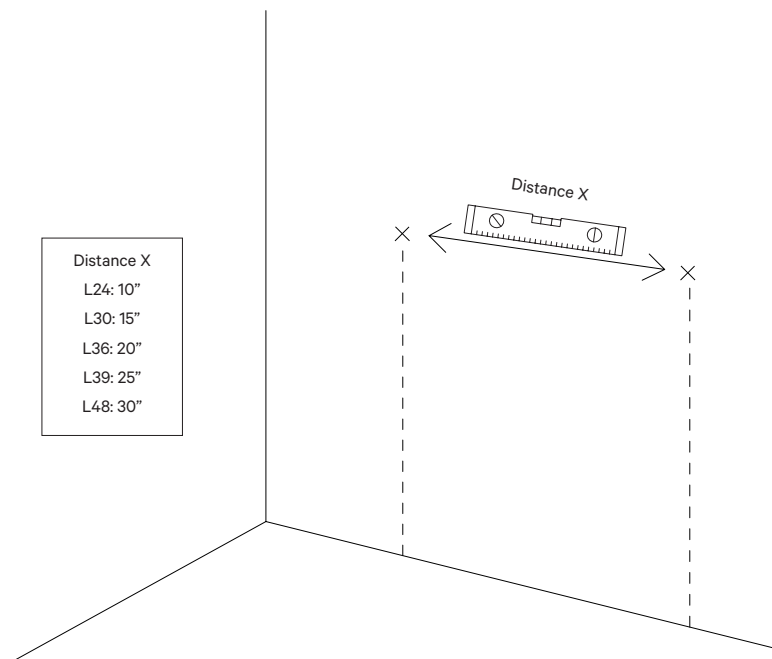


2
Push the panels together.



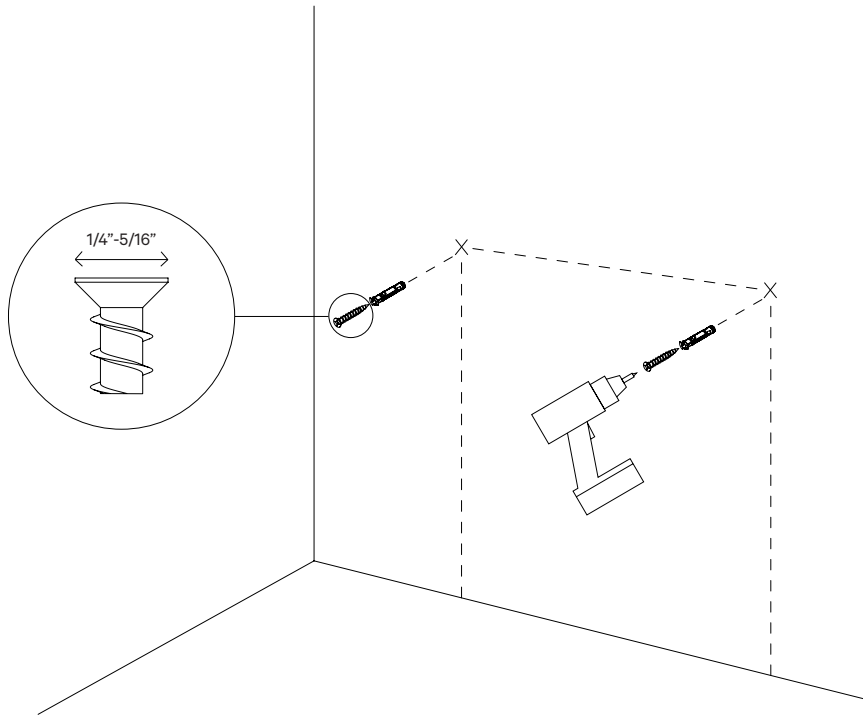
3

Fasten the long screws little by little. Use a strong electric screwdriver or a socket wrench.



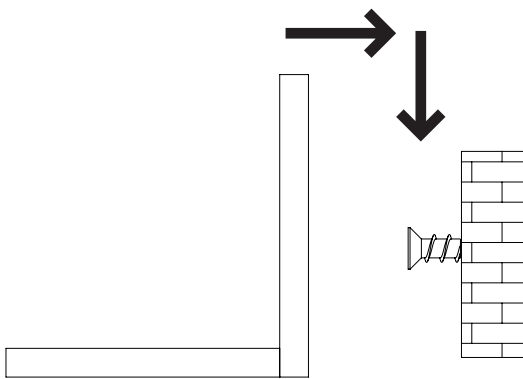
4

Mark and drill two holes at your desired height. The distance between the holes is depending on your shelf size. See schematic above.



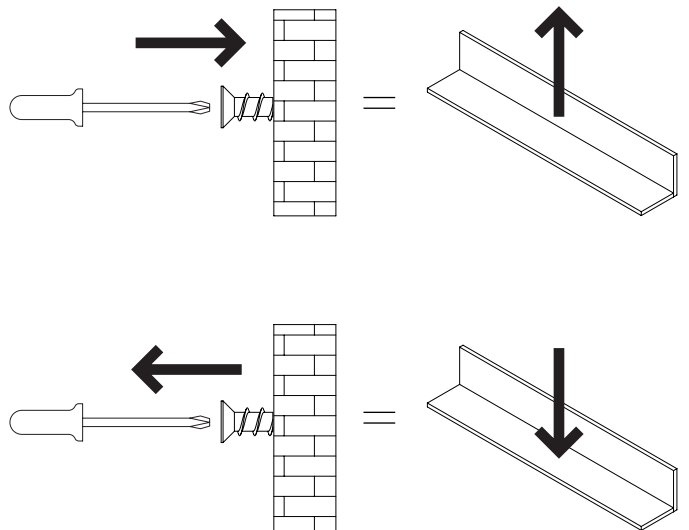
5

Wall screws and -plugs are not included. Use hardware, that is suitable for your wall type.
The screw must be countersunk and with a head diameter of 1/4"-5/16".



6

Mount the shelf hangers on the wall screws.



7

If the shelf is not level, adjust the wall screws by turning the screw closer or further away from the wall.