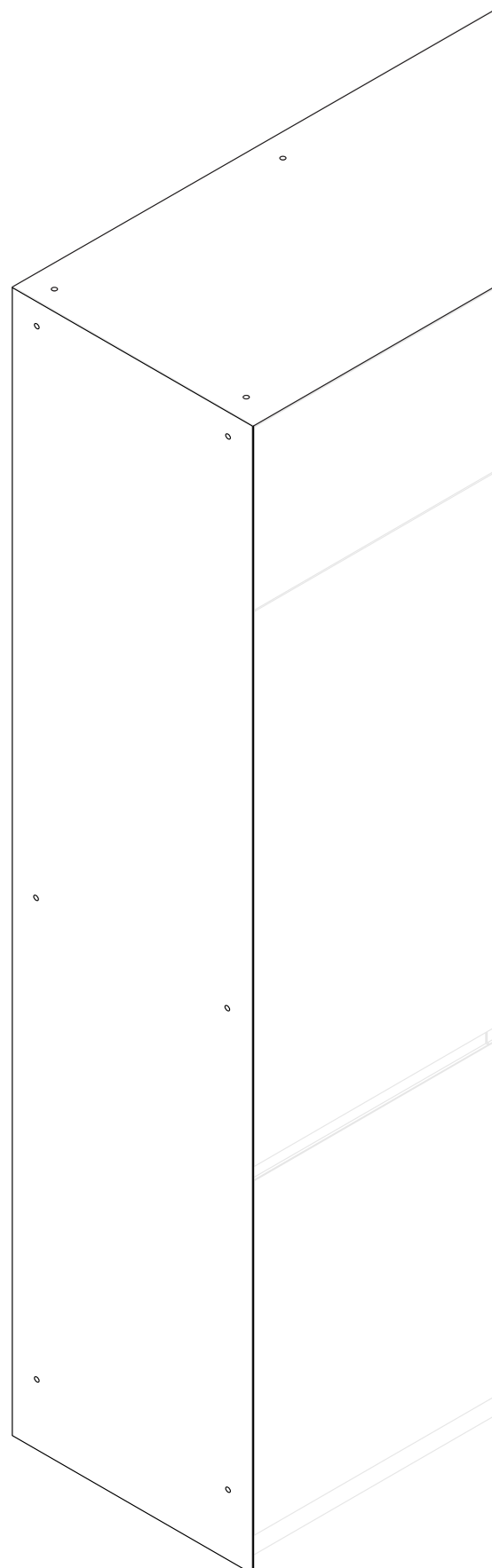
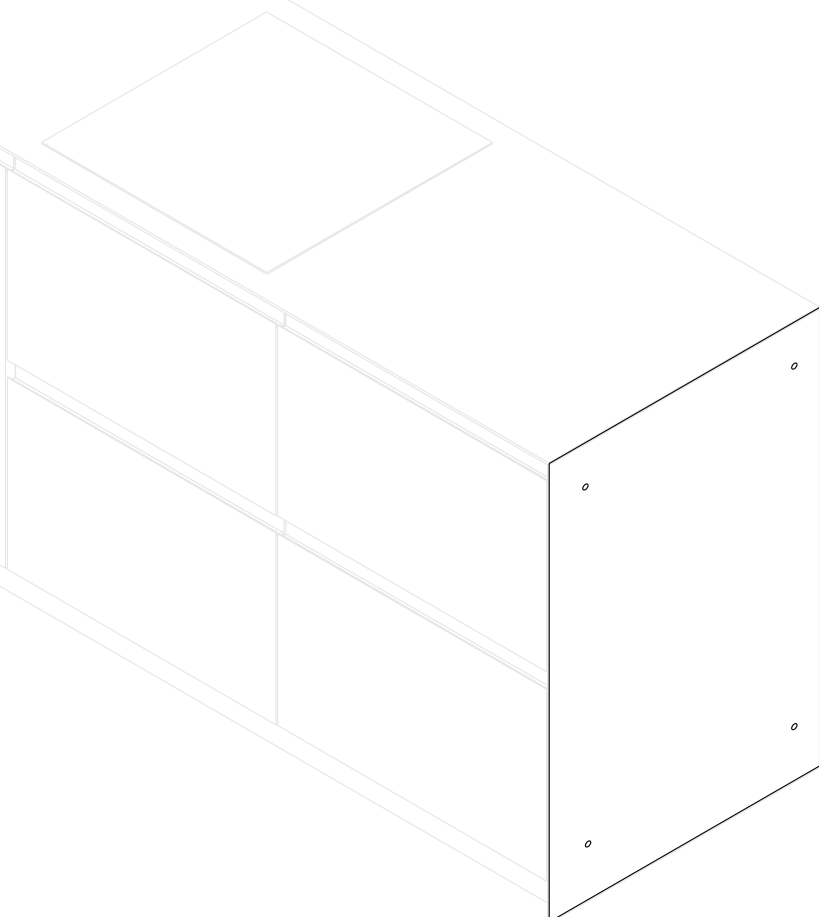
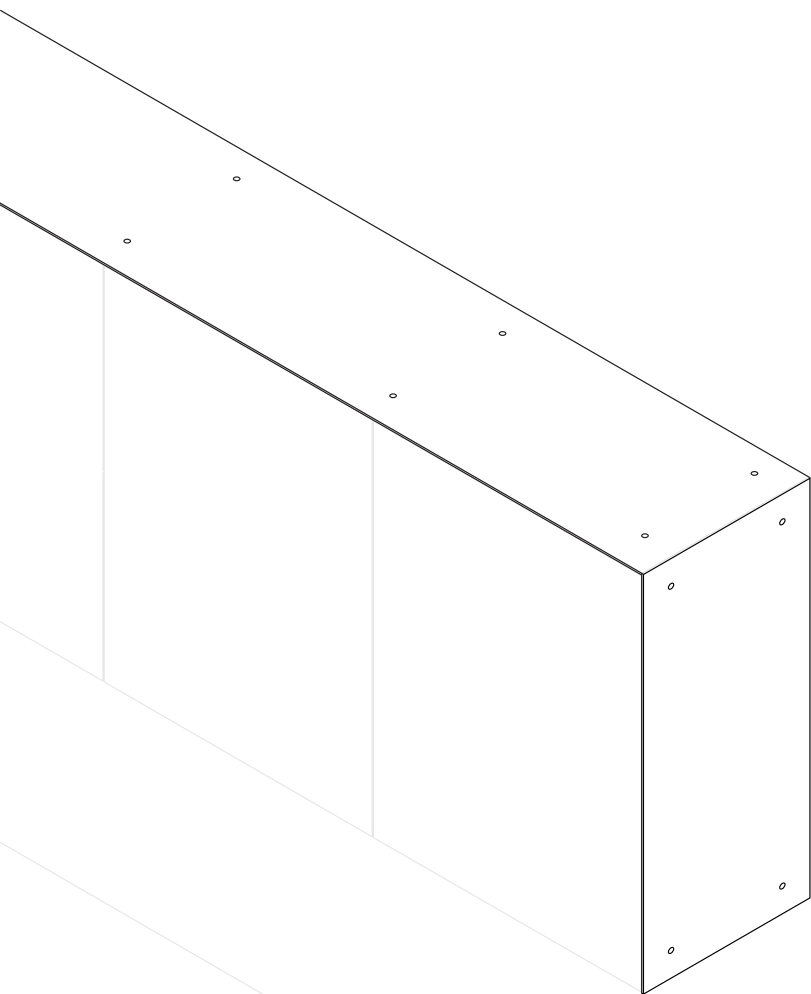


INSTALLATION GUIDE

PLATE COVER PANEL FASTENING



**English**

Important information.
Read carefully. Follow each step of the instruction carefully.
Keep this information for further reference.

WARNING

Serious or fatal crushing injuries can occur from furniture tip-over. To prevent this furniture from tipping over it must be permanently fixed to the wall with the included wall attachment devices.

Fastening devices for the wall are not included since different wall materials require different types of fastening devices. Use fastening devices suitable for the walls in your home. For advice on suitable fastening devices, contact your local specialized dealer.

Dansk

Vigtige oplysninger.
Læs omhyggeligt. Følg de enkelte trin i anvisningerne omhyggeligt. Gem disse oplysninger til senere brug.

ADVARSEL!

Der kan opstå alvorlig eller livsfarlig tilskadekomst, hvis møblet vælter. For at undgå, at møblet vælter, skal det fastgøres permanent til væggen med de medfølgende vægbeslag.

Forskellige vægmateriale kræver forskellige skruer og rawplugs. Medfølger ikke. Brug skruer og rawplugs, der passer til væggene i dit hjem. Hvis du er i tvivl om, hvilken type skruer/rawplugs du skal bruge, skal du kontakte et byggemarked.

Deutsch

Wichtige information.
Sorgfältig lesen. Jeden Schritt der Anleitung sorgfältig befolgen.
Diese Information aufbewahren.

ACHTUNG

Wenn Möbelstücke umkippen, können ernste oder lebensgefährliche Verletzungen durch Einklemmen die Folge sein. Um zu verhindern, dass dieses Möbelstück umkippt, muss es mit der beigegepackten Vorrichtung zur Wandbefestigung fest an der Wand verankert werden.

Beschläge für die Wandbefestigung sind nicht beigegepackt, da sie von der Beschaffenheit der Wand und des Untergrundmaterials abhängig sind. Befestigungsbeschläge benutzen, die für die heimischen Wände geeignet sind. Bei diesbezüglichen Fragen den.

Français

Information importante.
Lire attentivement. Suivre soigneusement chacune des étapes de ces instructions. Conserver ces instructions pour une utilisation ultérieure.

ATTENTION

Risque de blessure grave ou mortelle en cas de basculement du meuble. Pour éviter que le meuble ne bascule, il faut le fixer au mur de façon permanente à l'aide des pièces pour fixation incluses.

Les vis ne sont pas incluses car leur choix dépend du matériau du mur sur lequel est fixé le meuble. Utilisez des vis adaptées au matériau du mur. Pour obtenir des conseils sur les vis à utiliser, adressez-vous à un vendeur spécialisé.

INDEX

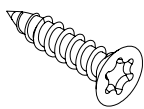
- 4 SIDE PANEL FASTENING
- 5 TOP- & BOTTOM PANEL FASTENING
- 6 BACK PANEL FASTENING

INTRODUCTION

We've created this guide to help you install your PLATE cover panels. Note that this guide should be used as an addition to the 'General installation guide'. Follow the easy-to-follow instructions for each cover panel scenario that applies for your kitchen layout.

Please note that the installation should be carried out by qualified individuals. Follow the recommendations for an uncomplicated installation.

INCLUDED IN THE PACKAGE (SKU: UNI-P-ACC03-MIS013)

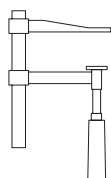


TORX T20 SCREW

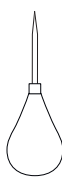


COVER CAP STICKER

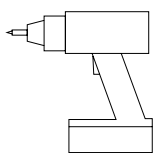
TOOLS AND EQUIPMENT YOU MIGHT NEED



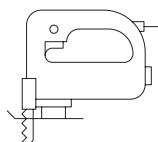
G CLAMPS



CENTER PUNCH



ELECTRIC SCREWDRIVER



JIGSAW

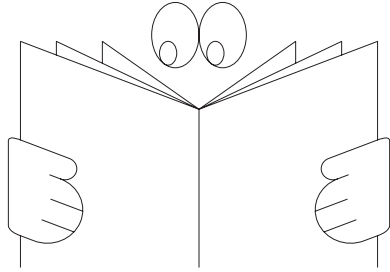


MEASURING TAPE



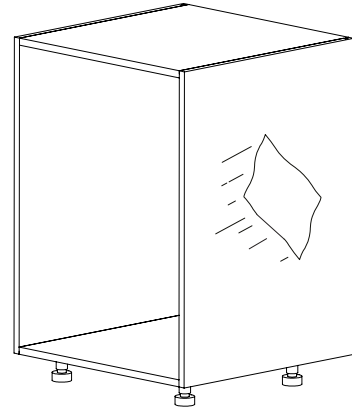
SPIRIT LEVEL

SIDE PANEL FASTENING



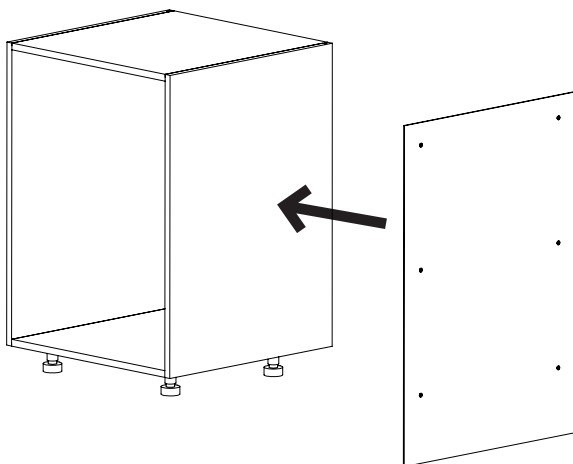
1

Follow the section about cover panels in the General installation guide "XXB-D-CAB99-DOC001".



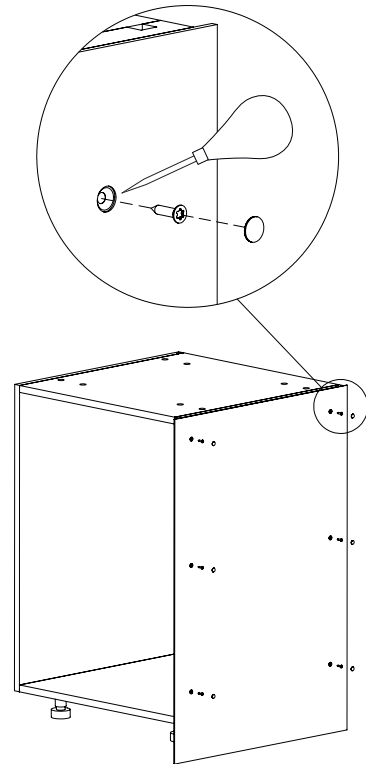
2

Clean the cabinet surface using rubbing alcohol. The surface must be perfectly clean for the adhesive to bond sufficiently.



3

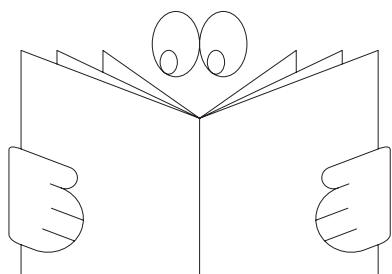
Remove the foil and place the side panel. Apply evenly distributed pressure for around 120 seconds using G clamps to hold the panel in place.



4

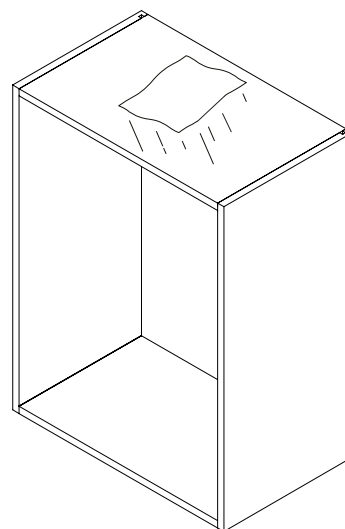
Prepare the holes using a center punch. Fasten the screws and apply the cover sticker.

TOP- & BOTTOM PANEL FASTENING



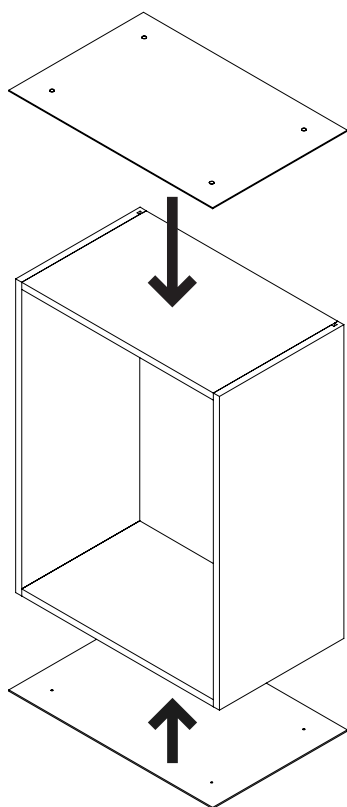
1

Follow the section about cover panels in the General installation guide "XXB-D-CAB99-DOC001".



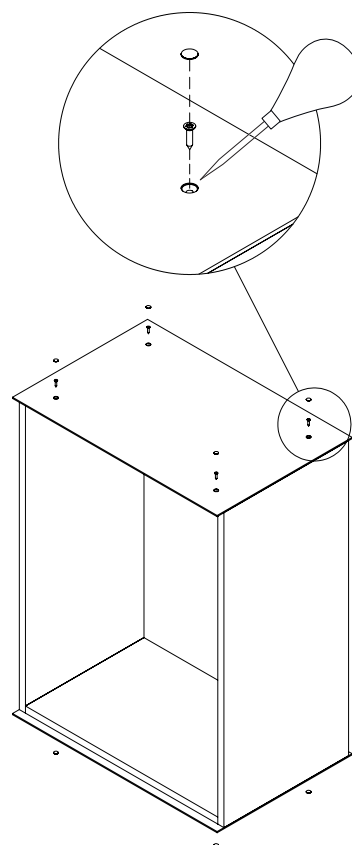
2

Clean the cabinet surface using rubbing alcohol. The surface must be perfectly clean for the adhesive to bond sufficiently.



3

Remove the foil and place the side panel. Apply evenly distributed pressure for around 120 seconds using G clamps to hold the panel in place.



4

Prepare the holes using a center punch. Fasten the screws and apply the cover sticker.

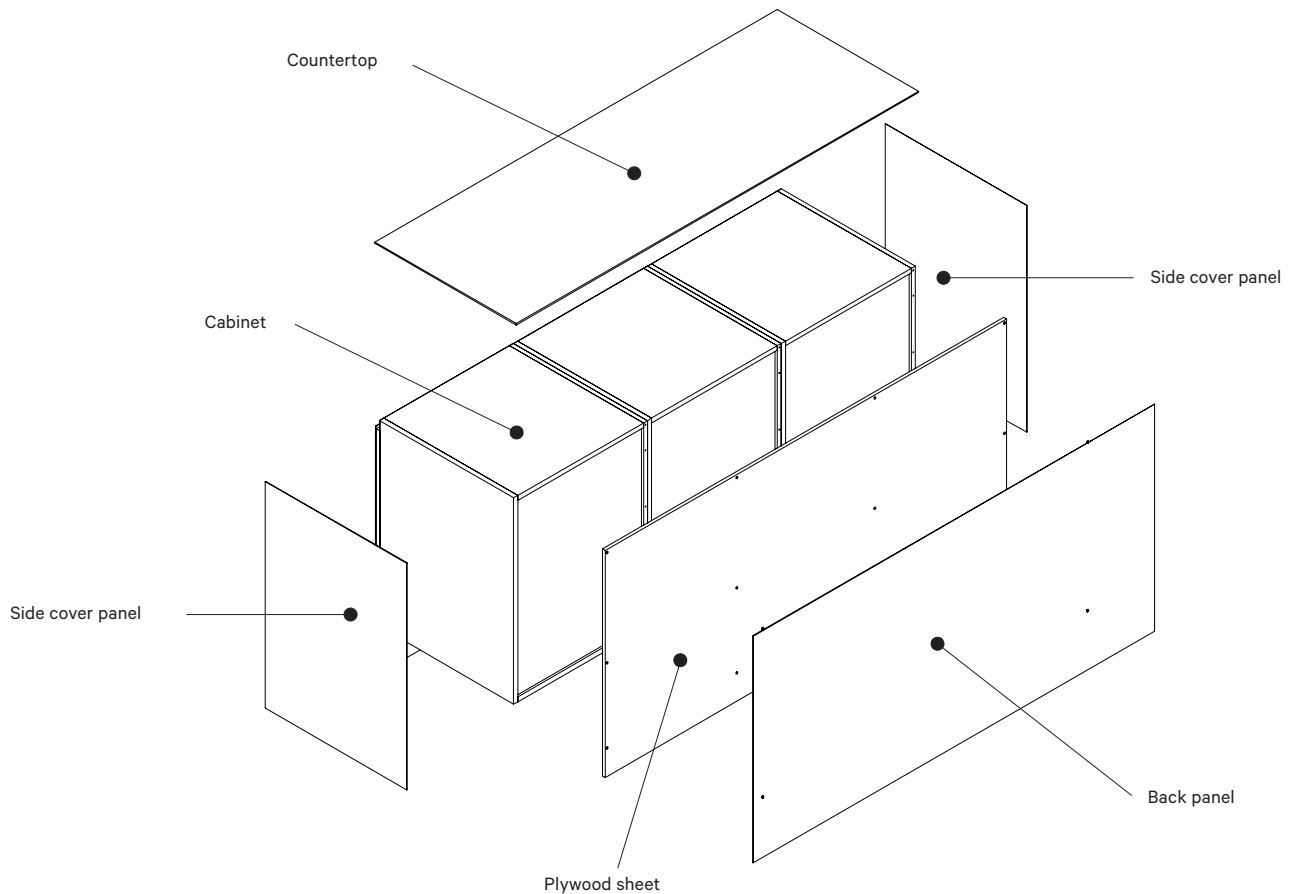
BACK PANEL FASTENING FOR KITCHEN ISLAND

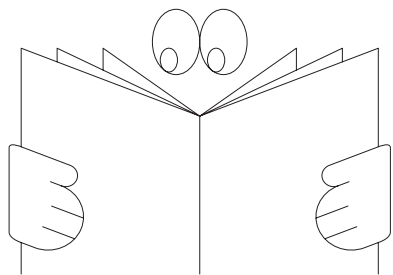
When installing a PLATE back panel on a kitchen island, it is important to support the thin aluminium cover panel properly. This is done by mounting a sheet of plywood with a thickness of minimum 12 mm / 1/2" between the cabinets and the PLATE back panel.

Please note that the side cover panels as well as the countertop need to be ordered in a custom size that covers the additional sheet of plywood.

For this installation you need:

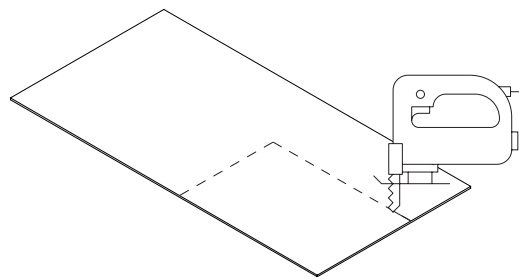
- A sheet of plywood (min. thickness of 12 mm / 1/2") (not included)
- Long countersunk chipboard screws (not included)





1

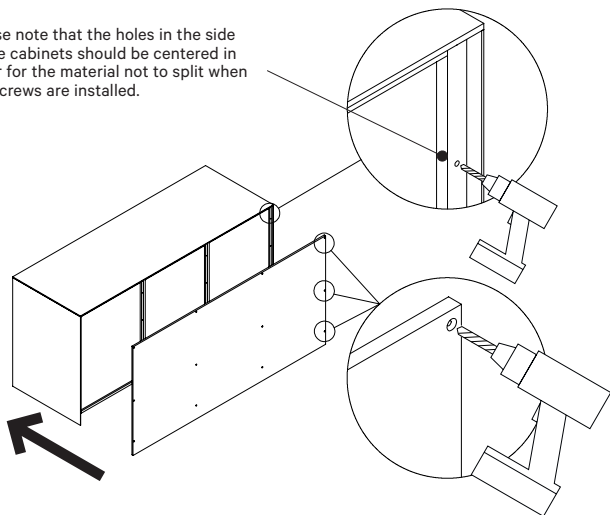
Follow the section about cover panels in the General installation guide "XXB-D-CAB99-DOC001".



2

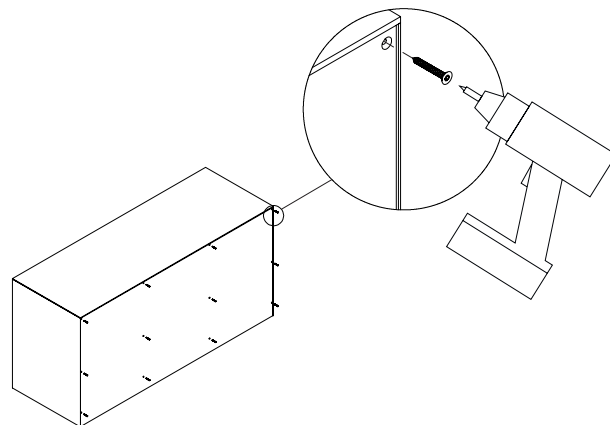
Trace the size of the back panel onto the sheet of plywood and cut it. The sheet of plywood should be a bit smaller than the cover panel in order to fit in between the two cover panels on each end of the kitchen island.

Please note that the holes in the side of the cabinets should be centered in order for the material not to split when the screws are installed.



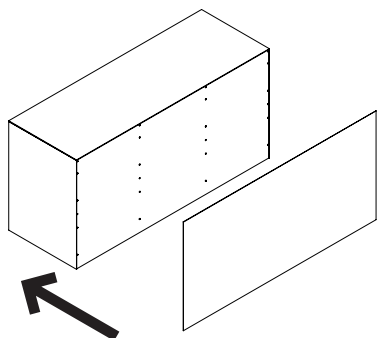
3

Pre-drill holes for the fastening screws in both the cabinets and the plywood sheet. It is recommended to drill 3x holes in a vertical line from the back and into the side of the cabinet for every 60 cm / 2 3/8" in width.



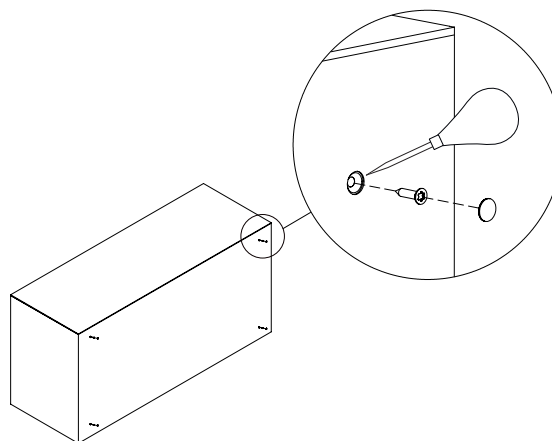
4

Fasten the sheet of plywood onto the back of the cabinets using long countersunk chipboard screws. Make sure the screws are not protruding the surface of the plywood.



5

The PLATE cover panels have pre-mounted double sided tape. Remove the covering film from the tape, and fasten the cover panel to the plywood sheet.



6

Prepare the holes using a center punch. Fasten the screws and apply the cover sticker.