

INSTALLATION GUIDE COLUMN HANDLE



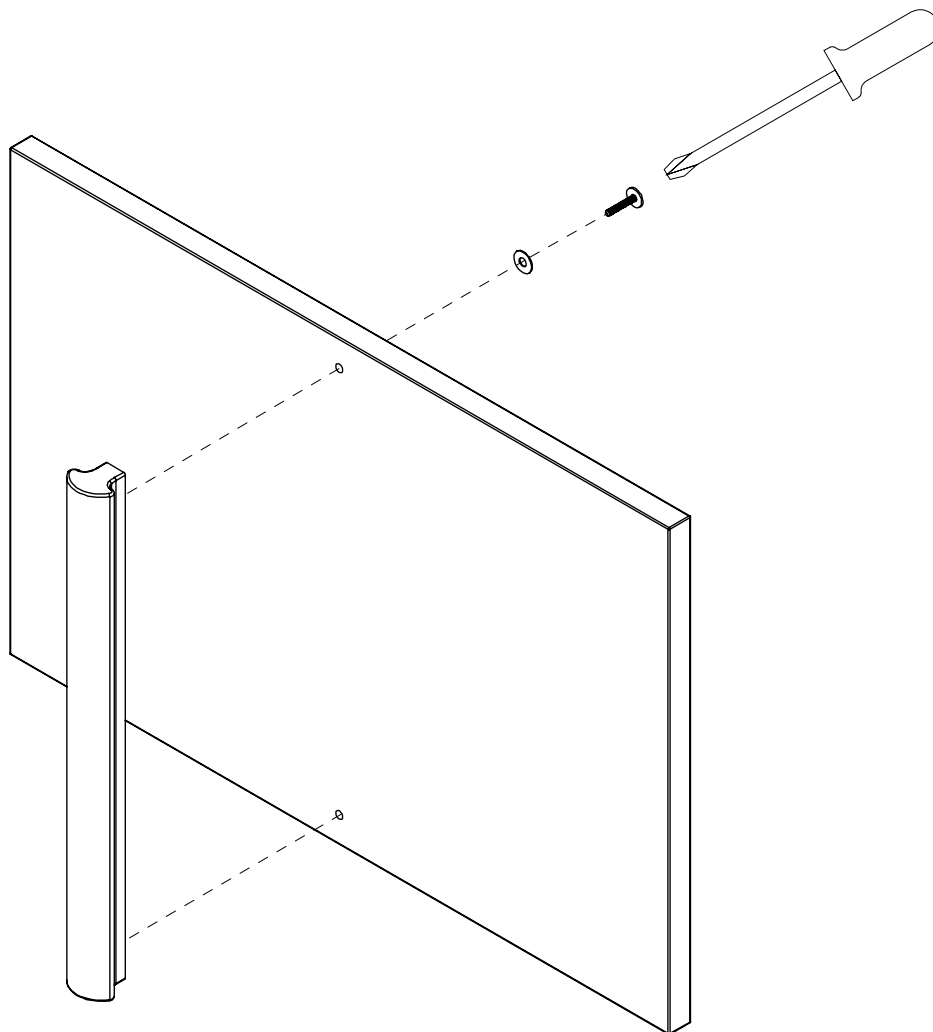
1x



2x-5x



2x-5x



1

Fasten the screws through the washers and into the handle.
Adjust the handle to align it with your remaining fronts.