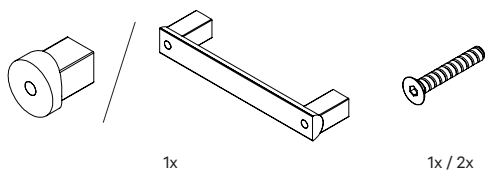


INSTALLATION GUIDE

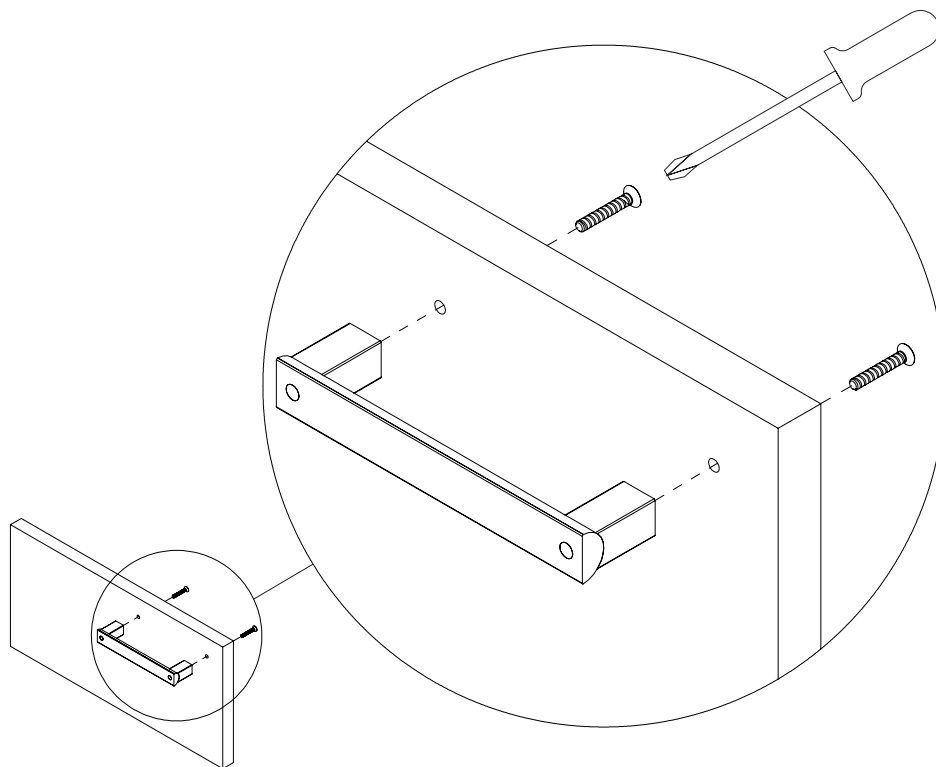
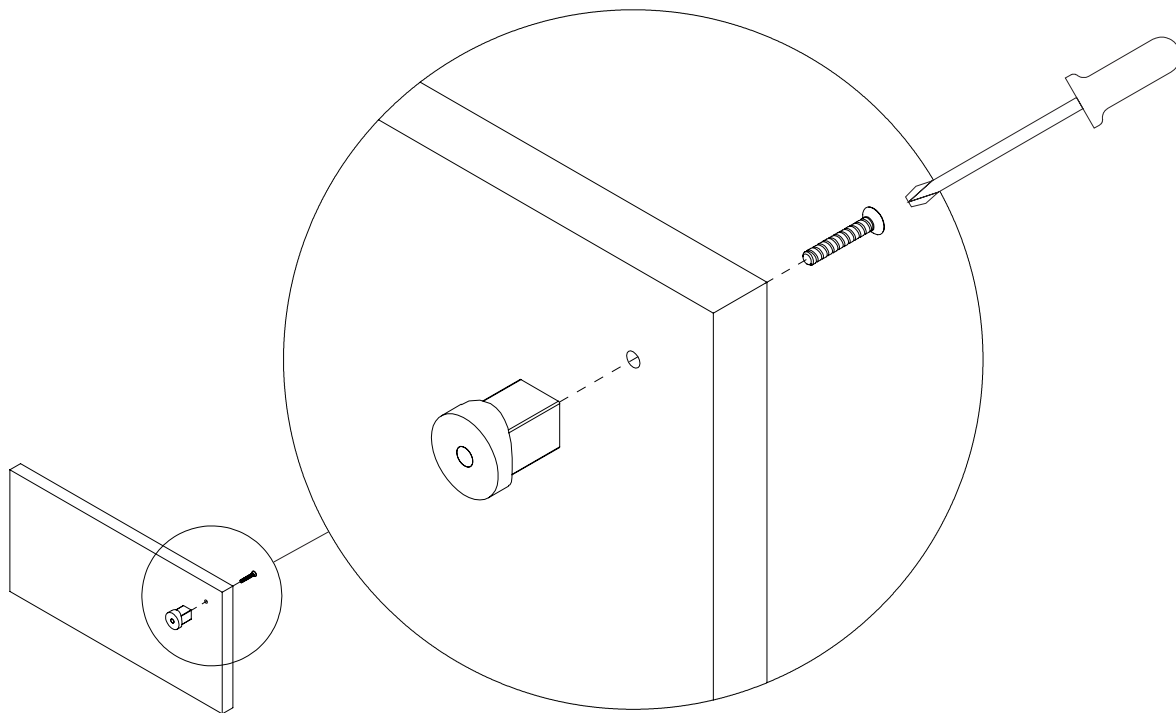
WOOD HANDLE BY MARIA BRUUN



WARNING!

Do not step on the handle. Do not hang or apply unnecessary force to the handle. Keep spare parts away from the children. Remove immediately if handle fails. Not for commercial use.

If handles are used on appliance doors, replace the screws with from the package "UNI-P-ACC03-MIS017".



1

Fasten the handle by hand using a manual screw driver.