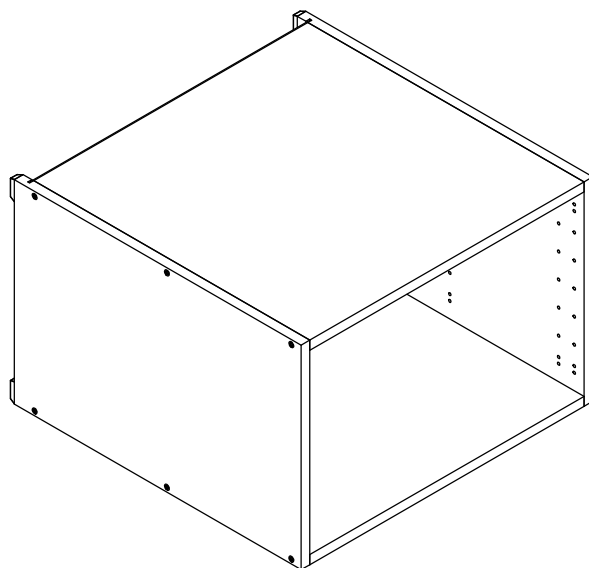


# PRODUCT ASSEMBLY GUIDE

## UPPER CABINET



**English**

Important information.

Read carefully. Follow each step of the instruction carefully.

Keep this information for further reference.

**WARNING**

**Serious or fatal crushing injuries can occur from furniture tip-over. To prevent this furniture from tipping over it must be permanently fixed to the wall with the included wall attachment devices.**

Fastening devices for the wall are not included since different wall materials require different types of fastening devices. Use fastening devices suitable for the walls in your home. For advice on suitable fastening devices, contact your local specialized dealer.

Safety recommendation:

- Place heaviest items in the lowest drawers.
- Prevent children from climbing or hanging on the drawers, doors or shelves.

**Dansk**

Vigtige oplysninger.

Læs omhyggeligt. Følg de enkelte trin i anvisningerne omhyggeligt.

Gem disse oplysninger til senere brug.

**ADVARSEL!**

**Der kan opstå alvorlig eller livsfarlig tilskadekomst, hvis møblet vælter. For at undgå, at møblet vælter, skal det fastgøres permanent til væggen med de medfølgende vægbeslag.**

Forskellige vægmaterialer kræver forskellige skruer og rawplugs. Medfølger ikke. Brug skruer og rawplugs, der passer til væggene i dit hjem. Hvis du er i tvivl om, hvilken type skruer/rawplugs du skal bruge, skal du kontakte et byggemarked.

**Deutch**

Wichtige information.

Sorgfältig lesen. Jeden Schritt der Anleitung sorgfältig befolgen.

Diese Information aufbewahren.

**ACHTUNG**

**Wenn Möbelstücke umkippen, können ernste oder lebensgefährliche Verletzungen durch Einklemmen die Folge sein. Um zu verhindern, dass dieses Möbelstück umkippt, muss es mit der beigegepackten Vorrichtung zur Wandbefestigung fest an der Wand verankert werden.**

Beschläge für die Wandbefestigung sind nicht beigegepackt, da sie von der Beschaffenheit der Wand und des Untergrundmaterials abhängig sind. Befestigungsbeschläge benutzen, die für die heimischen Wände geeignet sind. Bei diesbezüglichen Fragen den.

**Français**

Information importante.

Lire attentivement. Suivre soigneusement chacune des étapes de ces instructions. Conserver ces instructions pour une utilisation ultérieure.

**ATTENTION**

**Risque de blessure grave ou mortelle en cas de basculement du meuble. Pour éviter que le meuble ne bascule, il faut le fixer au mur de façon permanente à l'aide des pièces pour fixation incluses.**

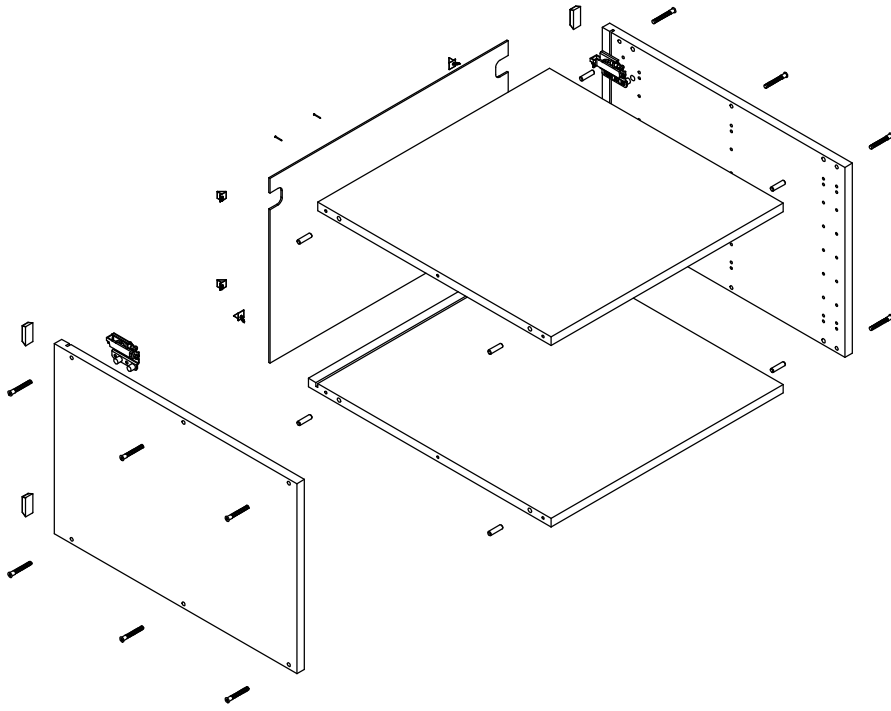
Les vis ne sont pas incluses car leur choix dépend du matériau du mur sur lequel est fixé le meuble. Utilisez des vis adaptées au matériau du mur. Pour obtenir des conseils sur les vis à utiliser, adressez-vous à un vendeur spécialisé.

# UPPER CABINET

We've created this guide to help you assemble your new Reform cabinets in a quick and simple way.

Please note that the assembly should be performed by qualified individuals. Follow the steps outlined in the following pages to assemble the basis for your new kitchen, wardrobe or storage.

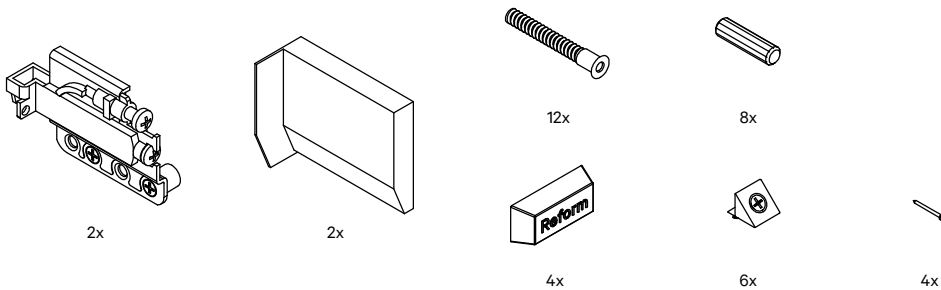
We recommend assembling the product on a carpet or a similar surface that provides shock-absorption and a firm footing.



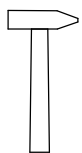
## HARDWARE REQUIRED

HARDWARE PACKAGES

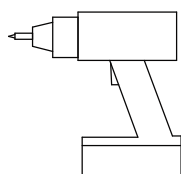
(SKU: UNI-P-ACC01-HRD2x2d)



## TOOLS & EQUIPMENT REQUIRED



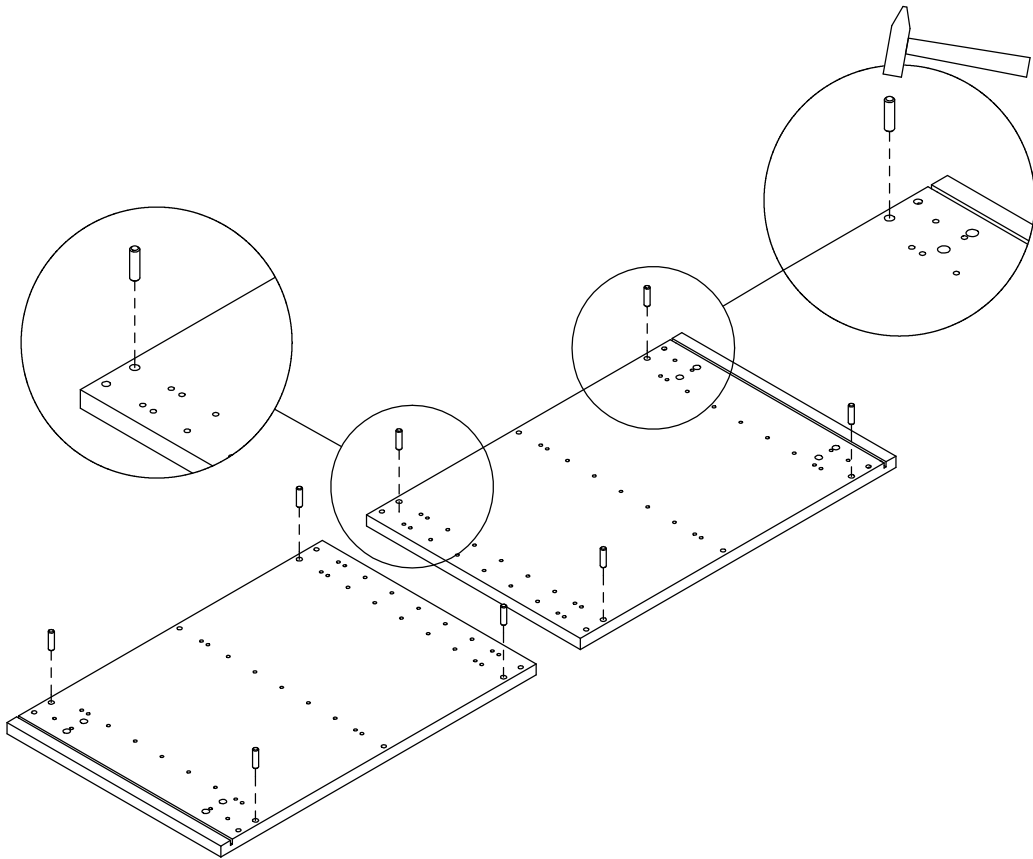
HAMMER



ELECTRIC SCREWDRIVER

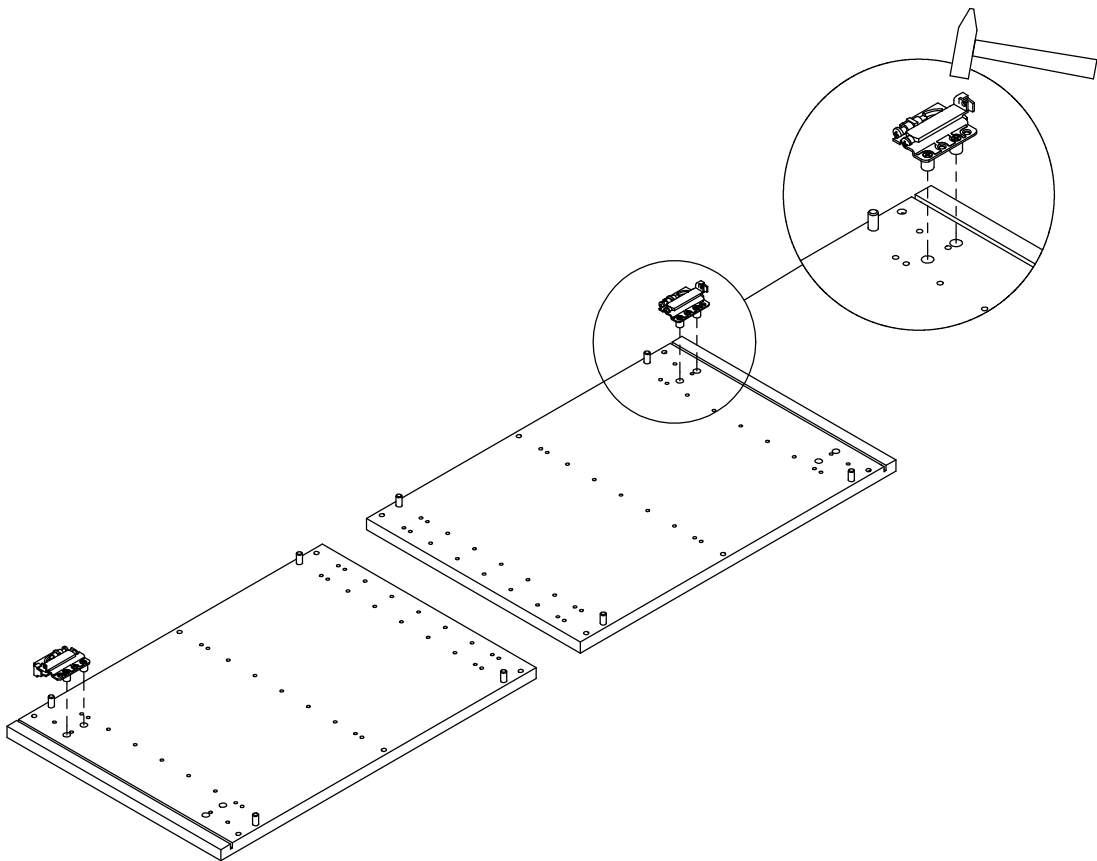


MEASURING TAPE



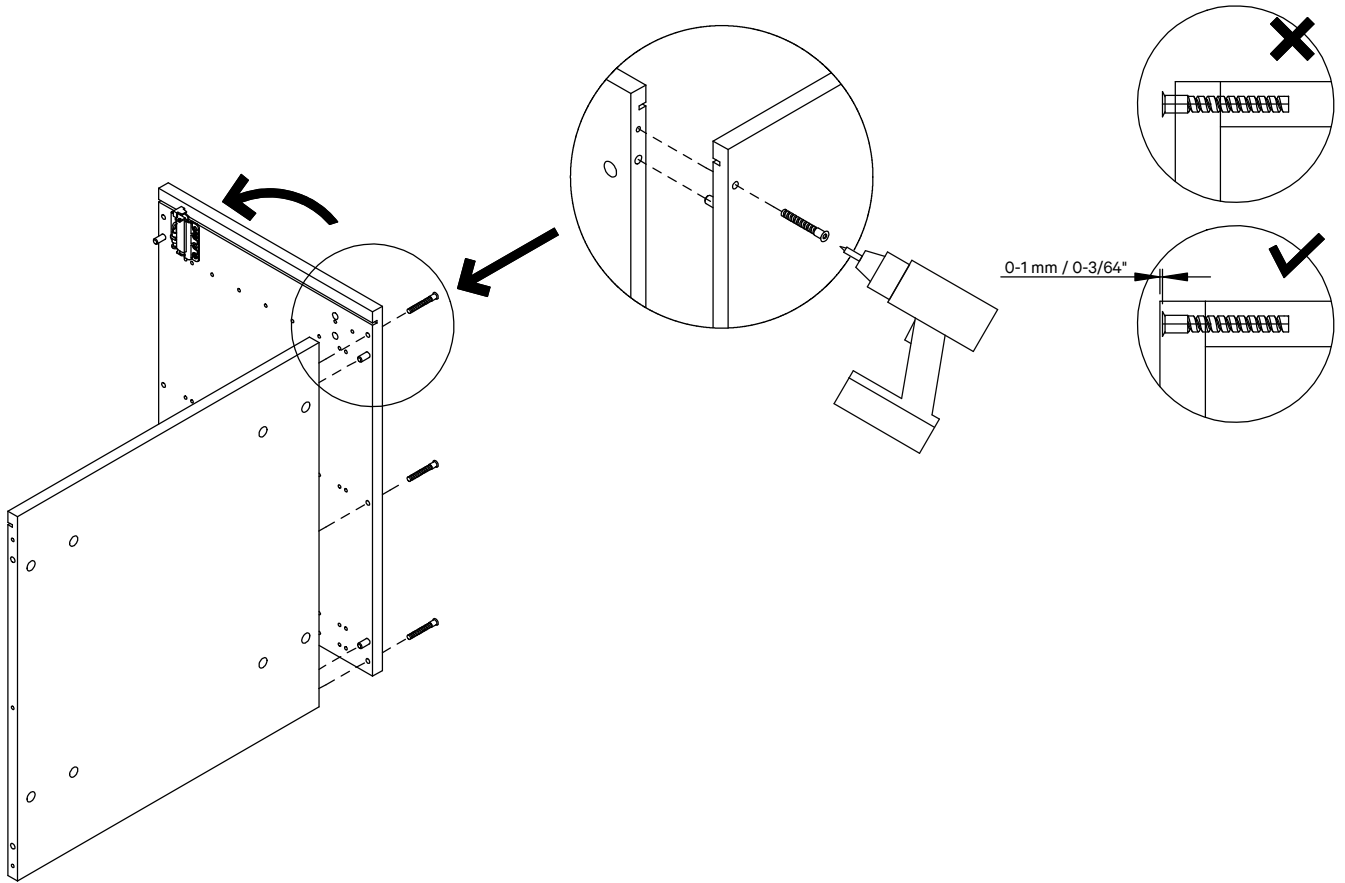
1

Place both side panels on the floor. Insert dowels using a hammer.



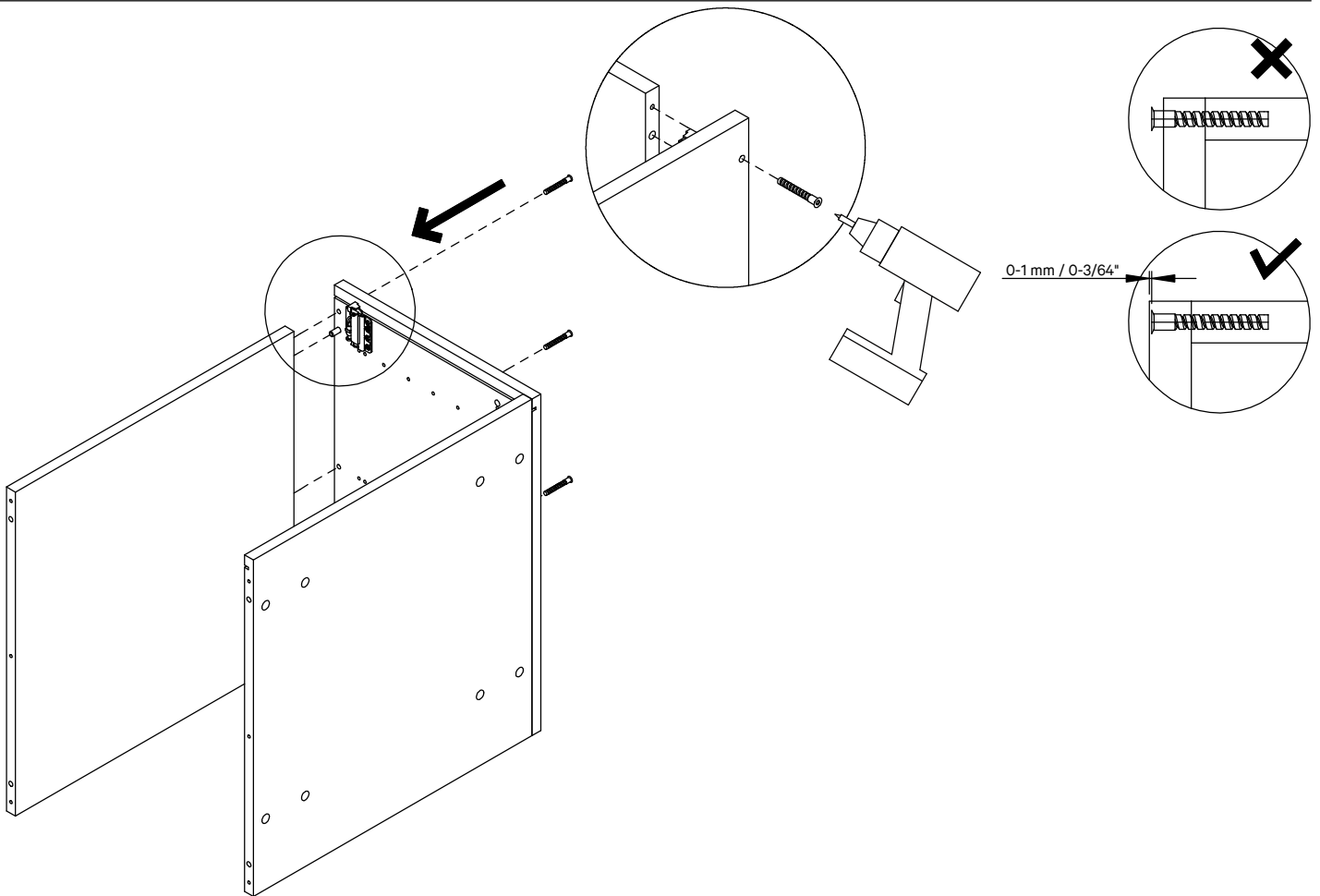
2

Knock in metal hanging brackets that allow to fix the cabinet to the wall.



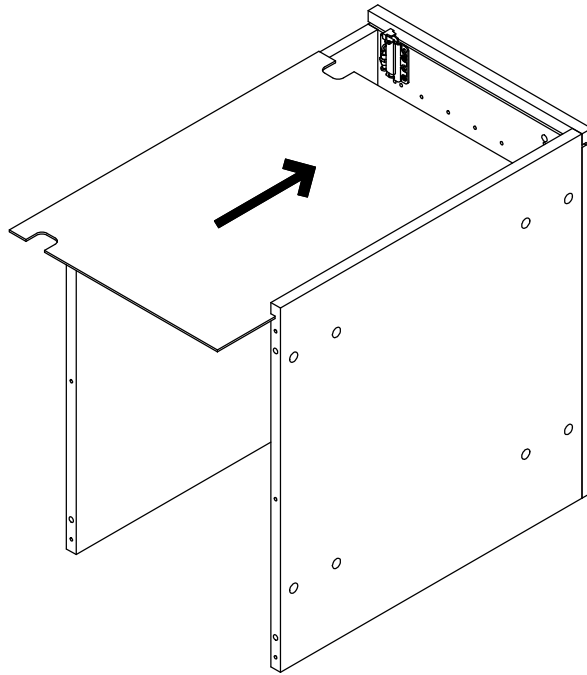
3

Lift one side panel on the side so the groove is facing up. Identify the bottom part by the leg holes and slide it onto the dowels on the opposite side of where you attached the metal hanging brackets. Screw the bottom part using 3 screws. Make sure that the groove is aligned.



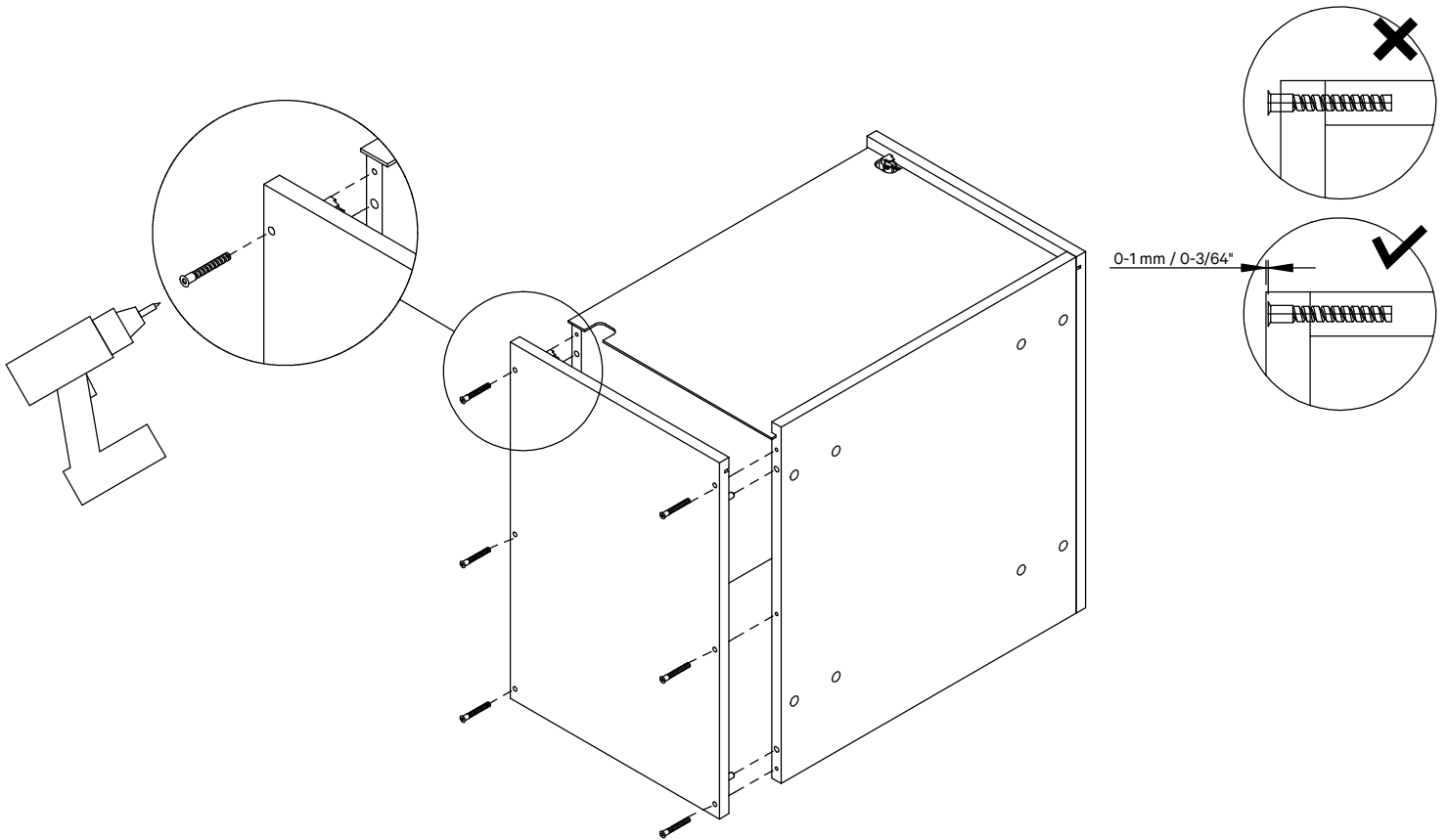
4

Slide the top part onto the dowels. Screw the top part to the side panel using 3 screws.



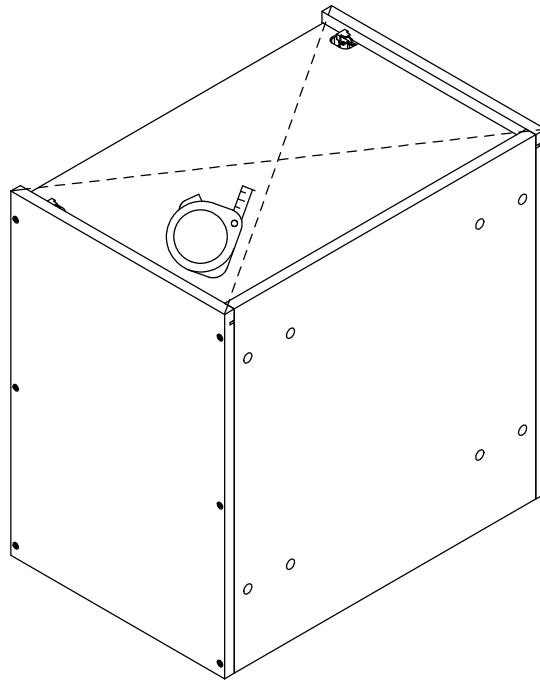
5

Slide the back panel into the groove.



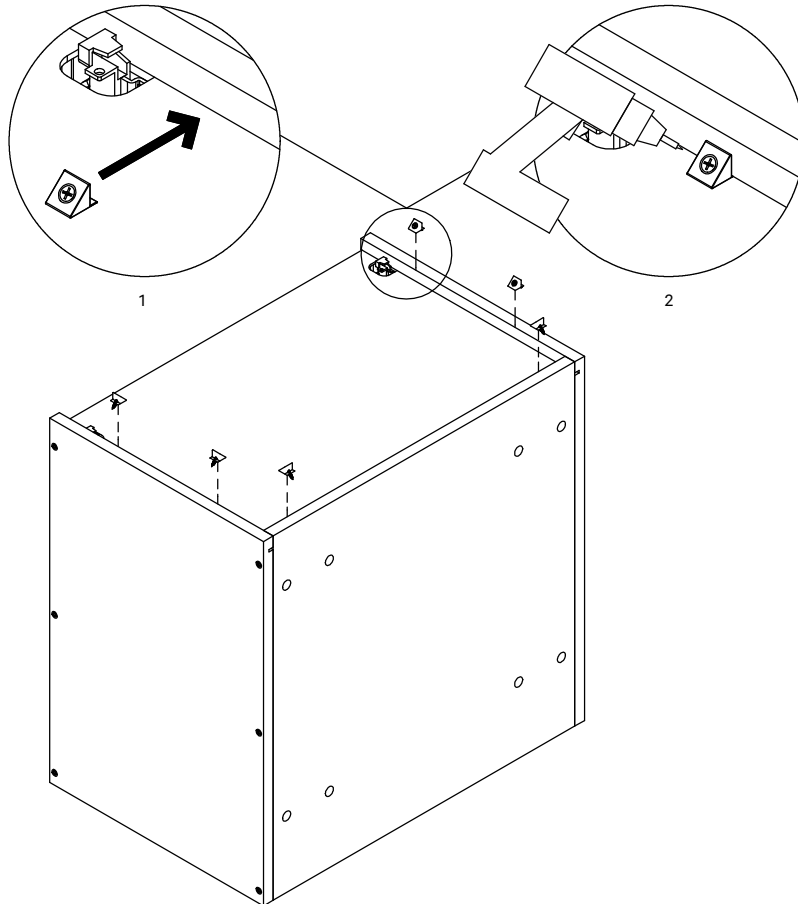
6

Using dowels to guide you, slide the remaining panel and screw it to the top and bottom using 6 screws.



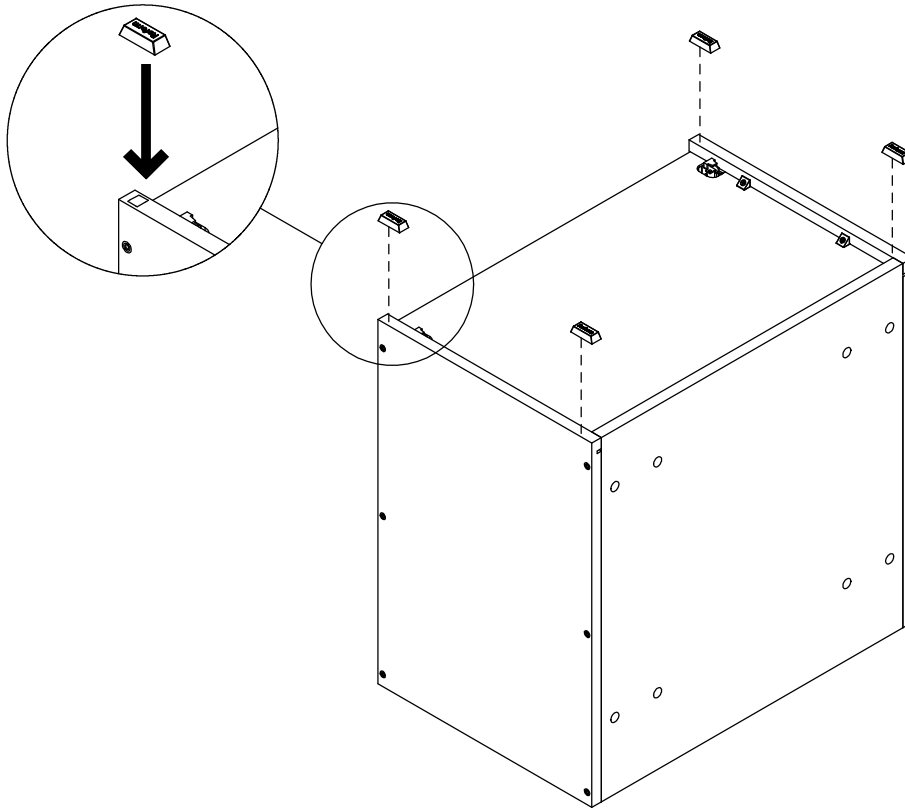
7

Measure diagonals to make sure they are equal.



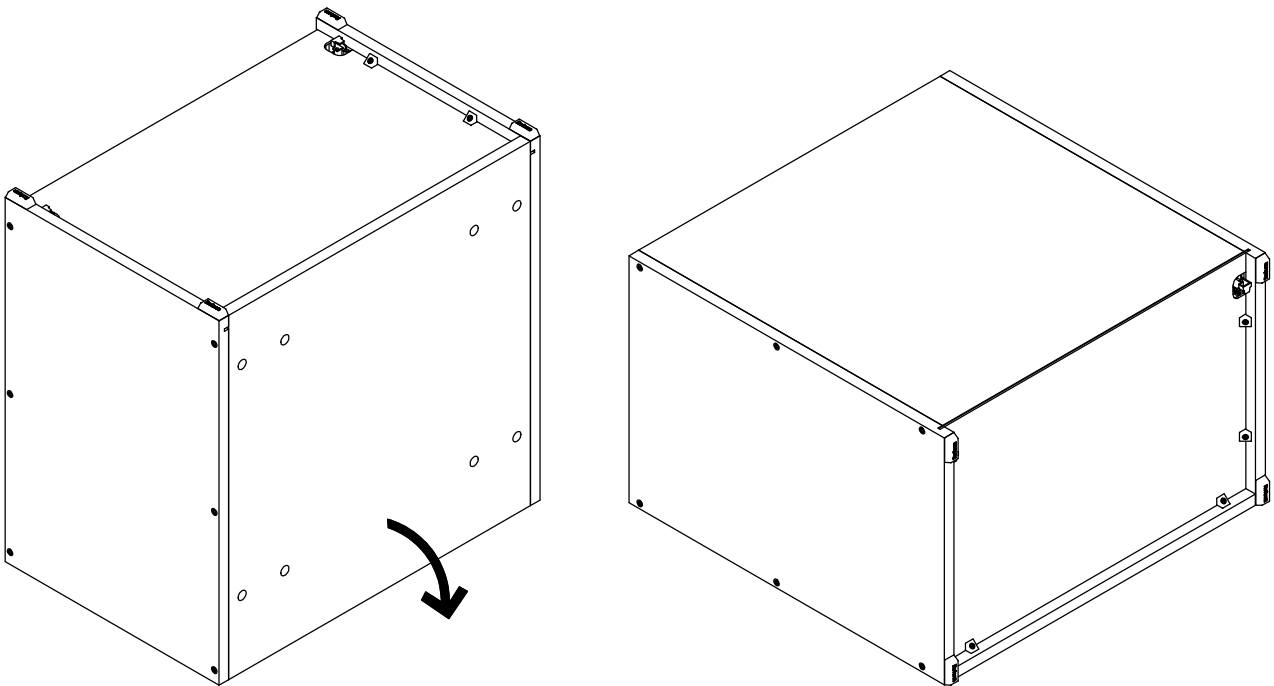
8

Fix the back panel with the corner fixation hardware. Slide the plastic into the groove of the back panel and screw it in. See the illustrations above for placement.



9

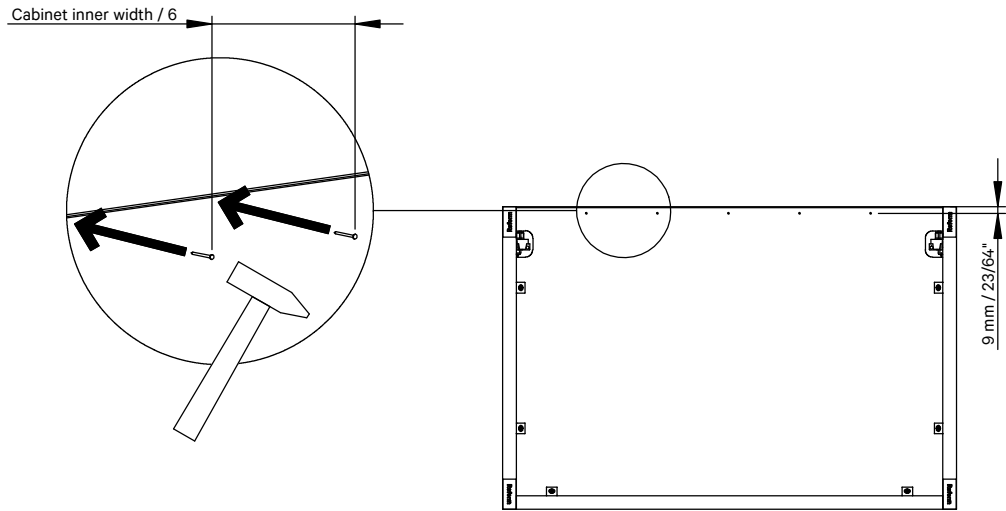
Remove the tape and attach 4 spacers on each corner.



10

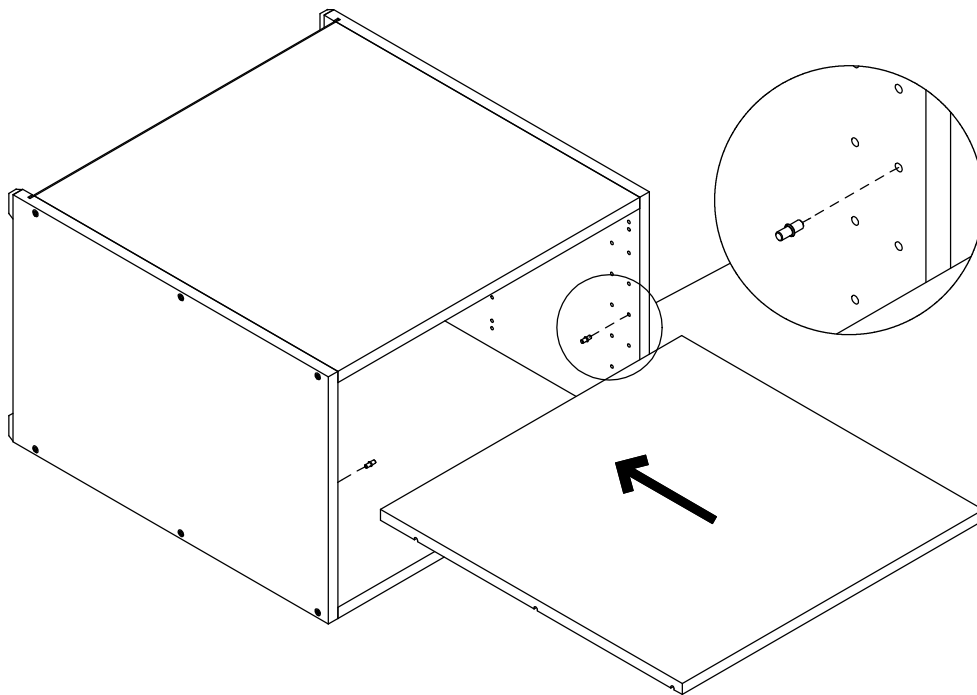
Lift the cabinet up.





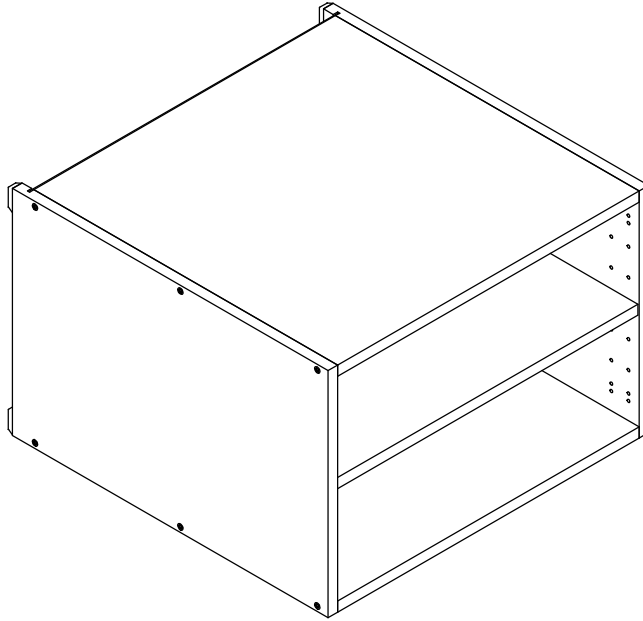
11

Knock in 5 nails. See the illustration above for the nail placement.

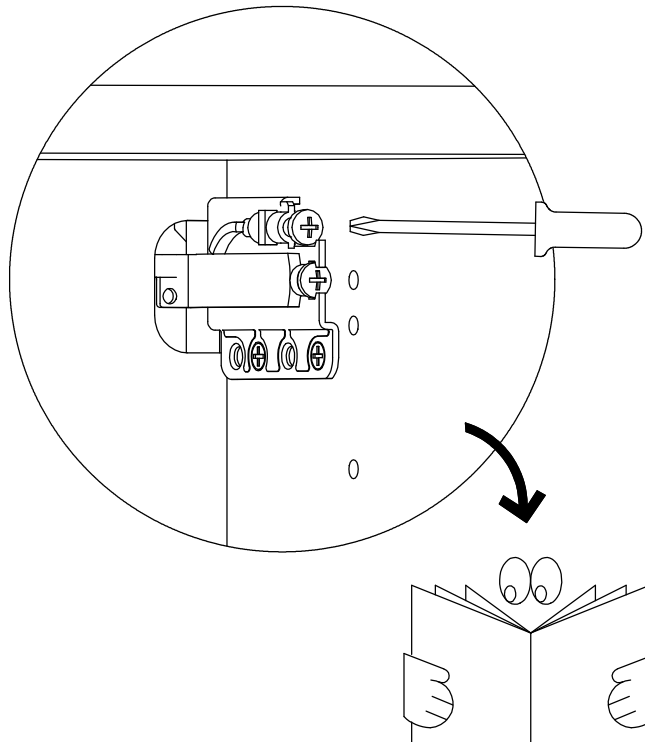


12

If you have any shelves in your cabinet, install it now.



14  
You made it.



See general installation guide on how to fix the cabinet to the wall.